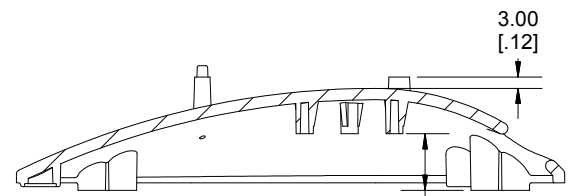
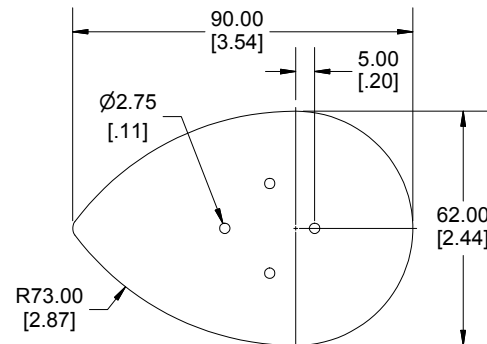


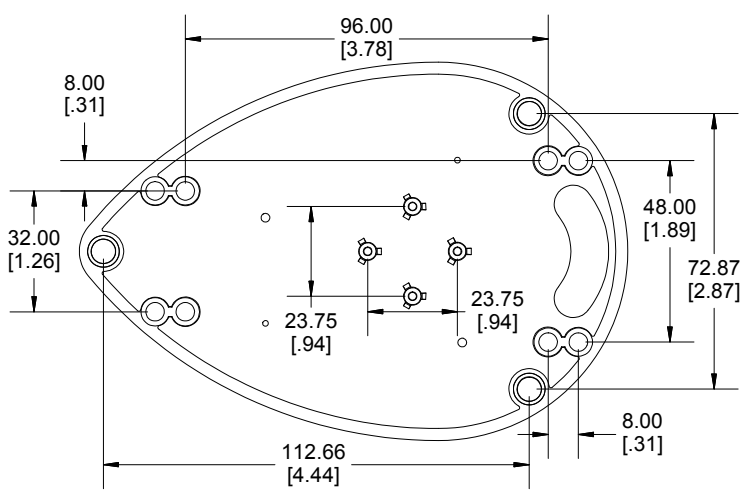
**END VIEW**



**SECTION B-B  
SIDE VIEW**



MAX SIZE PCB. THAT FITS UNDER BASE  
NOT SUPPLIED WITH ASSEMBLY



**BOTTOM VIEW**

Enclosures can be Factory Modified ( Milling, Drilling, Printing etc.)  
Contact Factory [mjm@hammondmgf.com](mailto:mjm@hammondmgf.com) for quotes  
Solid models of this enclosure available in STEP or IGES.

<b>NOTE</b>	
Purchased assembly includes base, 3 rubber feet and 6 screws.	
Molded from General Purpose ABS	
<b>Recommended Screw Torque -- 26-34 ozf.in (20-25 cN.m)</b>	

<b>1593EGG</b>	
<b>1593EGG1</b>	
Translucent Black	1593EGG1TBK
Translucent Blue	1593EGG1TBU
Translucent Purple	1593EGG1TPU
<b>ACCESSORIES</b>	
M2.6 X 6mm self tapping screw	SC519-50
Battery holder kit for 3 AAA cells	BH3AAAW
Battery holder kit for 4 AAA cells	BH4AAAW

Dimensions:  
mm  
[inches]

**HAMMOND  
MANUFACTURING®**

**1593HAMEGG1**

[www.hammondmgf.com](http://www.hammondmgf.com)