

TTC-6-TVSD-C-12DC-PT-I - Surge protection device



2906847

<https://www.phoenixcontact.com/us/products/2906847>

Please be informed that the data shown in this PDF document is generated from our online catalog. Please find the complete data in the user documentation. Our general terms of use for downloads are valid.



Fine surge protection with integrated status indicator for a signal wire with grounded reference potential.

Your advantages

- Space-saving and cost-saving with a narrow overall width of just 6 mm
- Continuous monitoring of protective devices, plus mechanical status indicator with optional remote signaling
- Finding the right product for all possible requirements in MCR applications is easy, thanks to the complete range of products with customized features

Commercial data

| | |
|--------------------------------------|---------------------|
| Item number | 2906847 |
| Packing unit | 1 pc |
| Minimum order quantity | 1 pc |
| Sales key | CL23 |
| Product key | CL2265 |
| Catalog page | Page 148 (C-4-2019) |
| GTIN | 4055626137032 |
| Weight per piece (including packing) | 27.5 g |
| Weight per piece (excluding packing) | 27.5 g |
| Customs tariff number | 85363010 |
| Country of origin | DE |

2906847

<https://www.phoenixcontact.com/us/products/2906847>

Technical data

Product properties

| | |
|--------------------------------|-------------------------------------|
| IEC test classification | C1 |
| | C3 |
| Type | DIN rail module, one-piece |
| Product type | Surge protection for MCR technology |
| Product family | TERMITRAB complete |
| Surge protection fault message | optical |

Insulation characteristics

| | |
|----------------------|-----|
| Overvoltage category | III |
| Pollution degree | 2 |

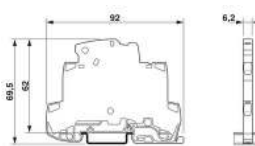
Electrical properties

| | |
|-----------------------|---------|
| Nominal voltage U_N | 12 V DC |
|-----------------------|---------|

Connection data

| | |
|----------------------------------|---------------------------------------------|
| Connection method | Push-in connection |
| Conductor cross section flexible | 0.2 mm ² ... 2.5 mm ² |
| Conductor cross section rigid | 0.2 mm ² ... 4 mm ² |
| Conductor cross section AWG | 24 ... 12 |

Dimensions

| | |
|---------------------|--------------------------------------------------------------------------------------|
| Dimensional drawing |  |
| Width | 6.2 mm |
| Height | 92 mm |
| Depth | 69.5 mm (incl. DIN rail 7.5 mm) |

Material specifications

| | |
|----------------------------------------|-----|
| Flammability rating according to UL 94 | V-0 |
| Insulating material | PBT |
| Housing material | PBT |

Mechanical properties

Mechanical data

| | |
|-----------------|-----|
| Open side panel | Yes |
|-----------------|-----|

Protective circuit

| | |
|---------------------|-------------------|
| Direction of action | Line-Earth Ground |
|---------------------|-------------------|

TTC-6-TVSD-C-12DC-PT-I - Surge protection device



2906847

<https://www.phoenixcontact.com/us/products/2906847>

| | |
|-------------------------------------------------------------------|-----------------------------------------------|
| Maximum continuous voltage U_C | 15 V DC |
| | 10 V AC |
| Rated current | 10 A (60 °C) |
| Operating effective current I_C at U_C | $\leq 5 \mu A$ |
| Residual current I_{PE} | $\leq 5 \mu A$ |
| Nominal discharge current I_n (8/20) μs (line-ground) | 300 A |
| Voltage protection level U_p (line-earth) | ≤ 25 V (C1 - 0,6 kV / 300 A) |
| | ≤ 22 V (C3 - 25 A) |
| | ≤ 25 V (C3 - 60 A) |
| Response time t_A (line-earth) | ≤ 1 ns |
| Input attenuation aE, asym. | typ. 0.3 dB (≤ 340 kHz / 150 Ω) |
| Cut-off frequency f_g (3 dB), asym. (PE) in 150 Ω system | typ. 1.1 MHz |
| Capacity (Core-Earth) | 2 nF |
| Resistance per path | ≤ 100 m Ω |
| Surge protection fault message | optical |
| Impulse durability (line-earth) | C1 - 0.6 kV/300 A |
| | C3 - 60 A |

Environmental and real-life conditions

Ambient conditions

| | |
|-----------------------------------------|-----------------------|
| Degree of protection | IP20 (with end cover) |
| Ambient temperature (operation) | -40 °C ... 85 °C |
| Ambient temperature (storage/transport) | -40 °C ... 85 °C |
| Altitude | ≤ 4000 m (amsl) |
| Permissible humidity (operation) | 5 % ... 95 % |

Standards and regulations

| | |
|--------------------------|-------------------------------------------------------|
| Standards/specifications | IEC 61643-21 |
| Note | 2000 + corrigendum 2001 + A1:2008, modified + A2:2012 |

EN 61643-21

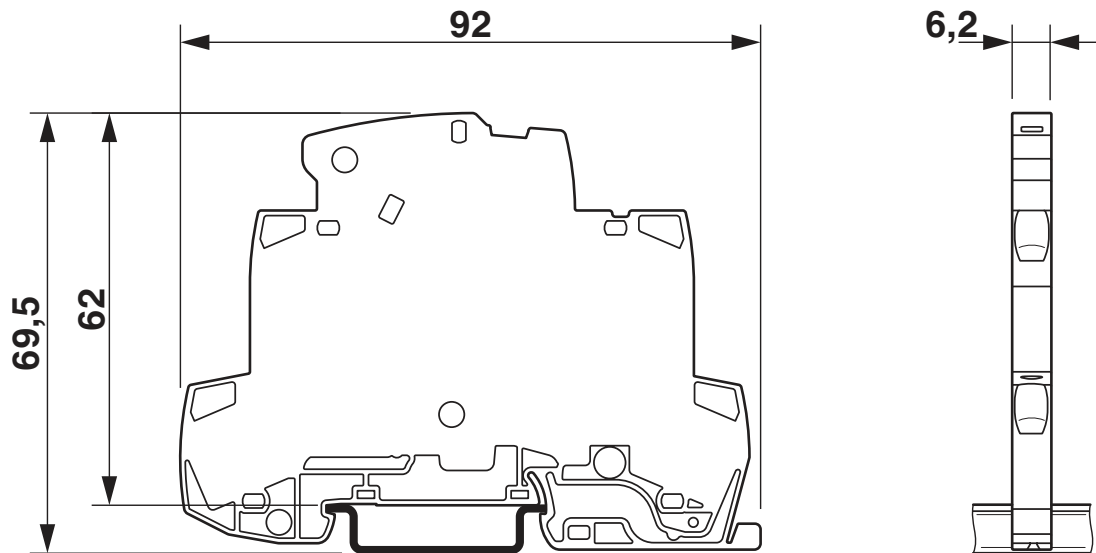
| | |
|--------------------------|--------------------------|
| Standards/specifications | EN 61643-21 |
| Note | 2001 + A1:2009 + A2:2013 |

Mounting

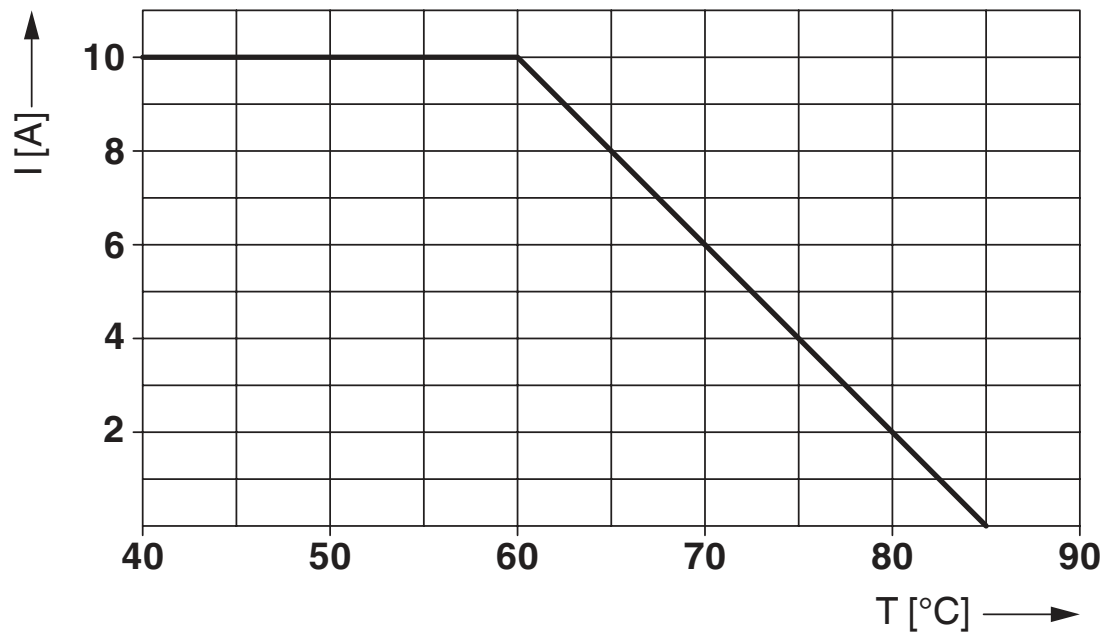
| | |
|---------------|-----------------|
| Mounting type | DIN rail: 35 mm |
|---------------|-----------------|

Drawings

Dimensional drawing



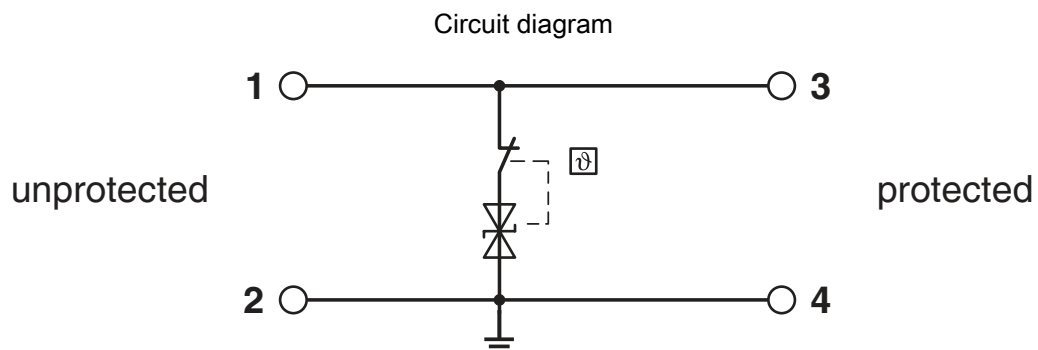
Diagram



TTC-6-TVSD-C-12DC-PT-I - Surge protection device

2906847

<https://www.phoenixcontact.com/us/products/2906847>



2906847

<https://www.phoenixcontact.com/us/products/2906847>

Approvals

🔗 To download certificates, visit the product detail page: <https://www.phoenixcontact.com/us/products/2906847>



CSA

Approval ID: 70136717



DNV GL

Approval ID: TAE000027G



UL Listed

Approval ID: FILE E 138168



CSAus

Approval ID: 70136717

UAE-RoHS

Approval ID: 22-06-16783

cCSAus

TTC-6-TVSD-C-12DC-PT-I - Surge protection device



2906847

<https://www.phoenixcontact.com/us/products/2906847>

Classifications

ECLASS

| | |
|-------------|----------|
| ECLASS-11.0 | 27130807 |
| ECLASS-13.0 | 27171501 |

ETIM

| | |
|----------|----------|
| ETIM 8.0 | EC000943 |
|----------|----------|

UNSPSC

| | |
|-------------|----------|
| UNSPSC 21.0 | 39121600 |
|-------------|----------|

TTC-6-TVSD-C-12DC-PT-I - Surge protection device



2906847

<https://www.phoenixcontact.com/us/products/2906847>

Environmental product compliance

| | |
|------------|--------------------------------------------------------------------------------------------------------------|
| REACH SVHC | Lead 7439-92-1 |
| China RoHS | Environmentally Friendly Use Period = 50 years |
| | For information on hazardous substances, refer to the manufacturer's declaration available under "Downloads" |

2906847

<https://www.phoenixcontact.com/us/products/2906847>

Accessories

ZBF 6 CUS - Zack Marker strip, flat

0825027

<https://www.phoenixcontact.com/us/products/0825027>



Zack Marker strip, flat, Strip, can be ordered: Strip, white, labeled according to customer specifications, mounting type: snap into flat marker groove, for terminal block width: 6.2 mm, lettering field size: 5.15 x 6.15 mm, Number of individual labels: 10

ZBF 6:UNBEDRUCKT - Zack Marker strip, flat

0808710

<https://www.phoenixcontact.com/us/products/0808710>



Zack Marker strip, flat, Strip, white, unlabeled, can be labeled with: PLOTMARK, CMS-P1-PLOTTER, mounting type: snapped, for terminal block width: 6.2 mm, lettering field size: 5.15 x 6.15 mm, Number of individual labels: 10

2906847

<https://www.phoenixcontact.com/us/products/2906847>

ZBF 6/WH-100:UNBEDRUCKT - Zack Marker strip, flat

0808736

<https://www.phoenixcontact.com/us/products/0808736>



Zack Marker strip, flat, Strip, white, unlabeled, can be labeled with: PLOTMARK, CMS-P1-PLOTTER, mounting type: snapped, for terminal block width: 6.2 mm, lettering field size: 5.15 x 6.15 mm, Number of individual labels: 1000

ZBF 6,QR:FORTL.ZAHLEN - Zack Marker strip, flat

0808765

<https://www.phoenixcontact.com/us/products/0808765>



Zack Marker strip, flat, Strip, white, labeled, Printed vertically: consecutive numbers 1 ... 10, 11 ... 20, etc. up to 91 ... 100, mounting type: snapped, for terminal block width: 6.2 mm, lettering field size: 5.15 x 6.15 mm, Number of individual labels: 10

TTC-6-TVSD-C-12DC-PT-I - Surge protection device



2906847

<https://www.phoenixcontact.com/us/products/2906847>

CLIPFIX 35-5 - End clamp

3022276

<https://www.phoenixcontact.com/us/products/3022276>



Quick mounting end clamp for NS 35/7,5 DIN rail or NS 35/15 DIN rail, with marking option, with parking option for FBS...5, FBS...6, KSS 5, KSS 6, width: 5.15 mm, color: gray

TTC-6-FMRS-PT - Remote signaling set

2907811

<https://www.phoenixcontact.com/us/products/2907811>



Module set for the optical monitoring and floating remote signaling of adjacent surge protective devices in the TERMITRAB complete or CLIXTRAB product family. Suitable for directly grounded DIN rails.

TTC-6-TVSD-C-12DC-PT-I - Surge protection device



2906847

<https://www.phoenixcontact.com/us/products/2906847>

TTC-6-LCP - Cover

2908729

<https://www.phoenixcontact.com/us/products/2908729>



End cover for terminating a row of TERMITRAB complete TTC-6... terminal blocks

SSA 3-6 - Shield connection

2839295

<https://www.phoenixcontact.com/us/products/2839295>



Shield fast connection for 3 ... 6 mm cable diameter. Potential connecting cable: 200 mm, 1 mm², color: black

TTC-6-TVSD-C-12DC-PT-I - Surge protection device



2906847

<https://www.phoenixcontact.com/us/products/2906847>

SSA 5-10 - Shield connection

2839512

<https://www.phoenixcontact.com/us/products/2839512>



Shield fast connection for 5 ... 10 mm cable diameter. Potential connecting cable: 200 mm, 1 mm², color: black

X-PEN 0,35 - Marker pen

0811228

<https://www.phoenixcontact.com/us/products/0811228>



Marker pen without ink cartridge, for manual labeling of markers, labeling extremely wipe-proof, line thickness 0.35 mm

Phoenix Contact 2023 © - all rights reserved
<https://www.phoenixcontact.com>

Phoenix Contact USA
586 Fulling Mill Road
Middletown, PA 17057, United States
(+717) 944-1300
info@phoenixcon.com