

# HC-Q-I-RJ45 GC-F/F - Contact insert



1422590

<https://www.phoenixcontact.com/us/products/1422590>

Please be informed that the data shown in this PDF document is generated from our online catalog. Please find the complete data in the user documentation. Our general terms of use for downloads are valid.



Contact insert, number of positions: RJ45, size: D7, type : RJ45, Socket, 50 V, 1 A, application: Data, Gender changer

## Commercial data

Item number	1422590
Packing unit	1 pc
Minimum order quantity	1 pc
Sales key	BF61
Product key	BF7ABJ
Catalog page	Page 513 (C-2-2019)
GTIN	4055626328393
Weight per piece (including packing)	17.8 g
Weight per piece (excluding packing)	15 g
Customs tariff number	85366990
Country of origin	CN

# HC-Q-I-RJ45 GC-F/F - Contact insert

1422590

<https://www.phoenixcontact.com/us/products/1422590>

## Technical data

### Notes

General	Use the patch cable from the accessories list.
General	Connectors may be operated only when there is no load/voltage.

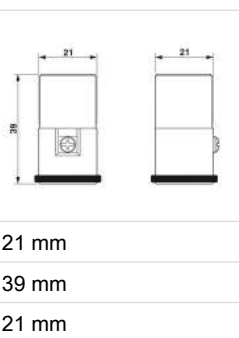
### Product properties

Type	D7
Product type	Contact insert with a fixed no. of positions
Sensor type	Ethernet
Number of positions	8
Connection profile	RJ45
Application	Data
Type	RJ45
Series	HC-Q

### Insulation characteristics

Overvoltage category	III
Degree of pollution	3

### Dimensions

Dimensional drawing	
Width	21 mm
Height	39 mm
Length	21 mm

### Connection data

#### Connection technology

Connection in acc. with standard	IEC / EN
----------------------------------	----------

#### Conductor connection

Tightening torque	0.5 Nm ... 0.8 Nm (Mounting screws for mounting in the HEAVYCON housing)
-------------------	--

### Electrical properties

Rated voltage (III/3)	50 V
Rated surge voltage	0.8 kV
Rated current	1 A
Insulation resistance	100 M $\Omega$
Nominal voltage $U_N$	50 V

# HC-Q-I-RJ45 GC-F/F - Contact insert



1422590

<https://www.phoenixcontact.com/us/products/1422590>

Transmission characteristics (category)	CAT6 <sub>A</sub>
---	-------------------

## Material specifications

Material	PA 6.6
Flammability rating according to UL 94	V0
Contact material	Copper alloy
Contact surface material	Au
Contact carrier material	PC
Standards/regulations	PC: Fire protection in rail vehicles - requirement sets R22, R23, and R24 acc. to DIN EN 45545-2 (Risk level HL1 - HL3)

## Environmental and real-life conditions

### Ambient conditions

Ambient temperature (operation)	-40 °C ... 70 °C
---------------------------------	------------------

## Standards and regulations

### Testing

Standards/regulations	PC: Fire protection in rail vehicles - requirement sets R22, R23, and R24 acc. to DIN EN 45545-2 (Risk level HL1 - HL3)
-----------------------	---

# HC-Q-I-RJ45 GC-F/F - Contact insert

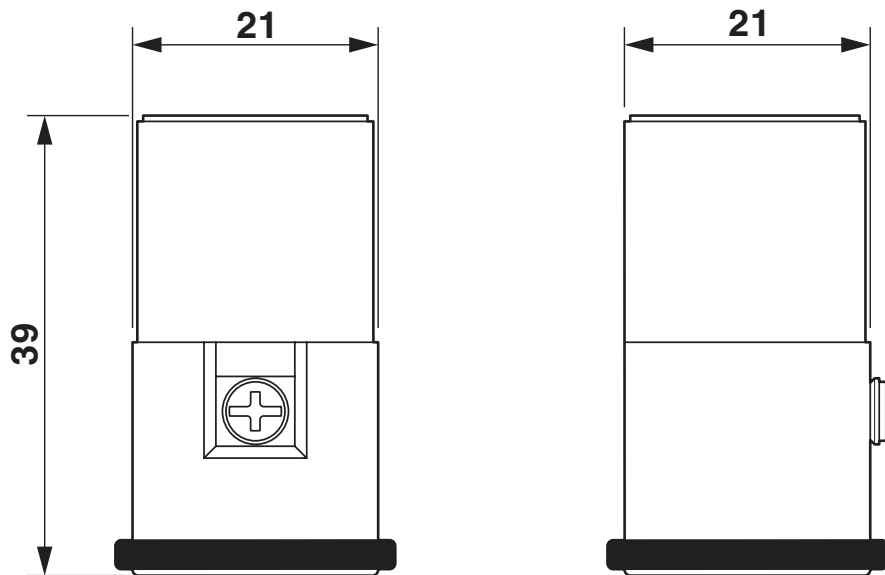


1422590

<https://www.phoenixcontact.com/us/products/1422590>

## Drawings

Dimensional drawing



Dimensional drawing

# HC-Q-I-RJ45 GC-F/F - Contact insert



1422590

<https://www.phoenixcontact.com/us/products/1422590>

## Approvals

To download certificates, visit the product detail page: <https://www.phoenixcontact.com/us/products/1422590>



**EAC**

Approval ID: RU C-DE.BL08.B.00511

# HC-Q-I-RJ45 GC-F/F - Contact insert



1422590

<https://www.phoenixcontact.com/us/products/1422590>

## Classifications

### ECLASS

ECLASS-11.0	27440205
ECLASS-12.0	27440205
ECLASS-13.0	27440205

### ETIM

ETIM 8.0	EC000438
----------	----------

### UNSPSC

UNSPSC 21.0	39121500
-------------	----------

# HC-Q-I-RJ45 GC-F/F - Contact insert



1422590

<https://www.phoenixcontact.com/us/products/1422590>

## Environmental product compliance

China RoHS	Environmentally friendly use period: unlimited = EFUP-e
	No hazardous substances above threshold values

# HC-Q-I-RJ45 GC-F/F - Contact insert

1422590

<https://www.phoenixcontact.com/us/products/1422590>



## Accessories

### HC-D07-SP-RBK - Profile gasket

1419622

<https://www.phoenixcontact.com/us/products/1419622>

Profile gasket, design: D7, for pin inserts



---

### HC-D 7-DS-IP65 - Sealing screw

1686229

<https://www.phoenixcontact.com/us/products/1686229>

Sealing screw, size: Countersunk head, IP67, replacement part for D7 size HEAVYCON housing





# HC-Q-I-RJ45 GC-F/F - Contact insert

1422590

<https://www.phoenixcontact.com/us/products/1422590>



## FL CAT5 PATCH 0,3 - Patch cable

2832250

<https://www.phoenixcontact.com/us/products/2832250>

Patch cable, CAT5, assembled, 0.3 m



---

## FL CAT5 PATCH 0,5 - Patch cable

2832263

<https://www.phoenixcontact.com/us/products/2832263>

Patch cable, CAT5, assembled, 0.5 m



# HC-Q-I-RJ45 GC-F/F - Contact insert

1422590

<https://www.phoenixcontact.com/us/products/1422590>



## FL CAT5 PATCH 1,0 - Patch cable

2832276

<https://www.phoenixcontact.com/us/products/2832276>



Patch cable, CAT5, assembled, 1 m

---

## FL CAT5 PATCH 1,5 - Patch cable

2832221

<https://www.phoenixcontact.com/us/products/2832221>



Patch cable, CAT5, assembled, 1.5 m

# HC-Q-I-RJ45 GC-F/F - Contact insert

1422590

<https://www.phoenixcontact.com/us/products/1422590>



## FL CAT5 PATCH 2,0 - Patch cable

2832289

<https://www.phoenixcontact.com/us/products/2832289>



Patch cable, CAT5, assembled, 2 m

---

## FL CAT5 PATCH 3,0 - Patch cable

2832292

<https://www.phoenixcontact.com/us/products/2832292>



Patch cable, CAT5, assembled, 3 m

# HC-Q-I-RJ45 GC-F/F - Contact insert

1422590

<https://www.phoenixcontact.com/us/products/1422590>



## FL CAT5 PATCH 5,0 - Patch cable

2832580

<https://www.phoenixcontact.com/us/products/2832580>



Patch cable, CAT5, assembled, 5 m

---

## FL CAT5 PATCH 7,5 - Patch cable

2832616

<https://www.phoenixcontact.com/us/products/2832616>



Patch cable, CAT5, assembled, 7.5 m

# HC-Q-I-RJ45 GC-F/F - Contact insert

1422590

<https://www.phoenixcontact.com/us/products/1422590>



## FL CAT5 PATCH 10,0 - Patch cable

2832629

<https://www.phoenixcontact.com/us/products/2832629>



Patch cable, CAT5, assembled, 10 m

---

## FL CAT6 PATCH 0,3 - Patch cable

2891181

<https://www.phoenixcontact.com/us/products/2891181>



Patch cable, CAT6, preassembled, 0.3 m

# HC-Q-I-RJ45 GC-F/F - Contact insert

1422590

<https://www.phoenixcontact.com/us/products/1422590>



## FL CAT6 PATCH 0,5 - Patch cable

2891288

<https://www.phoenixcontact.com/us/products/2891288>



Patch cable, CAT6, preassembled, 0.5 m

---

## FL CAT6 PATCH 1,0 - Patch cable

2891385

<https://www.phoenixcontact.com/us/products/2891385>



Patch cable, CAT6, preassembled, 1.0 m

# HC-Q-I-RJ45 GC-F/F - Contact insert

1422590

<https://www.phoenixcontact.com/us/products/1422590>



## FL CAT6 PATCH 1,5 - Patch cable

2891482

<https://www.phoenixcontact.com/us/products/2891482>



Patch cable, CAT6, preassembled, 1.5 m

---

## FL CAT6 PATCH 2,0 - Patch cable

2891589

<https://www.phoenixcontact.com/us/products/2891589>



Patch cable, CAT6, preassembled, 2.0 m

# HC-Q-I-RJ45 GC-F/F - Contact insert

1422590

<https://www.phoenixcontact.com/us/products/1422590>



## FL CAT6 PATCH 3,0 - Patch cable

2891686

<https://www.phoenixcontact.com/us/products/2891686>



Patch cable, CAT6, preassembled, 3.0 m

---

## FL CAT6 PATCH 5,0 - Patch cable

2891783

<https://www.phoenixcontact.com/us/products/2891783>



Patch cable, CAT6, preassembled, 5.0 m



# HC-Q-I-RJ45 GC-F/F - Contact insert

1422590

<https://www.phoenixcontact.com/us/products/1422590>



## FL CAT6 PATCH 7,5 - Patch cable

2891880

<https://www.phoenixcontact.com/us/products/2891880>



Patch cable, CAT6, preassembled, 7.5 m

---

## FL CAT6 PATCH 10 - Patch cable

2891877

<https://www.phoenixcontact.com/us/products/2891877>



Patch cable, CAT6, preassembled, 10 m

# HC-Q-I-RJ45 GC-F/F - Contact insert

1422590

<https://www.phoenixcontact.com/us/products/1422590>



## FL CAT6 PATCH 12,5 - Patch cable

2891369

<https://www.phoenixcontact.com/us/products/2891369>



Patch cable, CAT6, preassembled, 12.5 m

---

## FL CAT6 PATCH 15,0 - Patch cable

2891372

<https://www.phoenixcontact.com/us/products/2891372>



Patch cable, CAT6, preassembled, 15.0 m

# HC-Q-I-RJ45 GC-F/F - Contact insert

1422590

<https://www.phoenixcontact.com/us/products/1422590>



## FL CAT6 PATCH 20,0 - Patch cable

2891576

<https://www.phoenixcontact.com/us/products/2891576>



Patch cable, CAT6, preassembled, 20.0 m

---

## NBC-R4AC1/0,3-94G/R4AC1-BU - Patch cable

1413158

<https://www.phoenixcontact.com/us/products/1413158>



Patch cable, degree of protection: IP20, cable length: 0.3 m, number of positions: 8, 10 Gbps, CAT6<sub>A</sub>, connection method: Pierce connection, Ethernet

# HC-Q-I-RJ45 GC-F/F - Contact insert

1422590

<https://www.phoenixcontact.com/us/products/1422590>



## NBC-R4AC1/0,5-94G/R4AC1-BU - Patch cable

1413159

<https://www.phoenixcontact.com/us/products/1413159>



Patch cable, degree of protection: IP20, cable length: 0.5 m, number of positions: 8, 10 Gbps, CAT6<sub>A</sub>, Ethernet

---

## NBC-R4AC1/1,0-94G/R4AC1-BU - Patch cable

1413160

<https://www.phoenixcontact.com/us/products/1413160>



Patch cable, degree of protection: IP20, cable length: 1 m, number of positions: 8, 10 Gbps, CAT6<sub>A</sub>, Ethernet

# HC-Q-I-RJ45 GC-F/F - Contact insert

1422590

<https://www.phoenixcontact.com/us/products/1422590>



## NBC-R4AC1/2,0-94G/R4AC1-BU - Patch cable

1413161

<https://www.phoenixcontact.com/us/products/1413161>



Patch cable, degree of protection: IP20, cable length: 2 m, number of positions: 8, 10 Gbps, CAT6<sub>A</sub>, Ethernet

---

## NBC-R4AC1/3,0-94G/R4AC1-BU - Patch cable

1413162

<https://www.phoenixcontact.com/us/products/1413162>



Patch cable, degree of protection: IP20, cable length: 3 m, number of positions: 8, 10 Gbps, CAT6<sub>A</sub>, Ethernet

# HC-Q-I-RJ45 GC-F/F - Contact insert

1422590

<https://www.phoenixcontact.com/us/products/1422590>



## NBC-R4AC1/5,0-94G/R4AC1-BU - Patch cable

1413163

<https://www.phoenixcontact.com/us/products/1413163>



Patch cable, degree of protection: IP20, cable length: 5 m, number of positions: 8, 10 Gbps, CAT6<sub>A</sub>, Ethernet

---

## NBC-R4AC1/10,0-94G/R4AC1-BU - Patch cable

1413164

<https://www.phoenixcontact.com/us/products/1413164>



Patch cable, degree of protection: IP20, cable length: 10 m, number of positions: 8, 10 Gbps, CAT6<sub>A</sub>, Ethernet

# HC-Q-I-RJ45 GC-F/F - Contact insert

1422590

<https://www.phoenixcontact.com/us/products/1422590>



## NBC-R4AC1/15,0-94G/R4AC1-BU - Patch cable

1413165

<https://www.phoenixcontact.com/us/products/1413165>



Patch cable, degree of protection: IP20, cable length: 15 m, number of positions: 8, 10 Gbps, CAT6<sub>A</sub>, Ethernet

---

## NBC-R4AC1/20,0-94G/R4AC1-BU - Patch cable

1413166

<https://www.phoenixcontact.com/us/products/1413166>



Patch cable, degree of protection: IP20, cable length: 20 m, number of positions: 8, 10 Gbps, CAT6<sub>A</sub>, Ethernet

## HC-Q-I-RJ45 GC-F/F - Contact insert

1422590

<https://www.phoenixcontact.com/us/products/1422590>



## HC-Q-I-RJ45I-AD-08-PC-M - Contact insert

1077119

<https://www.phoenixcontact.com/us/products/1077119>



Contact insert, number of positions: RJ45, size: D7, type : RJ45, Pin, 50 V, 1 A, application: Data, Adapter for RJ45 connectors

---

## HC-Q-I-RJ45-AD-PC-M - Contact insert

1077120

<https://www.phoenixcontact.com/us/products/1077120>



Contact insert, number of positions: RJ45, size: D7, type : RJ45, Pin, 50 V, 1 A, application: Data, Adapter for patch cables



# HC-Q-I-RJ45 GC-F/F - Contact insert

1422590

<https://www.phoenixcontact.com/us/products/1422590>



## HC-Q-I-RJ45-08-M - Contact insert

1077117

<https://www.phoenixcontact.com/us/products/1077117>

Contact insert, number of positions: RJ45, size: D7, type : RJ45, Pin, 50 V, 1 A,  
application: Data, With RJ45 contact insert



---

Phoenix Contact 2023 © - all rights reserved

<https://www.phoenixcontact.com>

Phoenix Contact USA  
586 Fulling Mill Road  
Middletown, PA 17057, United States  
(+717) 944-1300  
[info@phoenixcon.com](mailto:info@phoenixcon.com)