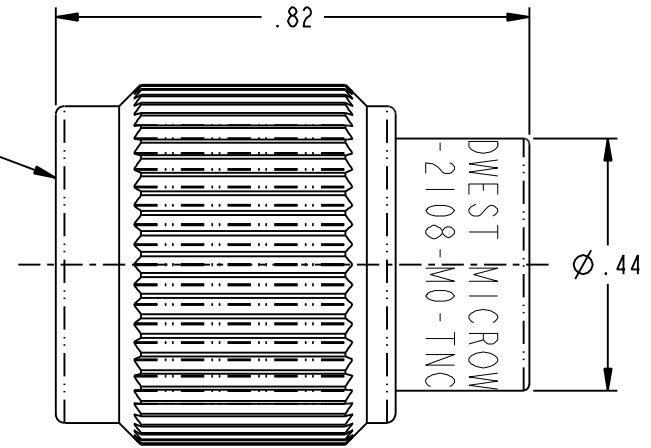


TNC MALE  
PER MIL-STD-348  
FIGURE 313-1



NOTES: UNLESS OTHERWISE SPECIFIED.

1. MATERIAL & FINISH:

- 1.1 HOUSING & COUPLING NUT: PASSIVATED STAINLESS STEEL
- 1.2 DIELECTRIC: PTFE (TEFLON)
- 1.3 CENTER CONTACT: GOLD PLATED BERYLLIUM COPPER

2. SPECIFICATIONS:

- 2.1 FREQUENCY RANGE: DC TO 18.0 GHz
- 2.2 VSWR (MAX):
  - 2.2.1 DC TO 8.0 GHz: 1.20:1
  - 2.2.2 8.0 TO 18.0 GHz: 1.25:1
- 2.3 MAXIMUM INPUT POWER: 2 WATTS MAX AT 25°C,  
DERATED LINEARLY TO 0.5 WATTS AT 125°C.
- 2.4 IMPEDANCE: 50 OHMS NOMINAL
- 2.5 TEMPERATURE RANGE: -55°C TO 125°C.

<p>This PROPRIETARY Document is property of Cinch Connectivity Solutions. It is confidential in nature, non-transferable, and issued with the clear understanding that it is not to be traced or copied without permission and is returnable upon demand.</p> <p>INTERPRET DRAWING IN ACCORDANCE WITH ASME Y14.5-2009.</p>	<p>3RD ANGLE PROJECTION</p>	<p>MIDWEST MICROWAVE</p>	
	<p>RoHS2 <input checked="" type="checkbox"/></p> <p>2011/65/EU</p>	<p>Title:</p> <p>TERMINATION</p>	
<p>UNLESS OTHERWISE SPECIFIED UNITS: INCH</p> <p>.XX ±.02</p> <p>.XXX ±.010</p> <p>ANGLES ±2°</p>		<p>Model No.</p> <p>TRM-2108-M0-TNC-02</p>	
<p>Size A</p>		<p>DO NOT SCALE DRAWING</p>	<p>Date: 8/17/2015</p>
		<p>Sheet 1 OF 1</p>	