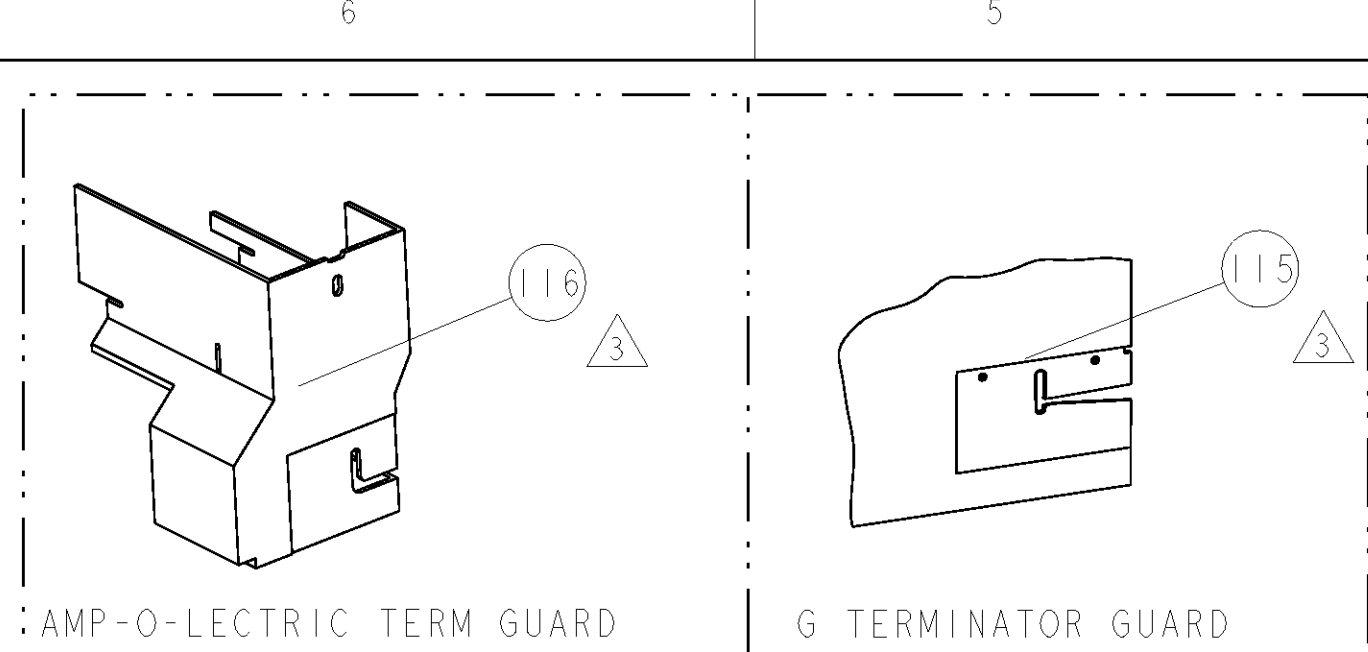


PART NUMBER	REV	FIRST USED	POWER UNIT	FEED TYPE	DESCRIPTION
1852862-1	B	122500-1	LEADMAKER	AIR FEED	CUTS CARRIER
1852862-2	B	565435-5	BENCH MODEL K	AIR FEED	CUTS CARRIER
1852862-3	B	354500-1	BENCH MODEL G	AIR FEED	CUTS CARRIER
1852862-6	B	122500-1	LEADMAKER	AIR FEED	CONTINUOUS CARRIER
7-1852862-7	A	-	-	-	SPARE PARTS

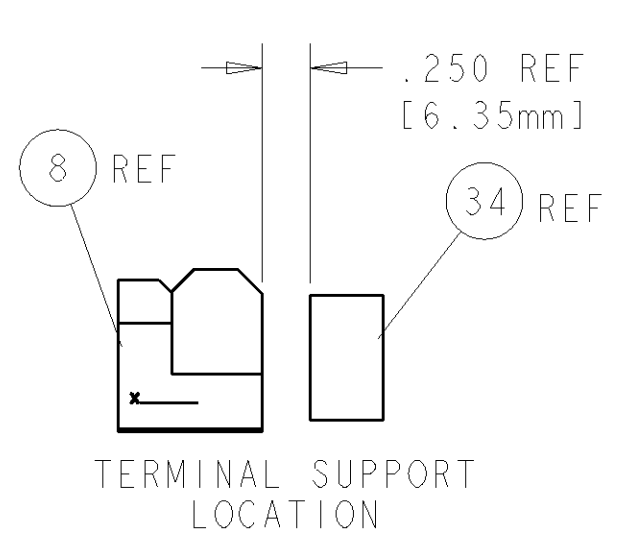
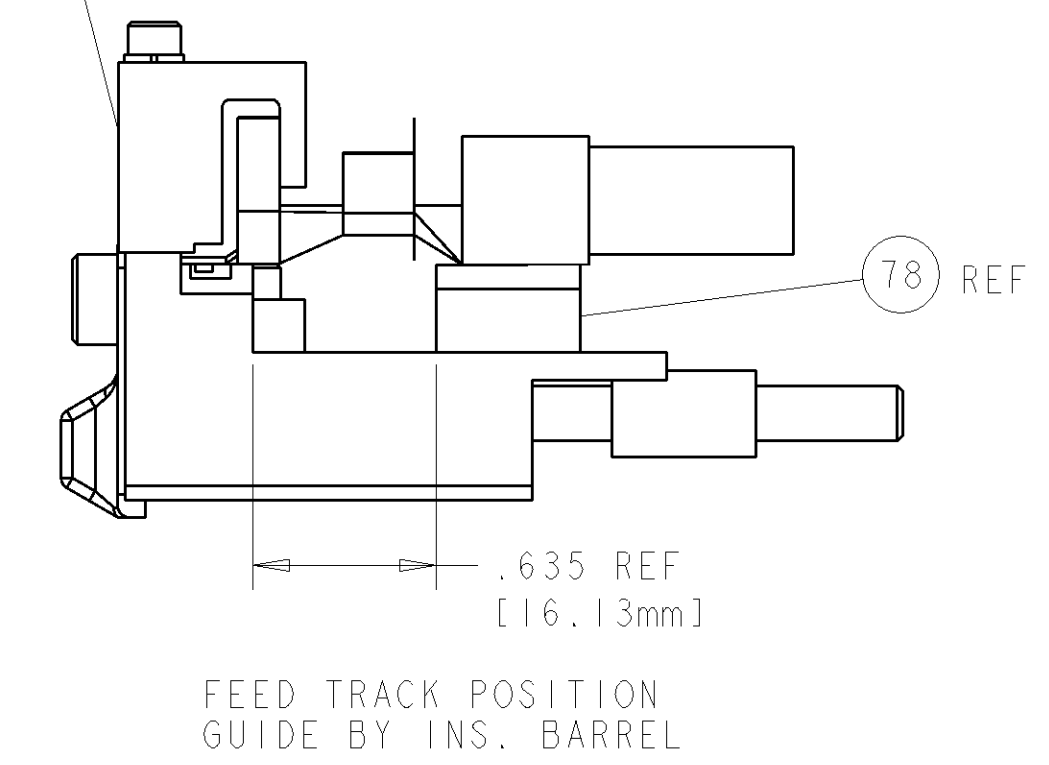
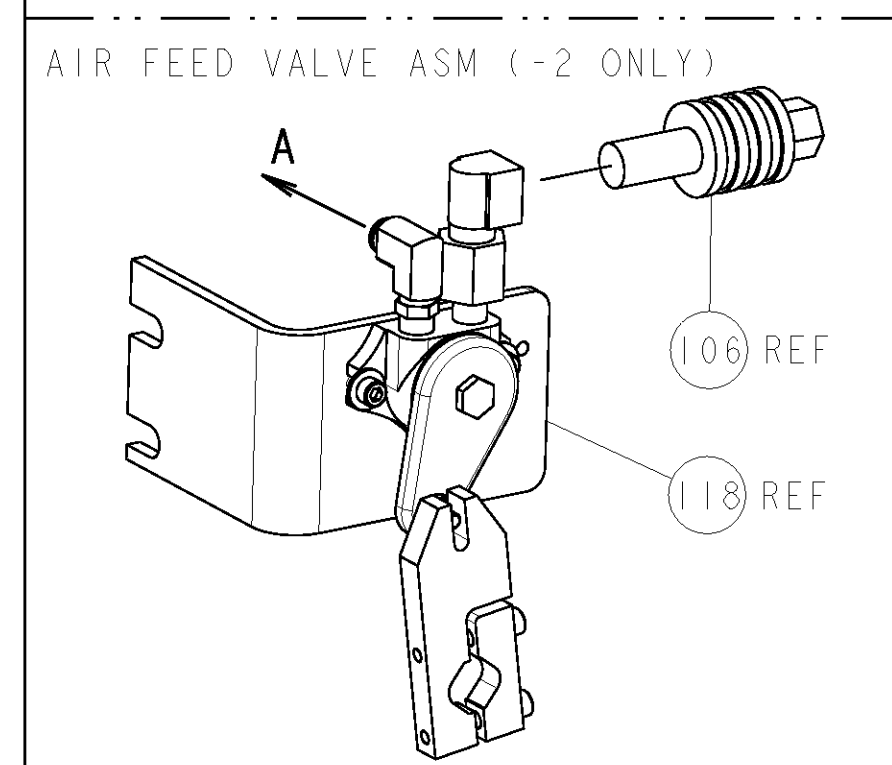
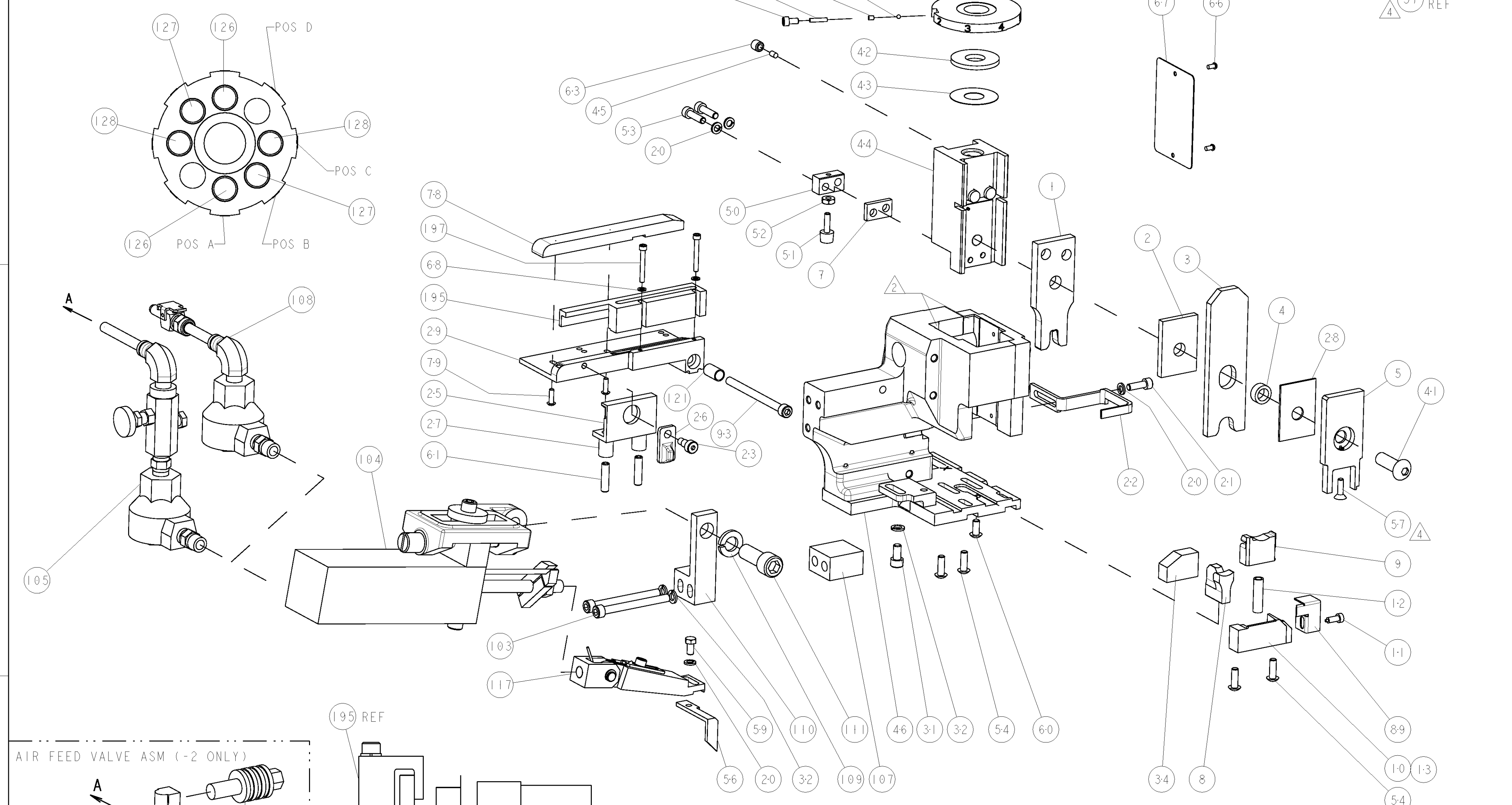


TE PN		TE TERMINAL - TE CRIMP SPECS		
963774	-			
		PAD LTR	CRIMP HEIGHT	
		A	3.60mm+.05/- .05 [1.42+.002/- .002]	
		B	3.29mm+.05/- .05 [1.30+.002/- .002]	
		C	2.98mm+.05/- .05 [1.17+.002/- .002]	
		D	-	
SEAL PN	WIRE	SIZE	TYPE	RANGE
1355437-1	-	5.08mm [2.00]	F	6-10mm2
1355437-2	-	10.95mm [4.30]	O	Ø10.000 MAX
WIRE STRIP LENGTH	TERM APPL SPEC	FEED	APPLICATOR INSTRUCTIONS	SET UP GAGE
9.70-10.30	114-18076	32.50	408-8040	458637-1

LOC	DIST	REV	DESCRIPTION	DATE	DNW	APVD
A	66	B	ECR-10-005957	17MAR2010	RK	GB

- △ RECOMMENDED SPARE PARTS
- △ GREASE LIGHTLY
- △ GUARD MUST BE IN PLACE WHEN OPERATING APPLICATOR IN A BENCH MACHINE
- △ APPLY TORQ-SEAL IN ALLEN SOCKET TO FILL HOLE AFTER FLAT HD HAS BEEN ADJUSTED TO CORRECT HEIGHT AT QUALIFICATION. APPLY PN 1-23419-5 LOC-TITE TO THREADS.
- △ THE INSULATION RANGE LISTED IS FOR THE TERMINAL. THE INSULATION RANGE FOR THE SEALS ARE LISTED BELOW.

SEAL PN	INSULATION RANGE
1355437-1	Ø4.6-5.2mm
1355437-2	Ø5.8-6.6mm



QTY	PART NO	DESCRIPTION	ITEM NO					
2	6-21000-8	SCR, SKT HD CAP 4-40 X .875	197					
1	3-679651-5	FRONT STRIP GUIDE	195					
2	9-354778-5	PIN, WIRE DISC, .2970	128					
2	6-354778-9	PIN, WIRE DISC, .2840	127					
2	4-354778-3	PIN, WIRE DISC, .2710	126					
1	1-22281-8	SPRING, COMPRESSION	121					
-	REF	692655-6	AIR FEED VALVE ASSEMBLY	118				
-77	-6	-3	-2	-1	U/M	PART NO	DESCRIPTION	ITEM NO

QTY	PART NO	DESCRIPTION	ITEM NO
-	461062-1	FEED FINGER ASSEMBLY	117
-	455749-1	GUARD WINDOW	116
-	679532-1	INSERT, GUARD	115
-	690603-1	SPRING ASSIST AMP-O-MATOR APPLICATOR	112
-	3-21001-5	SCR, SKT HD CAP 3/8-16 X 1.000	111
-	459610-3	MOUNT, FEED BRACKET	110
-	21024-8	WASHER, SPRG LOCK, REG 3/8	109
-	692655-7	AIR FEED VALVE ASSEMBLY	108
-	461690-1	SPACER, AIR FEED	107
-	24024-2	VALVE, SHUT OFF	106
-	692655-5	AIR FEED VALVE ASSEMBLY	105
-	461065-2	ASSEMBLY, AIR FEED	104
-	4-21000-3	SCR, SKT HD CAP 10-32 X 2.000	103
-	8-21000-7	SCR, SKT HD CAP 10-32 X 2.500	93
-	318563-1	GUARD, FRONT CHIP	89
-	1-21002-4	SCR, BTN SKT HD CAP 4-40 X .375	79
-	1633580-4	FENCE	78
-	4088040	SF APPL INST 408-8040	72
-	217238-1	GENERAL INSTRUCTION PKG	71
-	21024-2	WASHER, SPRG LOCK, REG NO 4	68
-	461264-1	PLATE, IDENTIFICATION	67
-	21017-2	SCREW, DRIVE	66
-	986950-1	WASHER, FLAT PRECISION	64
-	21009-2	SCR, SET, SELF LOCKING 1/4-20 X .250	63
-	23030-1	SCR, SKT HD CAP 6-32 X .25	62
-	5-21006-6	SCR, SET, CUP POINT 10-32 X .750	61
-	22733-8	SCR, BHSC, SELF-LOCKING, 8-32 X .375	60
-	2-22603-0	SCREW, MACH, HEX HD, 8-32 X .312	59
-	2-21003-0	SCR, FLT SKT HD CAP 6-32 X .500	57
-	5-694433-2	FEED PAWL	56
-	2-21002-2	SCR, BTN SKT HD CAP 8-32 X .500	54
-	2-21000-8	SCR, SKT HD CAP 8-32 X .625	53
-	21018-5	NUT, HEX, REG 6-32	52
-	811242-8	BUMPER, HOLD DOWN	51
-	690753-1	SPACER, TONKER	50
-	1-1633399-6	APPL. BASIC AIR FEED SUB ASSY	46
-	690191-1	PLUG, NYLON	45
-	1-819307-0	RAM, SIDE FEED	44
-	690125-1	SHIM SUB-ASSY	43
-	1-690124-3	WASHER, RAM (.105)	42
-	7-21002-9	SCR, BTN SKT HD CAP 5/16-24 X 1.00	41
-	23241-6	BALL, STEEL	40
-	690170-1	SPRING, COMPRESSION	39
-	1-690142-1	DISC, INSULATION	38
-	354777-1	WIRE DISC, ASSEMBLY	37
-	22480-5	SPRING, COMPRESSION	36
-	690212-1	POST, RAM	35
-	690786-7	TERMINAL SUPPORT	34
-	21024-5	WASHER, SPRG LOCK, REG NO 10	32
-	3-21000-4	SCR, SKT HD CAP 10-32 X .375	31
-	1-1633087-0	PLATE, STRIP GUIDE	29
-	1-455888-0	SPACER, CRIMPER	28
-	1-22282-1	SPRING, COMPRESSION	27
-	356835-1	LEVER, DRAG RELEASE	26
-	240792-1	DRAG, TERMINAL	25
-	21989-8	SCR, SKT HD SHLDR 3/16 DIA X .250	23
-	1-456468-3	STRIPPER, SPECIAL	22
-	2-21000-7	SCR, SKT HD CAP 8-32 X .500	21
-	21024-4	WASHER, SPRG LOCK, REG NO 8	20
-	1-679625-8	SHEAR HOLDER, FRONT (NO CUT)	13
-	4-22280-8	SPRING, COMPRESSION	12
-	1-690461-7	STOP, SHEAR	11
-	1-690459-7	SHEAR HOLDER, FRONT	10
-	318059-1	FLOATING SHEAR, FRONT	9
-	3-1633332-3	ANVIL, COMBINATION	8
-	240641-5	SPACER	7
-	-	-	6
-	122399-2	DEPRESSOR, SHEAR	5
-	1-238011-4	BLOCK, CRIMPER SPACER	4
-	1-655830-8	CRIMPER, INSUL O	3
-	2-455888-8	SPACER, CRIMPER	2
-	5-657555-1	CRIMPER, WIRE PREMIUM	1

THIS DRAWING IS UNPUBLISHED. RELEASED FOR PUBLICATION.

BY TYCO ELECTRONICS CORPORATION, ALL RIGHTS RESERVED.

DATE: 12AUG2009
 CHK: G. BALLEY
 APVD: M. DEMING

PRODUCT SPEC: SIDE FEED HDM APPLICATOR

SIZE: A1
 CAGE CODE: 00779
 DRAWING NO: 1852862

SCALE: 3:5
 SHEET: 1 OF 1
 REV: B