

# M5GO BOTTOM2

SKU:A014-C



## Description

**M5GO BOTTOM2** is an expansion base designed for M5Core2. It integrates an MPU6886 6 axis gyro/accelerometer, digital mic(SPM1423) and 500mAh LIPo battery. The base also includes 2 HY2.0-4P expansion ports capable of ADC/DAC/UART protocols and data input/output, which allows the use of units from the M5Stack range. On either side of the base beneath a diffuser are a total of 10 programmable RGB LEDs(SK6812), which can be used as a form of notification or for impressive lighting effects. Beneath the device are a set of pogo pins which can attach to a charging base (excluded) for charging. The pogo pin connector can also be used for I2C communication, therefore if the user wants to attach or modify the base to include I2C devices they are able to do so. On the bottom of the device are an array of Lego™ compatible holes which makes integration of your Lego™ projects a breeze.

## Features

- Compatible with M5Core2
- Digital microphone
- Programmable RGB LED
- HY2.0-4P expansion ports
- Lego™ compatible
- Pogo Pin magnetic charging

## Includes

- 1x M5GO BOTTOM2
- 2x M3\*16 screws
- 2x M3\*18 screws

## Specifications

Resource	Parameter
Mic	SPM1423
LED	SK6812*10
IMU	MPU6886
Net Weight	31g
Gross Weight	45g
Product Dimensions	54*54*8mm
Packaging Dimensions	60*57*17mm

## EasyLoader

EasyLoader is a concise and fast program writer, which has a built-in case program related to the product. It can be burned to the main control by simple steps to perform a series of function verification. Please install the corresponding driver according to the device type. M5Core host [Please click here to view the CP210X driver installation tutorial](#), M5StickC/N/T/ATOM series can be used without driver

## Pin Mapping

### SK6812-LED Bar

ESP32 Chip GPIO25

SK6812 DATA

### SPM1423-Mic

ESP32 Chip GPIO34 GPIO0

SPM1423 DAT CLK

### MPU6886 & Pogo Pin

ESP32 Chip GPIO21 GPIO22

MPU6886 SDA SCL

Pogo Pin SDA SCL

HY2.0-4P-PortB(black)

ESP32 Chip GPIO26 GPIO36  
 PortB GPIO26(DAC) GPIO36(ADC)

HY2.0-4P-PortC(blue)

ESP32 Chip GPIO13 GPIO14  
 PortC GPIO13(RXD2) GPIO14(TXD2)

M5GO-BOTTOM2-BUS



G35	ADC	GND	
G36	ADC	GND	
E4	RST	GND	
G25	DAK	MISO	G23
G26	DAK	MISO	G38
	3.3V	VSCK	G18
G1	TXD3	RXD3	G3
G14	TXD2	RXD2	G13
G22	TXD1	RXD1	G21
G33	TXD0	RXD0	G32
G19	GPIO	GPIO	G27
G0	RSOUT	RSOUT	G2
G34	RSOUT	NC	
	5V	NC	
	BAT	NC	

Related Links

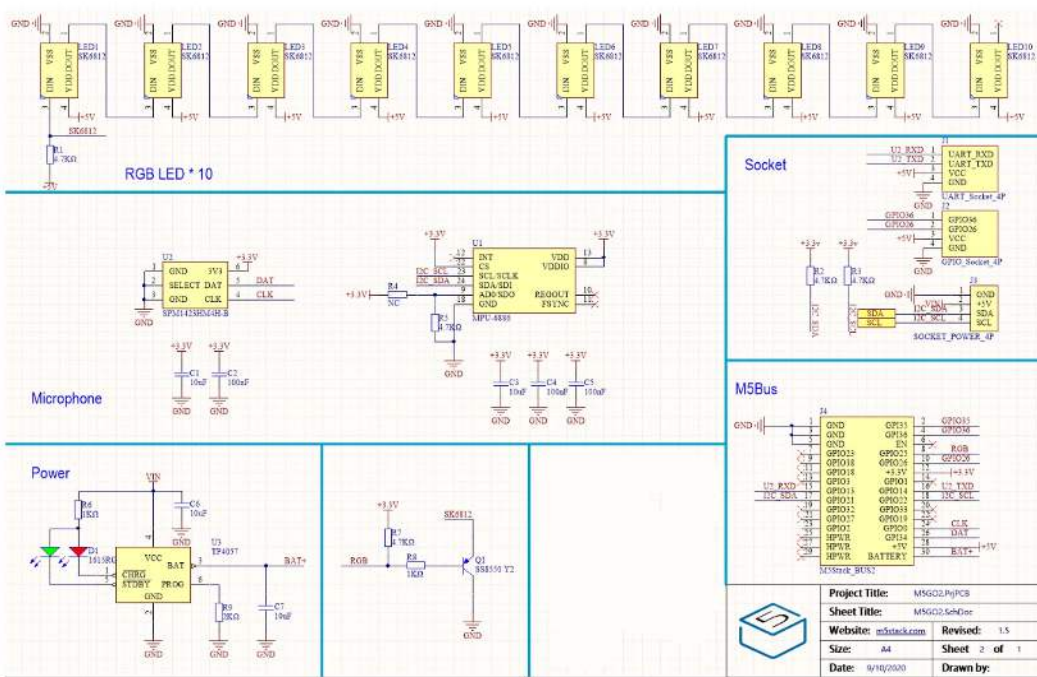
- [SPM1423](#)
- [MPU6886](#)

Example

1. Arduino

[Click here to download the Arduino example](#)

Schematic



PURCHASE