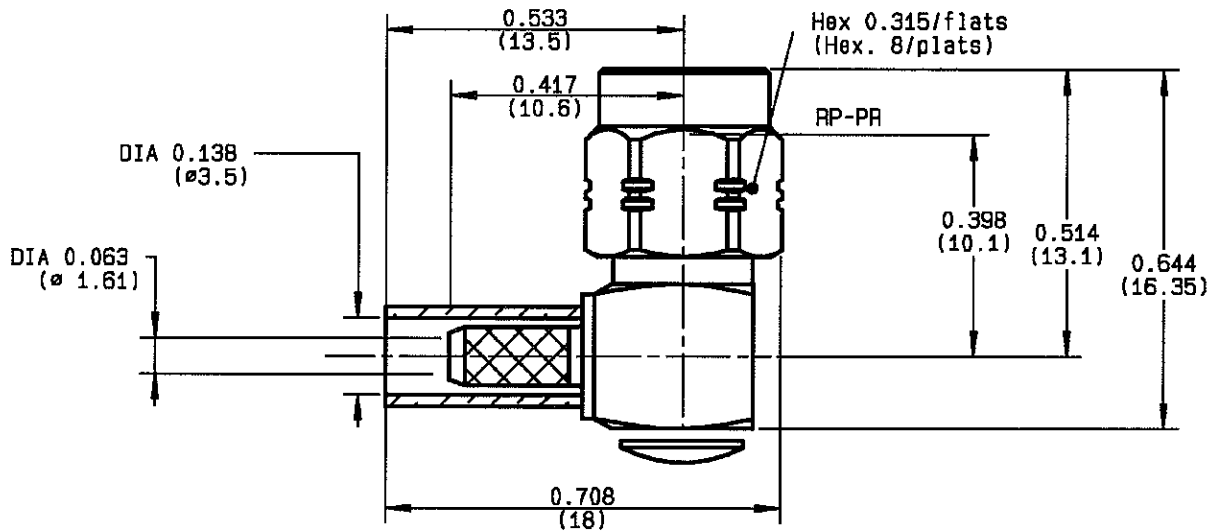


RIGHT ANGLE PLUG CRIMP TYPE CABLE 2.6/50 D	R124.174.120 SERIES SMA-COM
---	--



NOMINAL IMPEDANCE	50 Ω	CABLES : K02252D
FREQUENCY RANGE	0-12.4 GHz	RD 316
TEMPERATURE RATING	-65/+165 °C	
V.S.W.R	1.15 + .03 x F(GHz)Maxi	
RF INSERTION LOSS	0.05 √F(GHz) dB Maxi	
VOLTAGE RATING	250 Veff Maxi	
DIELECTRIC WITHSTANDING VOLTAGE	750 Veff Mini	
INSULATION RESISTANCE	5000 MΩMini	OTHERS CHARACTERISTICS
HERMETIC SEAL	NA Atm.cm ³ /s	CABLE RETENTION
LEAKAGE (pressurized only)	NA	110 N Mini
MECHANICAL DURABILITY	100 Cycles	CENTER CONTACT RETENTION
WEIGHT	5.14 gr	Axial force - mating end
SPECIFICATION		27 N Mini
		Axial force - opposite end
		27 N Mini
		Torque
		NA cm.N Mini
		RECOMMENDED TORQUES
		Mating
		60 cm.N
		Panel nut
		NA cm.N
		Clamp nut
		NA cm.N

CONNECTOR PARTS	MATERIALS	FINISH	(all values are given in micrometers)
BODY	BRASS	BBR 2	
OUTER CONTACT			
CENTER CONTACT	BRASS	GOLD 1.3 OVER COPPER 2.5	
INSULATOR	PTFE	-	
GASKET		-	
OTHERS PIECES	BRASS	BBR 2	

ISSUE 0708E	CREATION DATE 30/09/1993	FILE PART-NUMBER EPC 97-03	
-----------------------	------------------------------------	--------------------------------------	--

TRIQUES

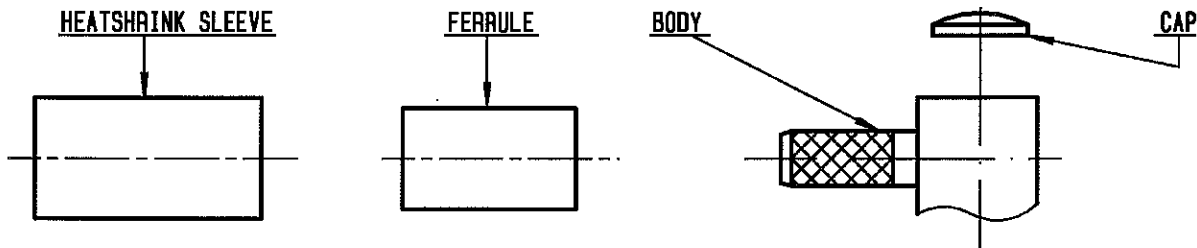
The information given here is subject to change without notice. Design changes may be in order to improve the product.

Connect to the future



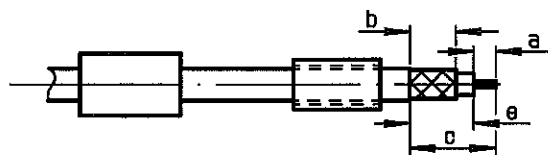
R124.174.120

ISSUE **0708E** SERIES **SMA-COM**



①

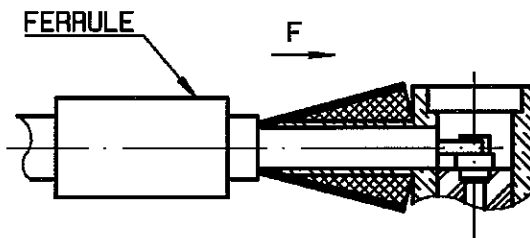
Slide heatshrink sleeve (R280.637.020 - Option) and the ferrule onto cable .
Strip the cable .



Stripping	a	b	c	d	e
inch	0.079	0.256	0.472	0	0.394
mm	2	6.5	12		10

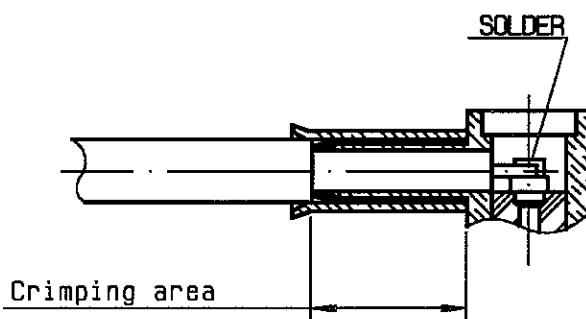
②

Fan the braid .
Push connector body under the braid .
Slide ferrule over braid
(in direction F)



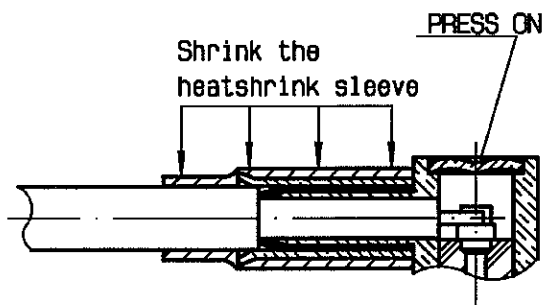
③

Crimp the ferrule with crimping tool R282 271 000 (Hex. : 0.151) or crimping tool R 282 293 000 (M22520/5-01) + dies R 282 235 037 (M22520/5-37)
Solder inner conductor .



④

Place the cap into body.
Press cap flush or slightly below surface of body assembly .
Slide sleeve over ferrule and heatshrink in place (Option) .



TRIQUES