

1438894-2 ✓ ACTIVE

FAKRA RF Connector System

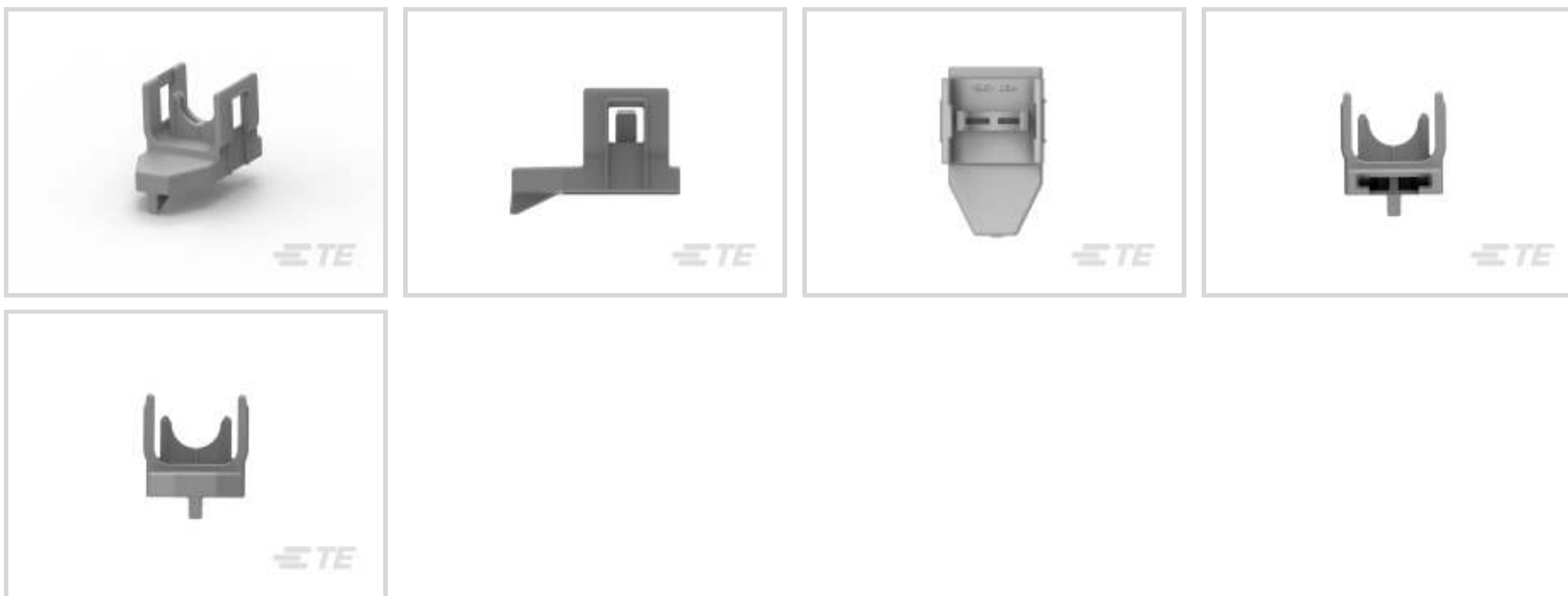
TE Internal #: 1438894-2

Other Automotive Connector Accessories, Locking Device, PBT, Gray, -40 – 85 °C [-40 – 185 °F], FAKRA RF Connector System

[View on TE.com >](#)



Connectors > Automotive Connectors > Automotive Connector Accessories > Other Automotive Connector Accessories



Automotive Connector Accessory Type: **Locking Device**

Primary Product Material: **PBT**

Primary Product Color: **Gray**

Operating Temperature Range: **-40 – 85 °C [-40 – 185 °F]**

### Features

#### Product Type Features

Automotive Connector Accessory Type	Locking Device
-------------------------------------	----------------

#### Body Features

Primary Product Material	PBT
Primary Product Color	Gray

#### Usage Conditions

Operating Temperature Range	-40 – 85 °C[-40 – 185 °F]
-----------------------------	---------------------------

#### Industry Standards

Agency/Standard	USCAR
-----------------	-------

#### Packaging Features

Packaging Quantity	6000
Packaging Method	Bag & Box

#### Other

Serviceable	Yes
-------------	-----

### Product Compliance



[For compliance documentation, visit the product page on TE.com>](#)

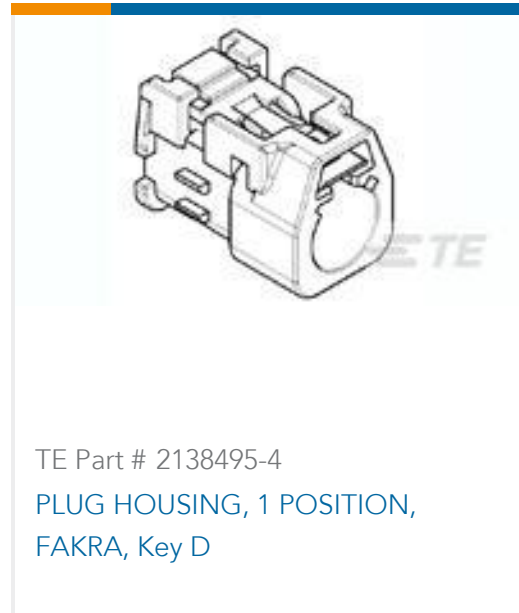
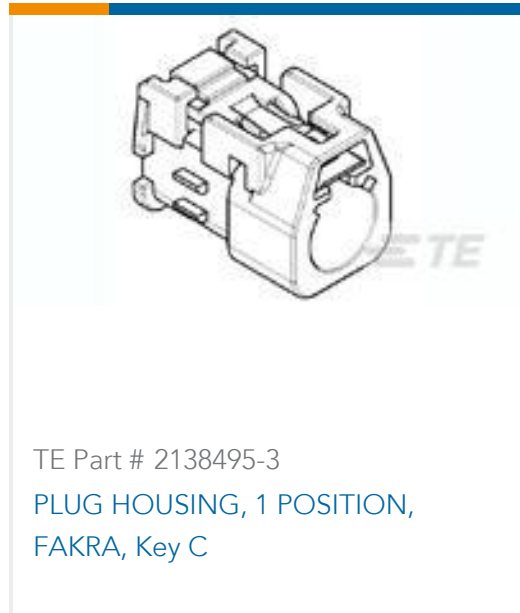
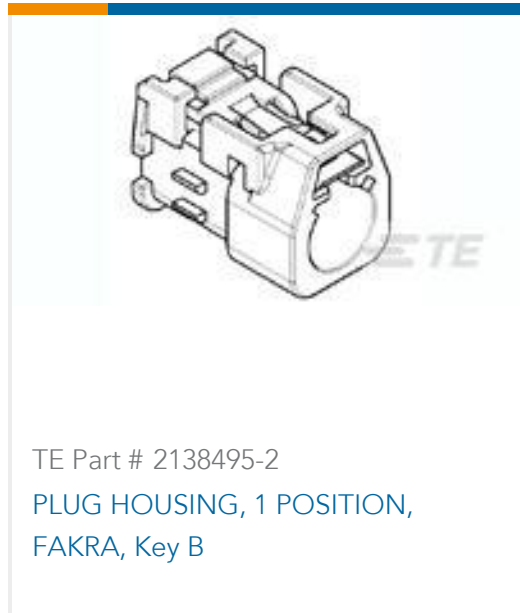
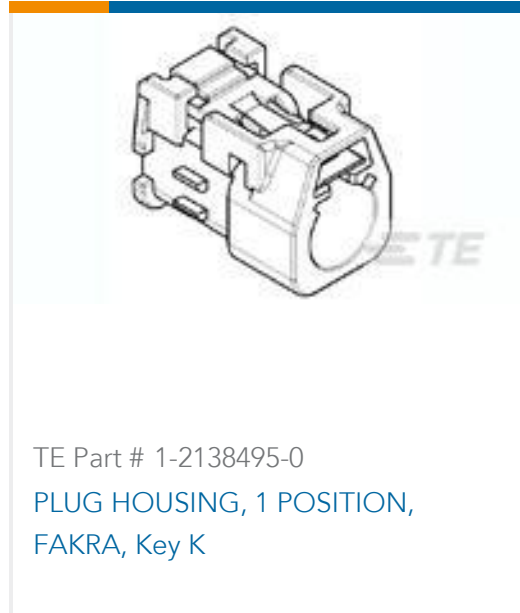
EU RoHS Directive 2011/65/EU	Compliant
EU ELV Directive 2000/53/EC	Compliant
China RoHS 2 Directive MIIT Order No 32, 2016	No Restricted Materials Above Threshold
EU REACH Regulation (EC) No. 1907/2006	Current ECHA Candidate List: JUNE 2023 (235) Candidate List Declared Against: JUNE 2023 (235) Does not contain REACH SVHC
Halogen Content	Low Halogen - Br, Cl, F, I < 900 ppm per homogenous material. Also BFR/CFR/PVC Free
Solder Process Capability	Not applicable for solder process capability

Product Compliance Disclaimer

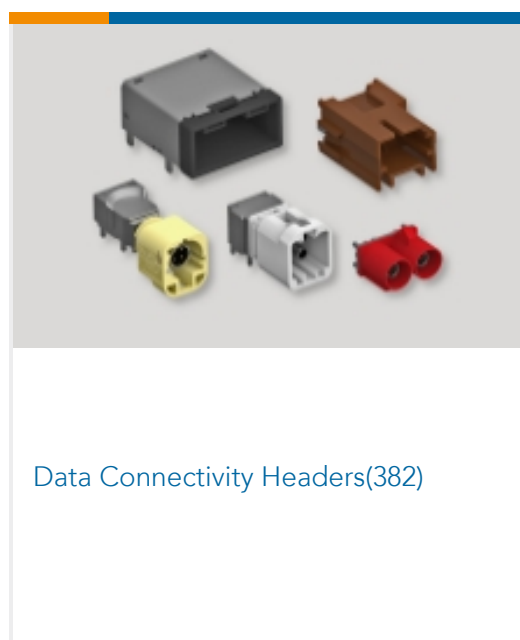
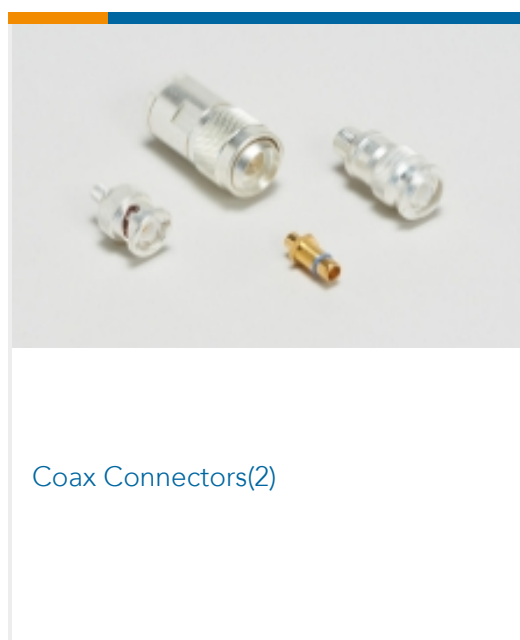
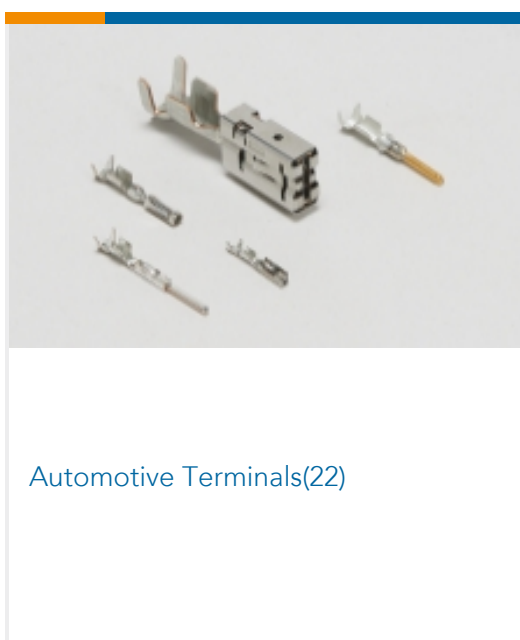
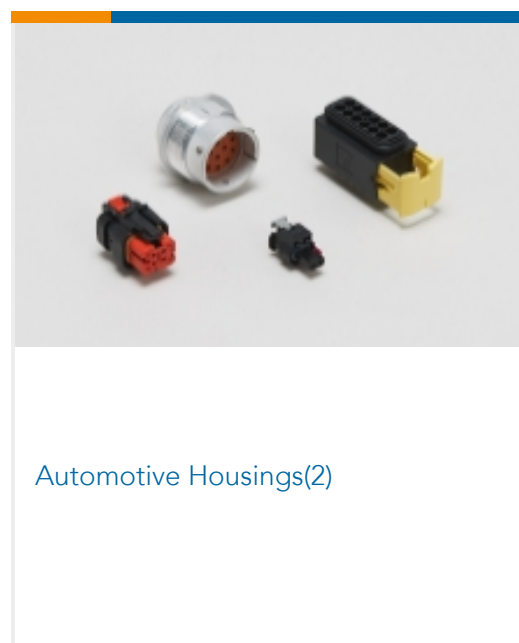
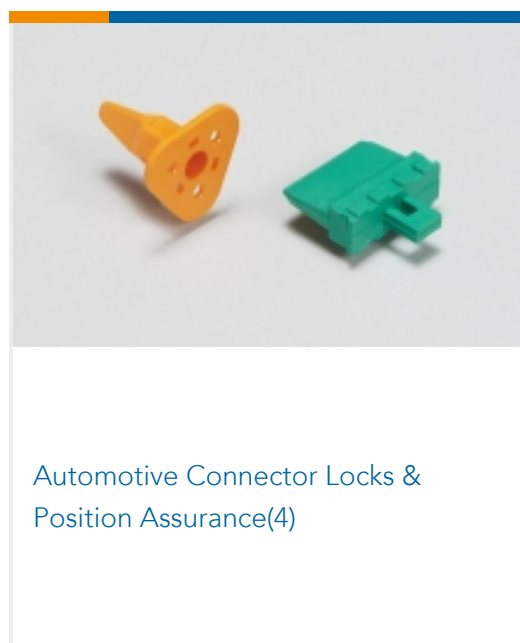
This information is provided based on reasonable inquiry of our suppliers and represents our current actual knowledge based on the information they provided. This information is subject to change. The part numbers that TE has identified as EU RoHS compliant have a maximum concentration of 0.1% by weight in homogenous materials for lead, hexavalent chromium, mercury, PBB, PBDE, DBP, BBP, DEHP, DIBP, and 0.01% for cadmium, or qualify for an exemption to these limits as defined in the Annexes of Directive 2011/65/EU (RoHS2). Finished electrical and electronic equipment products will be CE marked as required by Directive 2011/65/EU. Components may not be CE marked. Additionally, the part numbers that TE has identified as EU ELV compliant have a maximum concentration of 0.1% by weight in homogenous materials for lead, hexavalent chromium, and mercury, and 0.01% for cadmium, or qualify for an exemption to these limits as defined in the Annexes of Directive 2000/53/EC (ELV). Regarding the REACH Regulation, the information TE provides on SVHC in articles for this part number is based on the latest European Chemicals Agency (ECHA) 'Guidance on requirements for substances in articles' posted at this URL: <https://echa.europa.eu/guidance-documents/guidance-on-reach>

## Compatible Parts

 <p>TE Part # 1-1438893-2 PLUG HOUSING, 1 POSITION, 180 DEGREE, FA</p>	 <p>TE Part # 1438887-3 JACK HOUSING, 1 POSITION, 180 DEGREE, FA</p>	 <p>TE Part # 1438887-4 JACK HOUSING, 1 POSITION, 180 DEGREE, FA</p>	 <p>TE Part # 1438887-5 JACK HOUSING, 1 POSITION, 180 DEGREE, FA</p>
 <p>TE Part # 1438887-6 JACK HOUSING, 1 POSITION, 180 DEGREE, FA</p>	 <p>TE Part # 1438893-3 PLUG HOUSING, 1 POSITION, 180 DEGREE, FA</p>	 <p>TE Part # 1438893-9 PLUG HOUSING, 1 POSITION, 180 DEGREE, FA</p>	 <p>TE Part # 2138495-1 PLUG HOUSING, 1 POSITION, FAKRA, Key A</p>



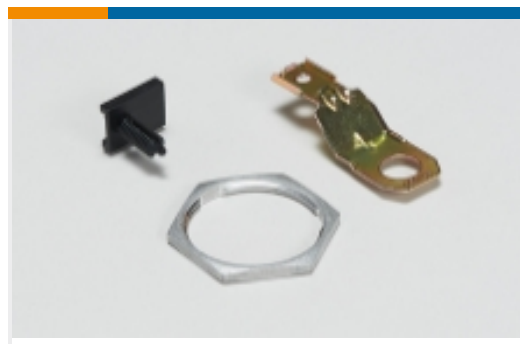
## Also in the Series | FAKRA RF Connector System



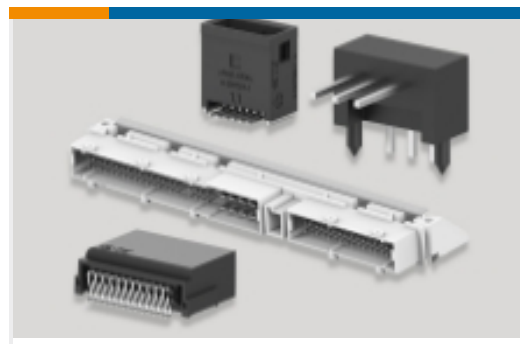




Infotainment & Multimedia Cable Assemblies(1)



Other Automotive Connector Accessories(37)



PCB Headers & Receptacles(2)



RF Contacts(3)

## Customers Also Bought



TE Part #1438888-1  
LOCK, JACK, 1 POSITION, 180 DEGREE, FAKR



TE Part #1438893-2  
PLUG HOUSING, 1 POSITION, 180 DEGREE, FA



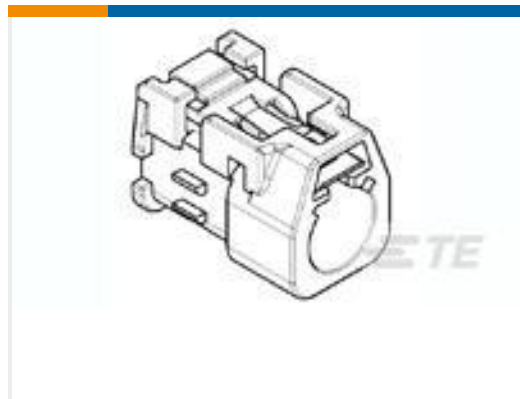
TE Part #1438893-9  
PLUG HOUSING, 1 POSITION, 180 DEGREE, FA



TE Part #1488499-3  
FERRULE, NI PLT, RG58, FAKRA



TE Part #1924791-1  
PLUG SUBASSEMBLY, RG-316 OR RG-174



TE Part #2138495-1  
PLUG HOUSING, 1 POSITION, FAKRA, Key A



TE Part #2138981-1  
PLUG SUBASSEMBLY, 1.5DS-QFB, FAKRA



TE Part #2203241-1  
JACK SUBASSEMBLY, RTK031 2DS-PPFW, FAKRA



TE Part #2298125-1  
MATE-AX, Pin center contact, RTK 031



TE Part #1217486-1  
FLUORESCENT TUBE SOCKET TERMINAL

## Documents

### Product Drawings

Lock with Body clip, 1 Pos, SMB

English

### CAD Files

Customer View Model

ENG\_CVM\_CVM\_1438894-2\_E.2d\_dxf.zip

English

3D PDF



3D

Customer View Model

[ENG\\_CVM\\_CVM\\_1438894-2\\_E.3d\\_igs.zip](#)

English

Customer View Model

[ENG\\_CVM\\_CVM\\_1438894-2\\_E.3d\\_stp.zip](#)

English

By downloading the CAD file I accept and agree to the [Terms and Conditions](#) of use.

**Product Specifications**

[Application Specification](#)

English