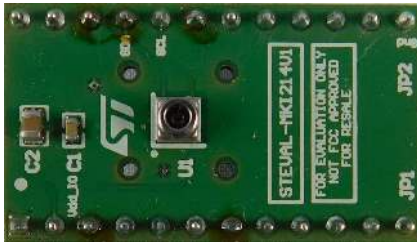


LPS33K adapter board for a standard DIL24 socket



Features

- Complete LPS33K pinout for a standard DIL 24 socket
- Fully compatible with STEVAL-MKI109V3 motherboards
- RoHS compliant

Description

The **STEVAL-MKI214V1** is an adapter board designed to facilitate the evaluation of MEMS devices in the **LPS33K** product family. The board offers an effective solution for fast system prototyping and device evaluation directly within the user's own application.

The **STEVAL-MKI214V1** can be plugged into a standard DIL 24 socket. The adapter provides the complete LPS33K pin-out and comes ready-to-use with the required decoupling capacitors on the VDD power supply line.

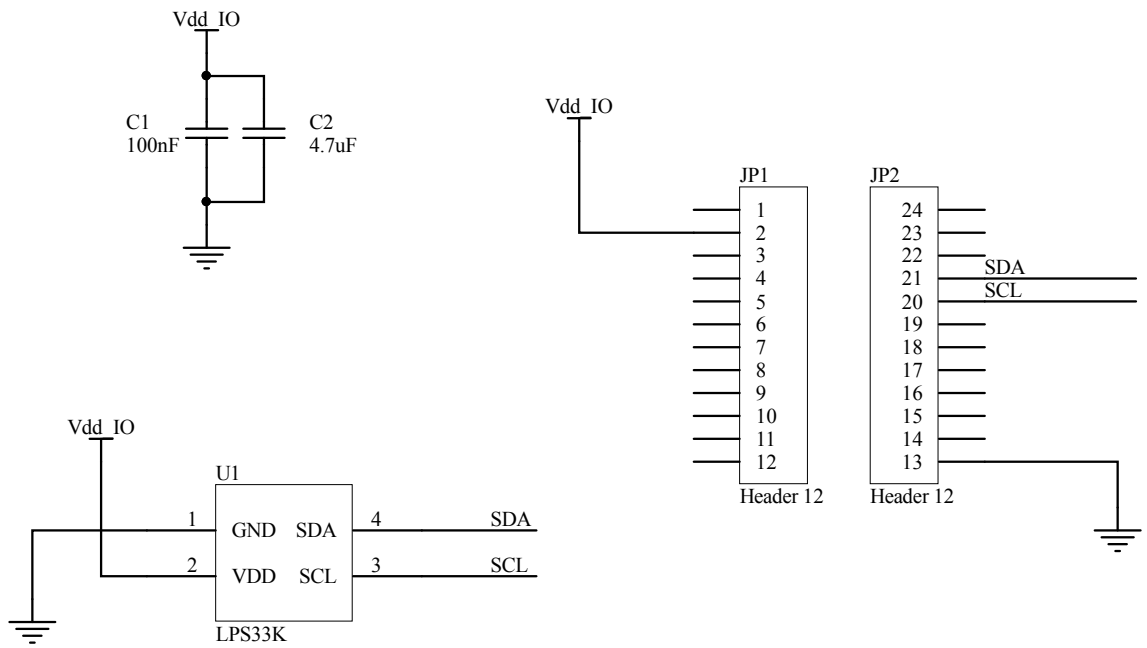
This adapter is supported by the **STEVAL-MKI109V3** motherboard with high performance 32-bit microcontroller functioning as a bridge between the sensor and a PC, on which it is possible to use the downloadable graphical user interface (Unico GUI), or dedicated software routines for customized applications.

The adapter board can be also plugged into following boards: **X-NUCLEO-IKS01A2**, **X-NUCLEO-IKS01A1** and **X-NUCLEO-IKS01A3**.

Product summary	
LPS33W adapter board for a standard DIL24 socket	STEVAL-MKI214V1
MEMS pressure sensor: 300-1200 hPa absolute digital output barometer with potted gel package	LPS33K
ST MEMS adapter motherboard based on STM32F401VE compatible ST MEMS adapters	STEVAL-MKI109V3

1 Schematic diagrams

Figure 1. STEVAL-MKI214V1 board schematic



Revision history

Table 1. Document revision history

Date	Version	Changes
14-Jul-2020	1	Initial release.
20-Jul-2020	2	Updated core product.
23-Jul-2020	3	Updated cover image.

IMPORTANT NOTICE – PLEASE READ CAREFULLY

STMicroelectronics NV and its subsidiaries (“ST”) reserve the right to make changes, corrections, enhancements, modifications, and improvements to ST products and/or to this document at any time without notice. Purchasers should obtain the latest relevant information on ST products before placing orders. ST products are sold pursuant to ST’s terms and conditions of sale in place at the time of order acknowledgement.

Purchasers are solely responsible for the choice, selection, and use of ST products and ST assumes no liability for application assistance or the design of Purchasers’ products.

No license, express or implied, to any intellectual property right is granted by ST herein.

Resale of ST products with provisions different from the information set forth herein shall void any warranty granted by ST for such product.

ST and the ST logo are trademarks of ST. For additional information about ST trademarks, please refer to www.st.com/trademarks. All other product or service names are the property of their respective owners.

Information in this document supersedes and replaces information previously supplied in any prior versions of this document.

© 2020 STMicroelectronics – All rights reserved