

TABLE 1

MOLEX P/N	ENG. NO.	LED
1202510082	BKB8030-FBB	NO
1202510083	BKB803P-FBB	YES
1202510084	BKB803N-FBB	YES

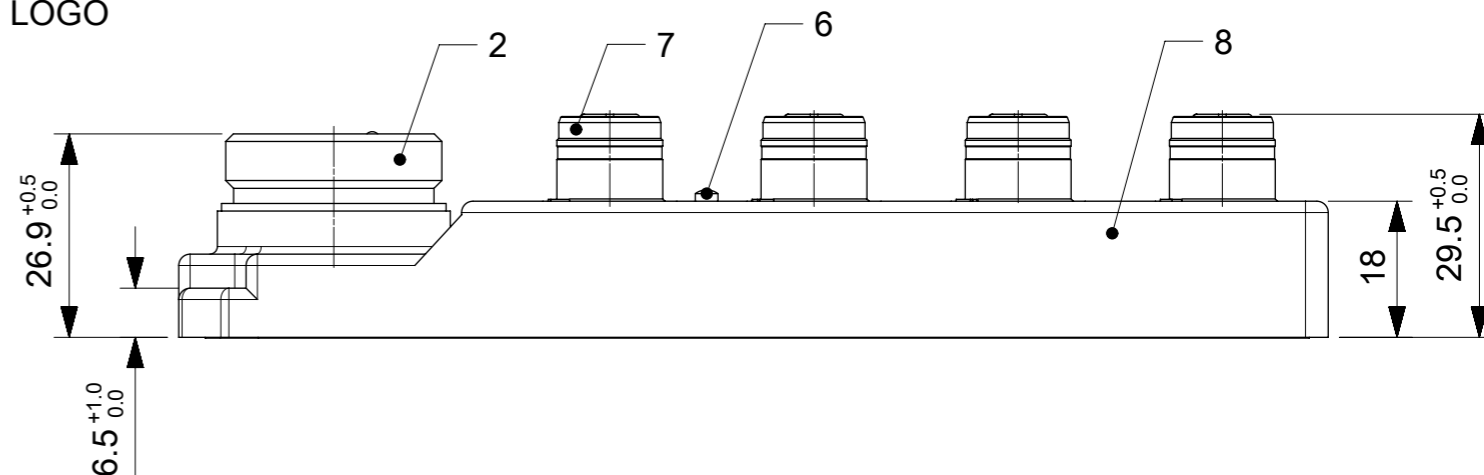
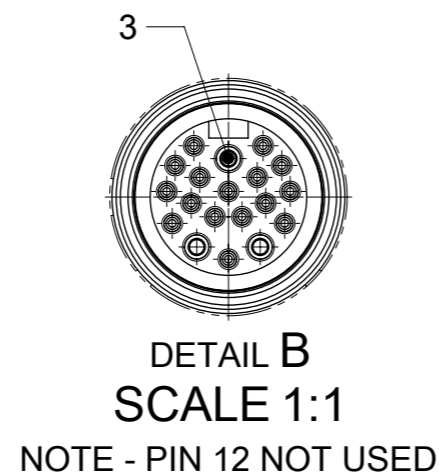
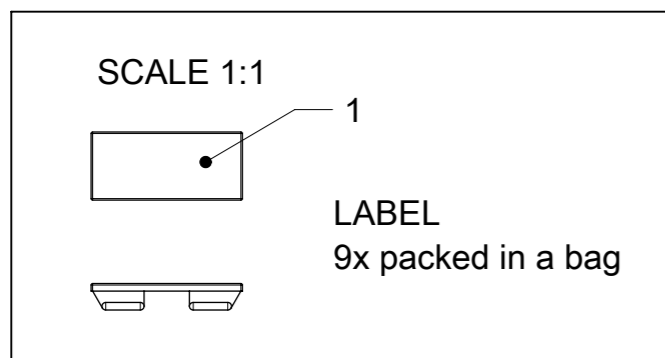
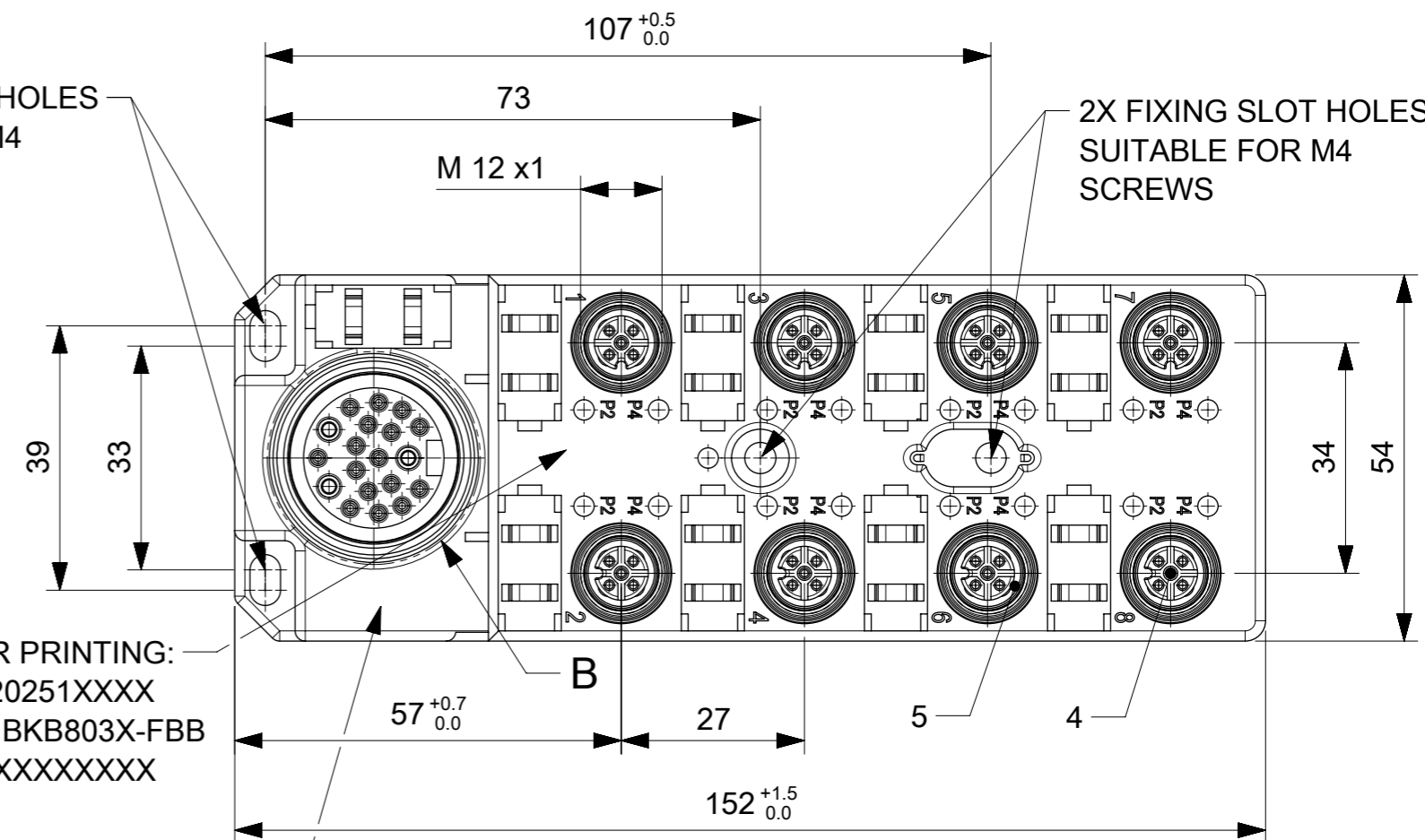
TABLE 2 BILL OF MATERIAL

ITEM	DESCRIPTION	MATERIAL	FINISH
1	LABEL	ABS	WHITE
2	SHELL	BRASS	NICKEL PLATED
3	CONTACT	BRASS	GOLD OVER NICKEL
4	CONTACT	BRONZE	GOLD OVER NICKEL
5	O-RING	FPM	RED
6	LED	NO LED = PA	BLACK
		WITH LED = PA	TRANSPARENT
7	SHELL	BRASS	NICKEL PLATED
8	HOUSING	PBT	BLACK

2X FIXING SLOT HOLES
SUITABLE FOR M4
SCREWS

LASER PRINTING:
PN: 120251XXXX
ENG.: BKB803X-FBB
PO: XXXXXXXXX

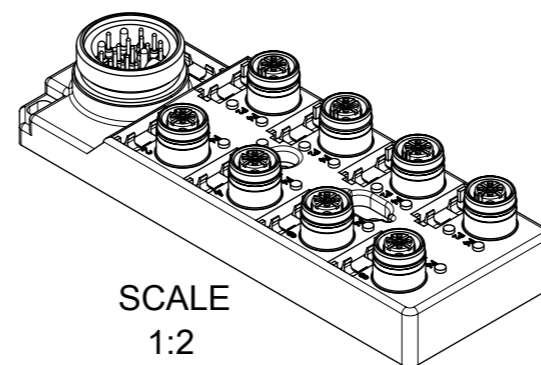
LASER PRINTING
BRAD LOGO



GENERAL CHARACTERISTICS:

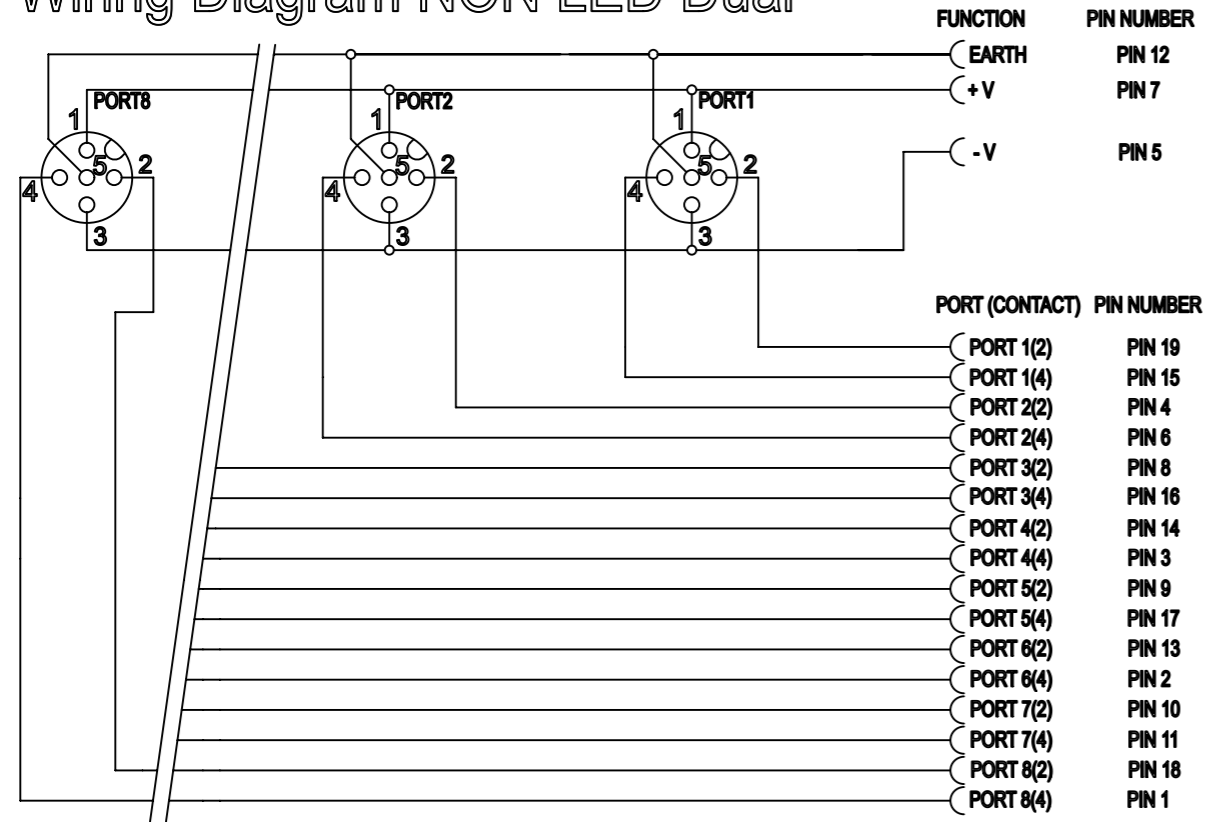
ELECTRICAL AND MECHANICAL DATA ACC. TO IEC 61076-2-101

NOMINAL VOLTAGE: 10-30 V DC
 AMPERE RATING: 4 A PER PORT / 12 A MAX
 AMPERE RATING WITH UL REGISTRATION: 3 A PER PORT / 9 A MAX
 IP DEGREE OF PROTECTION: IP 67
 TEMPERATURE RANGE: -25°C to +85°C

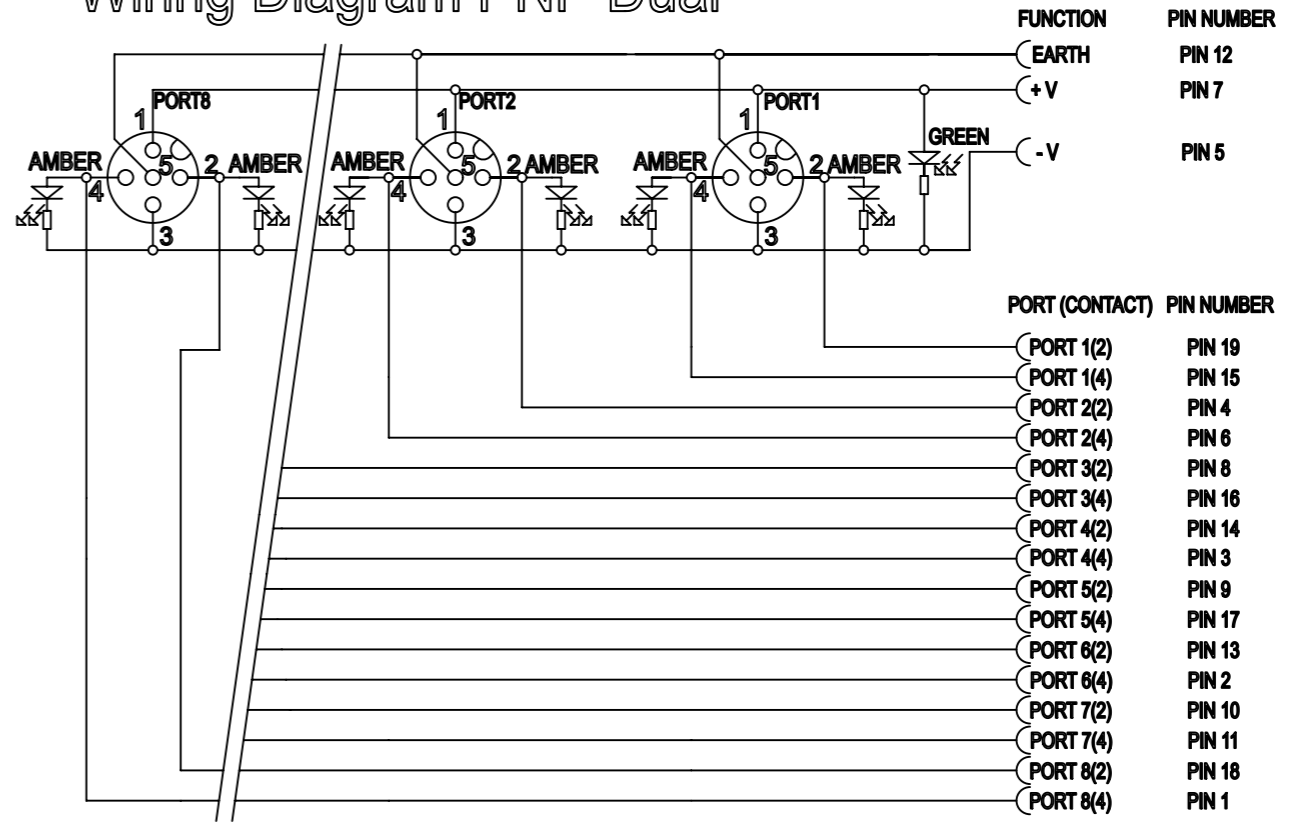


SYMBOLS		THIS DRAWING CONTAINS INFORMATION THAT IS PROPRIETARY TO MOLEX ELECTRONIC TECHNOLOGIES, LLC AND SHOULD NOT BE USED WITHOUT WRITTEN PERMISSION	
DIMENSION UNITS	SCALE	CURRENT REV DESC:	
mm	1:1	molex	
GENERAL TOLERANCES (UNLESS SPECIFIED)		MPIS U12 NON 5P 8PT MINI CHANGE BK DUAL	
ANGULAR TOL	± 1.0°	PRODUCT CUSTOMER DRAWING	
4 PLACES	±	EC NO: 630686	2019/01/02
3 PLACES	±	DRWN: SSM	2020/01/17
2 PLACES	± 0.05	CHK'D: RSILLER	2020/01/17
1 PLACE	± 0.3	APPR: RSILLER	2020/01/17
0 PLACES	± 0.5	INITIAL REVISION:	
DRAFT WHERE APPLICABLE MUST REMAIN WITHIN DIMENSIONS		DRWN: SSM	2019/01/02
THIRD ANGLE PROJECTION		APPR: RSILLER	2020/01/17
DRAWING		SERIES	MATERIAL NUMBER
A3-SIZE		120251	SEE TABLE 1
SHEET NUMBER		CUSTOMER	REVISION
1 OF 2		GENERAL MARKET	A

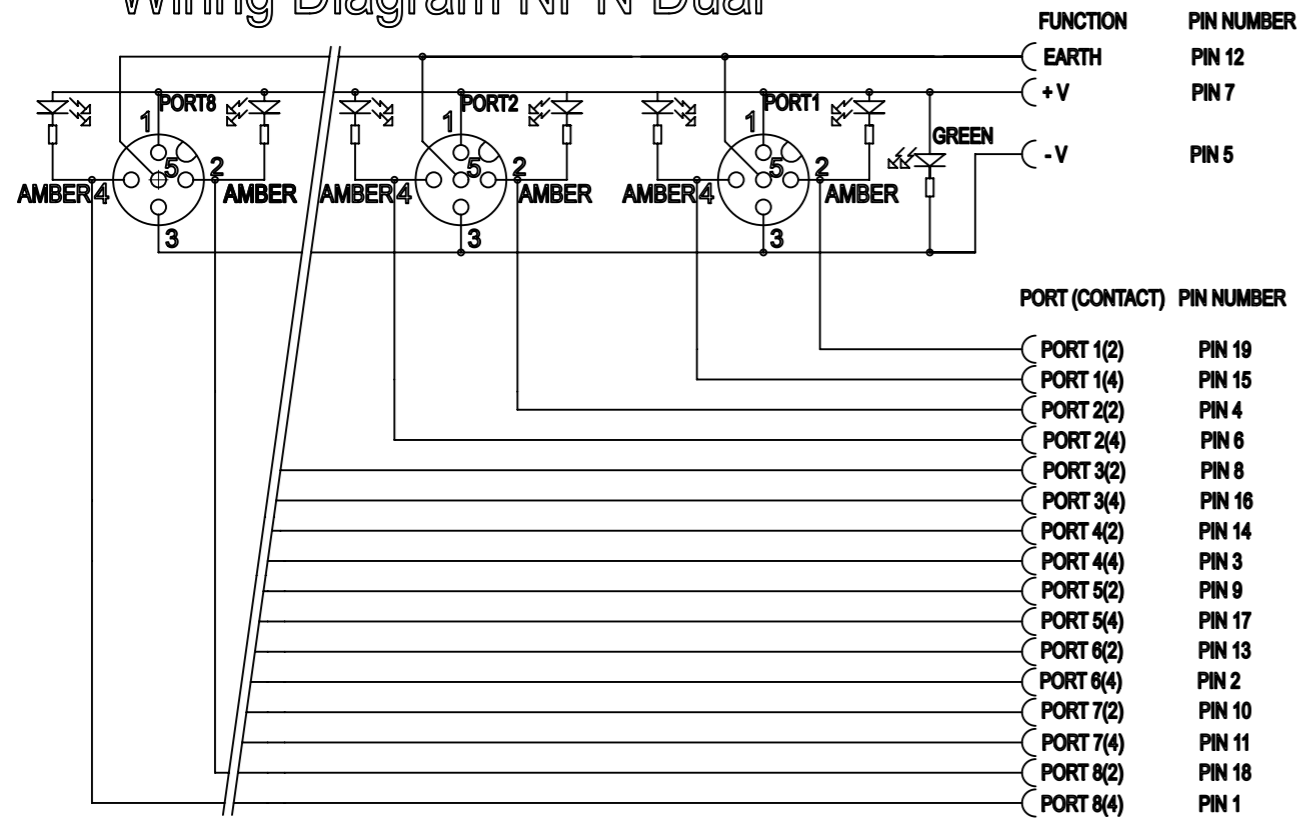
Wiring Diagram NON LED Dual



Wiring Diagram PNP Dual



Wiring Diagram NPN Dual



SYMBOLS DIMENSION UNITS: mm SCALE: 1:1 GENERAL TOLERANCES (UNLESS SPECIFIED): ANGULAR TOL: ± 1.0° 4 PLACES: ± 3 PLACES: ± 2 PLACES: ± 0.05 1 PLACE: ± 0.3 0 PLACES: ± 0.5 DRAFT WHERE APPLICABLE MUST REMAIN WITHIN DIMENSIONS THIRD ANGLE PROJECTION	THIS DRAWING CONTAINS INFORMATION THAT IS PROPRIETARY TO MOLEX ELECTRONIC TECHNOLOGIES, LLC AND SHOULD NOT BE USED WITHOUT WRITTEN PERMISSION		CURRENT REV DESC: EC NO: 630686 DRWN: SSM 2019/01/02 CHK'D: RSILLER 2020/01/17 APPR: RSILLER 2020/01/17		
	PRODUCT CUSTOMER DRAWING		DOCUMENT NUMBER: 1202510082 DOC TYPE: PSD DOC PART: 000 REVISION: A		
	MATERIAL NUMBER: SEE TABLE 1		CUSTOMER: GENERAL MARKET		
	SHEET NUMBER: 2 OF 2				