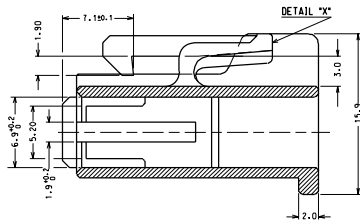
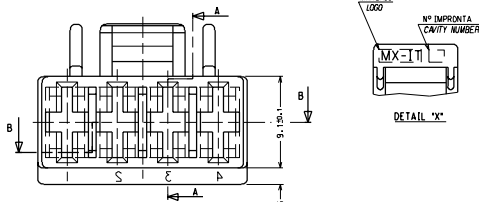
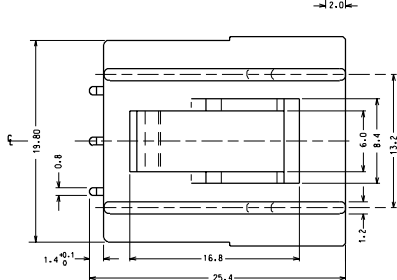


SEC. A-A



SEC. B-B

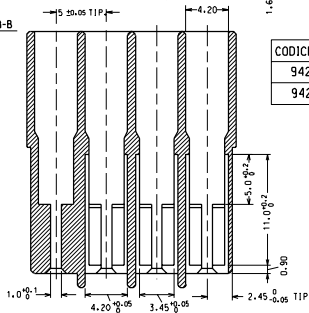
MARCHIO  
LOGON° IMPRONTA  
CAVITÀ NUMBER

DETAIL "X"

CODICE ART./P/N	COLORE/COLOR
94213-9004	BIANCO/WHITE
94213-9014	NERO/BLACK

MATERIALE: NYLON 6.6 V2  
MATERIAL: NYLON 6.6 V2

CONFEZIONE: BOX DA 5000 pz.  
PACKAGING: CARDBOARD BOXES  
5000 pcs/box



SPO= 5000 pz.

Descr. Std.: FEMM HOUSING W/LATCH 4 CKT

REV	DESCRIPTION	QUALITY SYMBOLS		GENERAL TOLERANCES: UNLESS SPECIFIED:	SCALE DESIGN UNITS		FIRST ANGLE PROJECTION	DIMENSIONS:		SHT	REV
		mm	INCH		mm	INCH		mm	INCH		
A2	EC NO. Z2001-0099 DRAWN: Gattardo 01-05-92 CHK'd: M. Previato 07-03-92 APPROV'd: Zolin 07-03-92	MAJOR M	SIGNIF. S	CRITICAL C	±0.1	±0.005	4:1	mm	mm		
		4 PLACES	±0.15	±	±0.05	±0.005	DRAWN BY & DATE F. Gattardo 05-10-92	TITLE:	HOUSING A 4 VIE PER FEMMINA HNF (CAIMANO) 4 CKT HOUSING FOR HNF ICAN/MANTEPERNAL		
		3 PLACES	±0.15	±	±0.05	±0.005	CHECKED BY & DATE		MOLEX INCORPORATED		
		2 PLACES	±0.15	±	±0.05	±0.005	APPROVED BY & DATE M. Previato 05-10-92		DRAWING NO. SD-94213-004		
		1 PLACE	±0.25	±	±0.05	±0.005	CAD FILENAME		SHEET NO. 1/1		
			ANGULARS	±	±0	±0.005			SIZE A3		
DRAFT WHERE APPLICABLE MUST REMAIN WITHIN DIMENSIONS					THIS DRAWING CONTAINS INFORMATION THAT IS PROPRIETARY TO MOLEX INCORPORATED AND SHOULD NOT BE USED WITHOUT WRITTEN PERMISSION.						