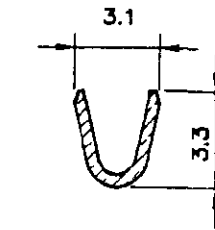
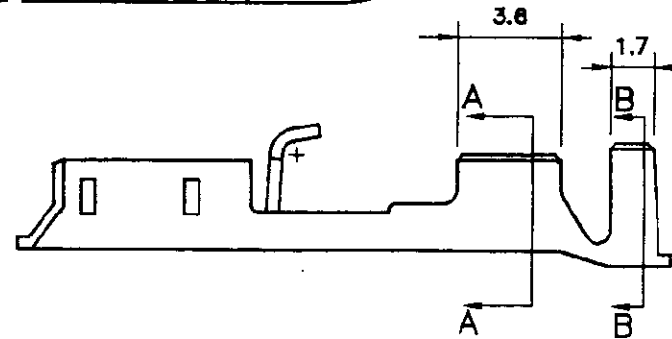
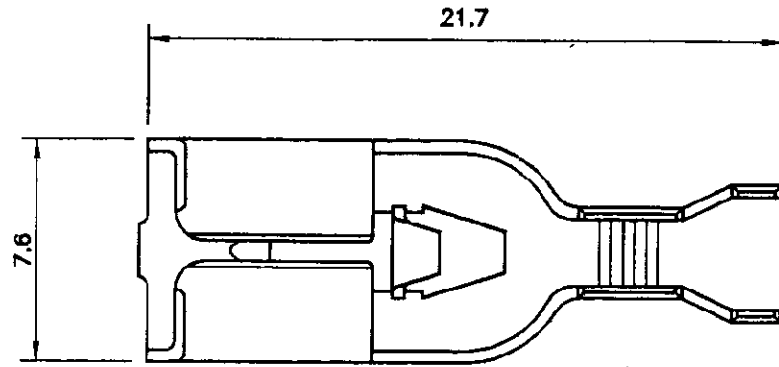
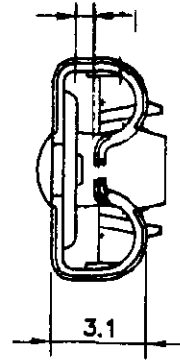
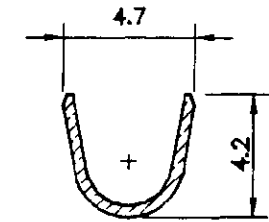


DRAWING MADE IN THIRD ANGLE PROJECTION

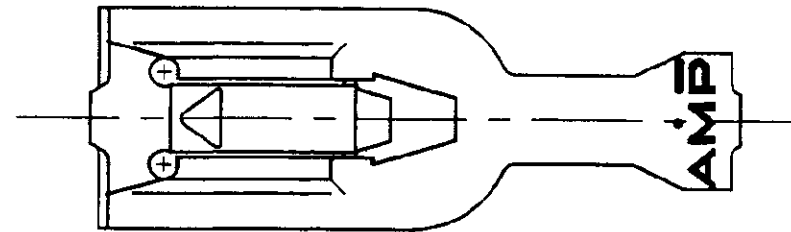
TO FIT AUSTRALIAN STANDARD
HOLE TAB (AS 3169)



SECTION A-A



SECTION B-B



THIS INFORMATION IS CONFIDENTIAL AND DISCLOSED TO YOU ON CONDITION THAT NO FURTHER DISCLOSURE IS MADE BY YOU TO OTHER THAN AMP PERSONNEL WITHOUT WRITTEN AUTHORIZATION FROM AUSTRALIAN AMP

CONTROLLED

| | | | | |
|--------------------------------|--|------------------------------------|---------|------------------|
| WIRE RANGE: 0.5-1.5 sq mm | | PRE TIN | BRASS | 190679-2 |
| INSULATION RANGE: Ø2.29-3.3 mm | | REMARKS | FINISH | PART No |
| | | DATE 06/04/94 | CHK FP | |
| | | DR RB | APP BL | |
| | | NAME | | LOC CODE |
| | | RECEPTACLE, POSI-LOCK, MKII, 0.250 | | U |
| | | SCALE AS 4:1 or shown | SIZE A3 | DWG No. C-190679 |
| | | SHEET 1 OF 1 | | REV B |

CUSTOMER DRAWING

ORIGINAL

8

7

6

5

4

3

2

1

F

E

D

C

B

A