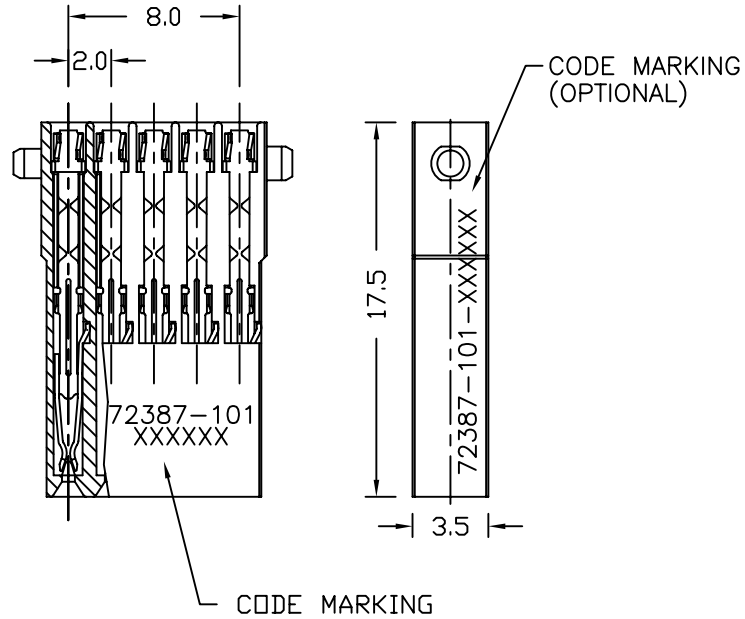
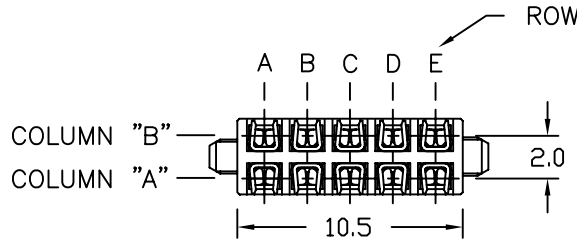


NOTES:

1. SEE APPLICATION SPECIFICATION GES-20-003 FOR INSTRUCTIONS ON WIRE INSERTION AND ASSEMBLY OF COMPONENTS FOR CONNECTORS USING THESE SUB-ASSEMBLIES.
2. THE PRODUCTS WHERE THE PART NUMBER ENDS IN LF MEET THE EUROPEAN UNION DIRECTIVES AND OTHER COUNTRY REGULATIONS AS DESCRIBED IN GS-22-008.
3. THESE PRODUCTS LISTED ON THIS DRAWING WILL NOT WITHSTAND WAVE SOLDER OR REFLOW OPERATIONS.
4. FOR LEAD FREE PART NUMBERS, ADD AN 'LF' SUFFIX. EXAMPLE: 72387-1011LF.

MATERIAL

- INSULATORS
GLASS FILLED 612 POLYAMIDE
- CONTACTS
PHOSPHOR BRONZE
- SOLDER FINISH ON IDC DIMPLES



mat'l. code				surface ASME Y14.5		tolerance ASME Y14.5		projection		product family		
tolerances unless otherwise specified				X #3		XX #18		XXX #051		METRAL		
ltr	ec'n no	dr	date	angles	fil	leg	fil	leg	MM	title		
A	V71561	JRV	11/6/97							2X5 CONNECTOR SUB-ASSEM. 5 ROW METRAL UNSHIELDED CABLE CONNECTOR ASSY.		
B	V12562	CGD	10/22/01							dwg no		
C	V05-0598	VS	08/10/05	0° ±2'					scale 1:1	sheet 1 of 2		
D	V06-0145	JRV	2/10/06	dr	J	VOLSTROF	11/6/97	FCI		size		
E	V06-0613	JRV	2006-06-22	engr	J	VOLSTROF	11/6/97			72387		A4
				chr	J	VOLSTROF	11/6/97			type		CUSTOMER Drawing
				appd	J	VOLSTROF	11/6/97					
sheet	revision	E	E									
index	sheet	1	2									



Copyright FCI

1 | 2



FCIconnect.com

3 |



4

ORDERING INFORMATION

ORDER PARTS 72387-XOY1 WHERE
PLATING ON CONTACT TINES.

- X=1 FOR 0.8 um GOLD
- X=2 FOR 2.0 um GOLD
- X=3 FOR 1.3 um GOLD
- X=9 FOR 0.8 um GXT

COPPER WIRE SIZE

- Y=1 FOR 26 TO 24 GAGE
- Y=2 FOR 30 TO 28 GAGE
- IDC AREA PLATING SnPb

ORDERING INFORMATION

ORDER PARTS 72387-XOY1LF WHERE
PLATING ON CONTACT TINES.

- X=1 FOR 0.8 um GOLD
- X=2 FOR 2.0 um GOLD
- X=3 FOR 1.3 um GOLD
- X=9 FOR 0.8 um GXT

COPPER WIRE SIZE

- Y=1 FOR 26 TO 24 GAGE
- Y=2 FOR 30 TO 28 GAGE
- IDC AREA PLATING Sn (LEAD FREE)

A

A

B

B

mat'l. code		surface ASME Y14.5 <input checked="" type="checkbox"/>		tolerance ASME Y14.5		projection 		product family METRAL		
ltr	ecn no	dr	date	tolerances unless otherwise specified		MM 		title 2X5 CONNECTOR SUB-ASSEM. 5 ROW METRAL UNSHIELDED CABLE CONNECTOR ASSY.		
E				angles	X #3 XX #18 XXX #051					
				0° ±2'		scale 1:1		dwg no		
				dr	J VOLSTROF	11/6/97			sheet 2 of 2	
				engr	J VOLSTROF	11/6/97			72387	
				chr	J VOLSTROF	11/6/97			size	
				appd	J VOLSTROF	11/6/97			A4	
sheet index	revision sheet							type		
								CUSTOMER Drawing		