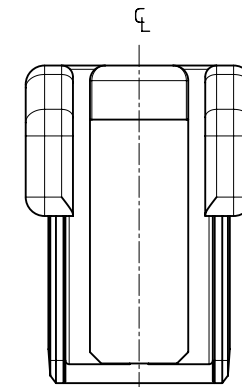
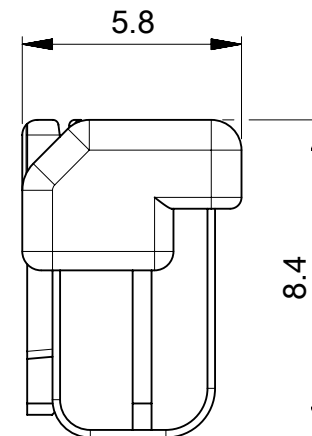


NOTES:

- 適合ターミナルシリーズ : 503657シリーズ
APPLICABLE TERMINAL : 503657 SERIES
- 嵌合相手 : 503660シリーズ
MATE WITH : 503660 SERIES
- 偶数極に適用。
APPLY FOR EVEN CIRCUIT.
- トレードマーク : MXLにて表示。
キャビティー番号 : 1桁から2桁の数字にて表示。 金型番号 : アルファベット1文字にて表示。
TRADE MARK IS FORMED BY MXL.
AND BY 1 - 2 DIGIT NUMBER (TO CAVITY No.)
AND BY 1 LETTER OF ALPHABET (TO MOLD No.)
- 本製品のプラスチック部に黒点等が確認される場合や、色合いが異なる場合が御座いますが、製品性能に影響は御座いません。
THERE IS NO INFLUENCE IN THE PRODUCT PERFORMANCE THOUGH THE BLACK SPOT ETC.
MIGHT BE CONFIRMED TO THE PLASTIC PART OF THIS PRODUCT AND
THE SHADE MIGHT BE DIFFERENT.
- 製品の取扱いについては、コネクタ取扱説明書(AS-503658-001)を参照願います。
PLEASE REFER TO INSTRUCTION MANUAL(AS-503658-001).
- ELV及びRoHS適合品
ELV AND RoHS COMPLIANT.

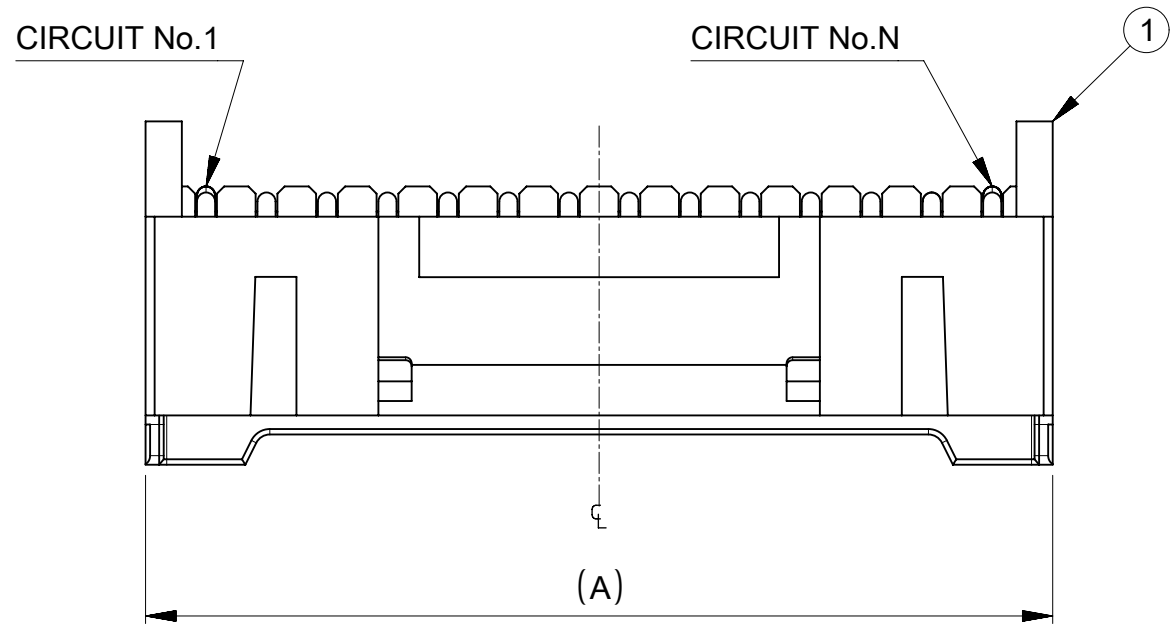


2,3極形状 (1ロック)
FIGURE OF 2,3 CIRCUIT (1 LOCK)

10	14	5036580600	503658-**00	6
8	12	5036580500		5
B	A	ORDER NO.	CONNECTOR SERIES NO.	CIRCUIT

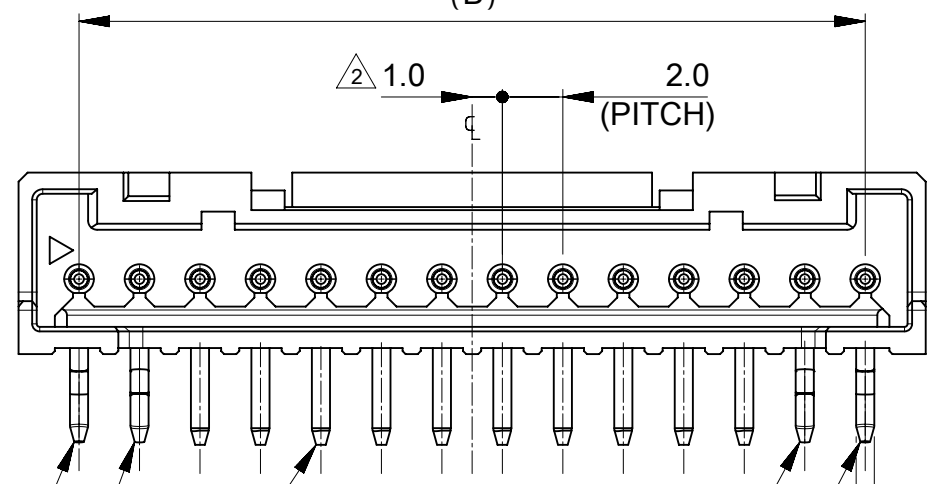
THIS DRAWING CONTAINS INFORMATION THAT IS PROPRIETARY TO MOLEX ELECTRONIC TECHNOLOGIES, LLC AND SHOULD NOT BE USED WITHOUT WRITTEN PERMISSION		CURRENT REV DESC:		molex	
DIMENSION UNITS	SCALE	EC NO: 628958			
MM	5:1	DRWN: AKUMAR19 2018/10/17		2.0 W/B CONN. SINGLE REC. CRIMP HS'G LOW-HALOGEN	
GENERAL TOLERANCES (UNLESS SPECIFIED)		CHK'D: GGA 2020/01/16		PRODUCT CUSTOMER DRAWING	
4 PLACES	± 0.2 ±	APPR: GGA 2020/01/16		DOCUMENT NUMBER	
3 PLACES	± 0.25 ±	INITIAL REVISION:		SD-503658-001	
2 PLACES	± 0.3 ±	DRWN: SSATO02 2010/08/06		DOC TYPE	
1 PLACE	± 0.1 ±	APPR: NUKITA 2010/08/16		PSD	
0 PLACES	± ±	DRAFT WHERE APPLICABLE MUST REMAIN WITHIN DIMENSIONS		DOC PART	
ANGULAR TOL	± 1.0°	THIRD ANGLE PROJECTION		001	
		DRAWING		REVISION	
		A3-SIZE		C	
		SERIES		SHEET NUMBER	
		503658		1 OF 1	
		MATERIAL NUMBER		CUSTOMER	
		SEE TABLE		GENERAL MARKET	

部品 PART	材質 MATERIAL
ハウジング HOUSING	ポリエステル(PBT) UL94V-0 POLYESTER UL94V-0 色 : ナチュラル(白) COLOR : NATURAL(WHITE)

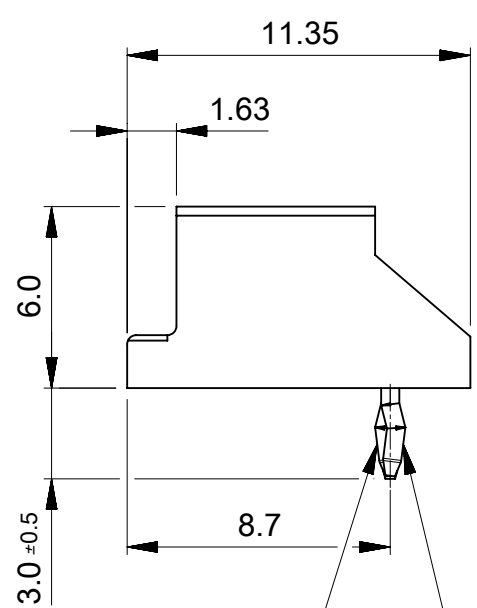


(A)

(B)

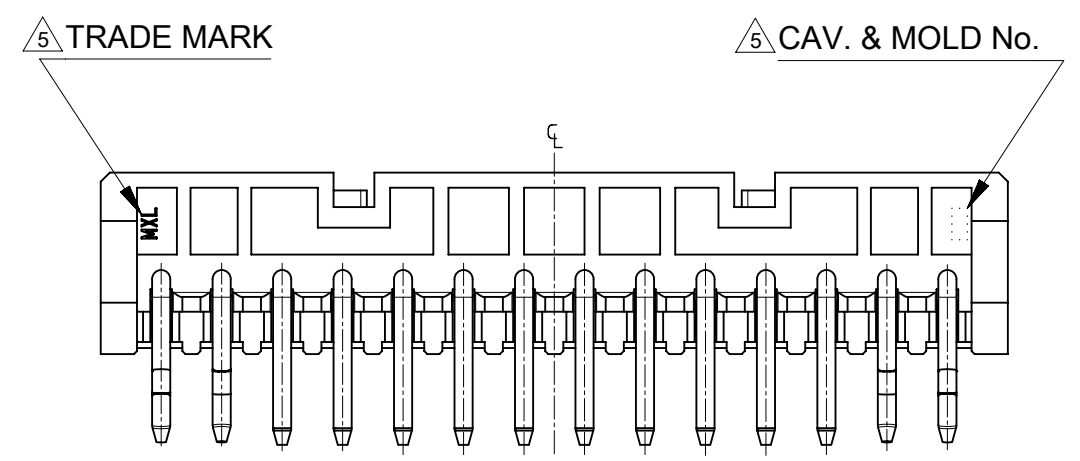


△ 1.0 2.0
 (PITCH)



△ 3 △ 4 キンク形状Ⅱ
 KINK FORM

△ 3 △ 4 キンク形状Ⅰ
 KINK FORM



△ 3 △ 4 キンク形状Ⅰ
 KINK FORM

△ 3 △ 4 キンク形状Ⅱ
 KINK FORM

△ 3 △ 4 キンク形状Ⅱ
 KINK FORM

△ 3 △ 4 キンク形状Ⅰ
 KINK FORM

△ 3 △ 4 キンク形状Ⅰ
 KINK FORM

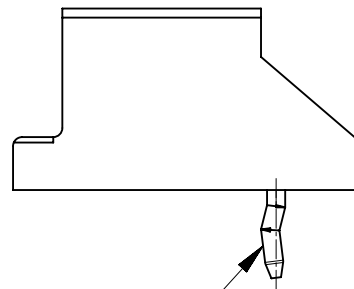
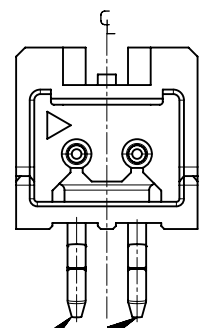
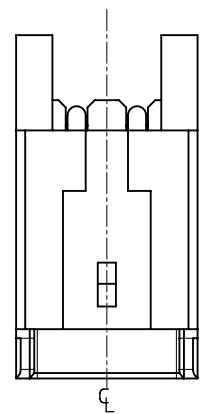
10	14	503660-0610	6	503660-**10
8	12	503660-0510	5	ボス無(WITHOUT BOSS)
B	A	TRACK PACKAGE	CIRCUIT	CONNECTOR SERIES NO.
		ORDER NO.		

No.	部品 PART	材質 MATERIAL
①	ハウジング HOUSING	ポリエステル(PBT),ガラス充填,UL94V-0 POLYESTER, GLASS FILLED, UL94V-0 色 : ナチュラル (白) COLOR : NATURAL (WHITE)
②	ピン PIN	黄銅, 錫めっき BRASS, Sn PLATED

GENERAL TOLERANCES (UNLESS SPECIFIED)	
10 UNDER	±0.2
10 OVER 30 UNDER	±0.25
30 OVER	±0.3

THIS DRAWING CONTAINS INFORMATION THAT IS PROPRIETARY TO MOLEX ELECTRONIC TECHNOLOGIES, LLC AND SHOULD NOT BE USED WITHOUT WRITTEN PERMISSION

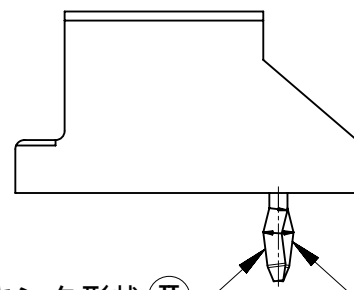
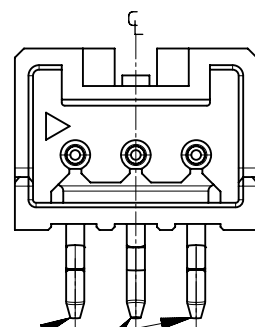
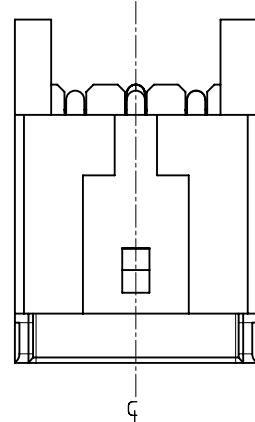
DIMENSION UNITS mm	SCALE 4:1	CURRENT REV DESC:	
GENERAL TOLERANCES (UNLESS SPECIFIED)		molex	
4 PLACES ±		2.0 W/B CONN. SINGLE DIP R/A PLUG HS'G ASS'Y WITHOUT BOSS	
3 PLACES ±		PRODUCT CUSTOMER DRAWING	
2 PLACES ±		DOCUMENT NUMBER SD-503660-001	
1 PLACE ±		DOC TYPE DOC PART REVISION PSD 001 C	
0 PLACES ±		MATERIAL NUMBER CUSTOMER SEE TABLE GENERAL MARKET	
ANGULAR TOL ± 1.0°		SHEET NUMBER 1 OF 3	
DRAFT WHERE APPLICABLE MUST REMAIN WITHIN DIMENSIONS		THIRD ANGLE PROJECTION DRAWING A3-SIZE	
		SERIES 503660	



△4 キンク形状 Ⅱ
KINK FORM

△4 キンク形状 Ⅱ
KINK FORM

FIGURE OF 2 CIRCUIT
SCALE 4:1



△4 キンク形状 Ⅱ
KINK FORM

△4 キンク形状 Ⅱ
KINK FORM

△4 キンク形状 Ⅰ
KINK FORM

△4 キンク形状 Ⅰ
KINK FORM

FIGURE OF 3 CIRCUIT
SCALE 4:1

NOTES:

1. 嵌合相手 : 503658シリーズ
MATE WITH : 503658 SERIES.
2. 偶数極に適用。
APPLY FOR EVEN CIRCUIT.
3. キンクは両端2ピンに付加。
KINK ATTACHED TO THE POSITION OF 2PINS TO BOTH OUTSIDE ENDS.
4. 2極以外のキンク形状は両サイドが Ⅰ、それ以外のキンク形状は全て Ⅱ形状とする。
3極のキンク形状は両サイドに Ⅱ、2ピン目に Ⅰ形状を付加する。
MORE THAN 2 CIRCUIT : PINS AT BOTH ENDS ARE KINK FORMED TO Ⅰ.
THE OTHER PINS ARE KINK FORMED TO Ⅱ.
3 CIRCUIT : PINS AT BOTH ENDS ARE KINK FORMED TO Ⅱ.
THE OTHER PINS ARE KINK FORMED TO Ⅰ.
5. トレードマーク : MXLにて表示。
キャビティー番号 : 1桁から2桁の数字にて表示。 金型番号 : アルファベット1文字にて表示。
TRADE MARK IS FORMED BY MXL.
AND BY 1 - 2 DIGIT NUMBER (TO CAVITY No.)
AND BY 1 LETTER OD ALPHABET (TO MOLD No.)
6. 本製品のプラスチック部に黒点等が確認される場合や、色合いが異なる場合が御座いますが、製品性能に影響は御座いません。
THERE IS NO INFLUENCE IN THE PRODUCT PERFORMANCE THOUGH THE BLACK SPOT ETC.
MIGHT BE CONFIRMED TO THE PLASTIC PART OF THIS PRODUCT AND
THE SHADE MIGHT BE DIFFERENT.
7. 製品の取り扱いについては、コネクタ取扱い説明書(AS-503658-001)を参照願います。
PLEASE REFER TO INSTRUCTION MANUAL(AS-503658-001)
8. ELV及びRoHS適合品
ELV AND RoHS COMPLIANT

THIS DRAWING CONTAINS INFORMATION THAT IS PROPRIETARY TO MOLEX ELECTRONIC TECHNOLOGIES, LLC AND SHOULD NOT BE USED WITHOUT WRITTEN PERMISSION

DIMENSION UNITS		SCALE		CURRENT REV DESC:			
mm		4:1		<p>molex</p> <p>2.0 W/B CONN. SINGLE DIP R/A PLUG HS'G ASS'Y WITHOUT BOSS</p> <p>PRODUCT CUSTOMER DRAWING</p> <p>EC NO: 620398 DRWN: AKUMAR19 2019/01/15 CHK'D: GGA 2019/10/18 APPR: GGA 2019/10/18</p> <p>INITIAL REVISION: DRWN: SSATO02 2010/08/06 APPR: NUKITA 2010/08/16</p> <p>DOCUMENT NUMBER: SD-503660-001 DOC TYPE: PSD DOC PART: 001 REVISION: C</p> <p>DRAFT WHERE APPLICABLE MUST REMAIN WITHIN DIMENSIONS</p> <p>THIRD ANGLE PROJECTION</p> <p>DRAWING: A3-SIZE SERIES: 503660 MATERIAL NUMBER: SEE TABLE CUSTOMER: GENERAL MARKET SHEET NUMBER: 2 OF 3</p>			
GENERAL TOLERANCES (UNLESS SPECIFIED)							
4 PLACES	±	MM	INCH				
3 PLACES	±						
2 PLACES	±						
1 PLACE	±						
0 PLACES	±						
ANGULAR TOL ± 1.0°							
DRAFT WHERE APPLICABLE MUST REMAIN WITHIN DIMENSIONS							

GENERAL TOLERANCES (UNLESS SPECIFIED)	
10 UNDER	±0.2
10 OVER 30 UNDER	±0.25
30 OVER	±0.3

