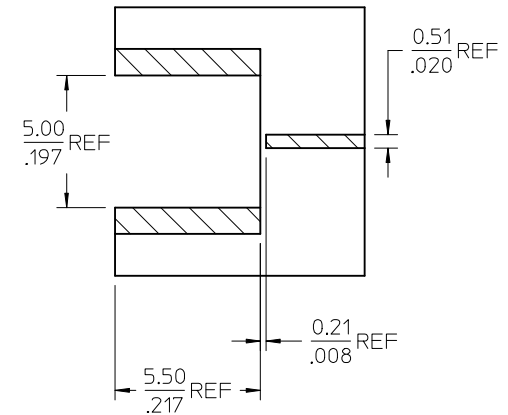
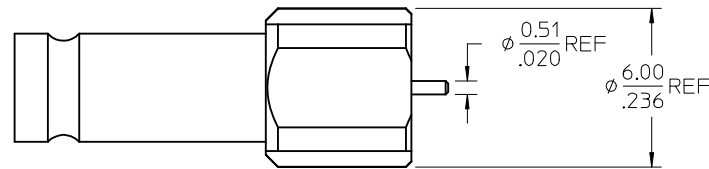
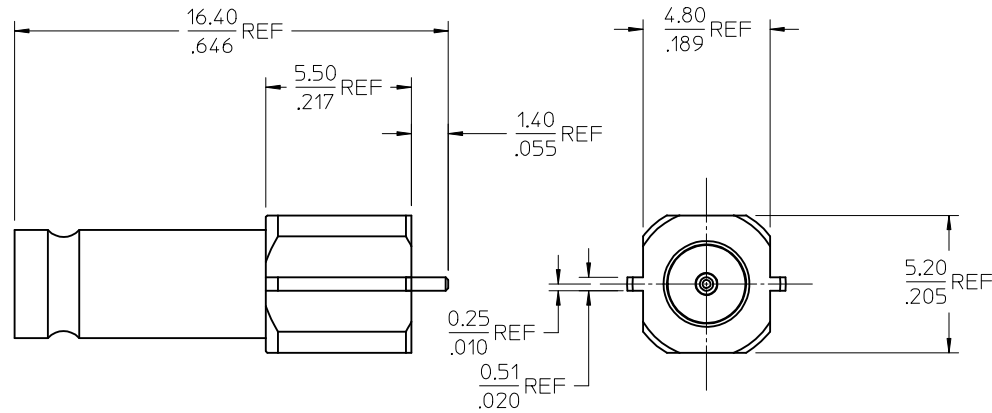
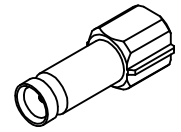


MATERIALS AND FINISHES

BODY: BRASS
PLATED SEE TABLE

CENTER CONTACT: BERYLLIUM COPPER
PLATED SEE TABLE

INSULATOR: TEFLON (UL94 V-0)

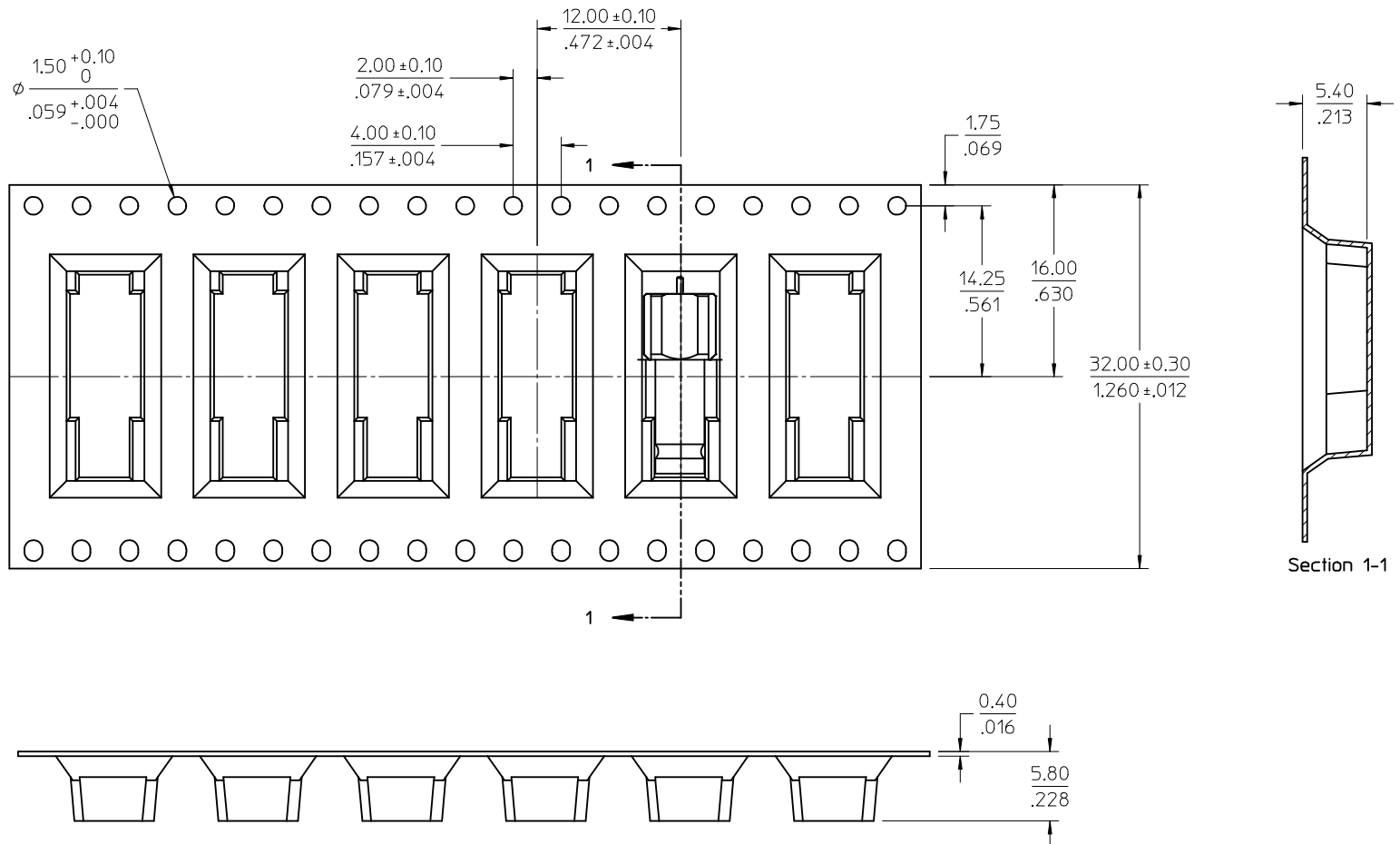


RECOMMENDED PCB LAYOUT
DESIGN FOR 75 OHM CPW OR STRIP LINE

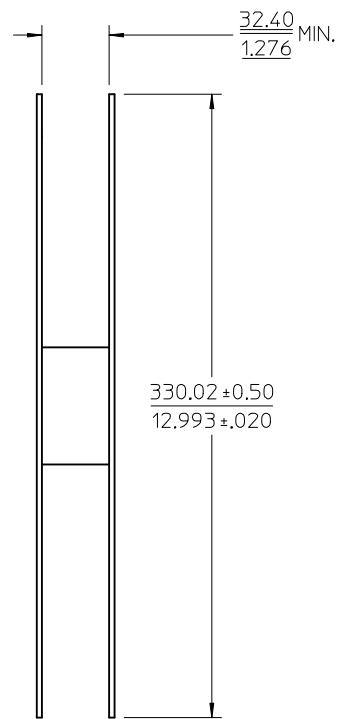
73174-0832	Au 30 MICRO-IN MIN	Ni 100 MICRO-IN MIN	Au 30 MICRO-IN MIN	Ni 100 MICRO-IN MIN	TAPE&REEL
73174-0831	Au 10 MICRO-IN MIN	Ni 100 MICRO-IN MIN	Au 30 MICRO-IN MIN	Ni 100 MICRO-IN MIN	TRAY
73174-0830	Au 30 MICRO-IN MIN	Ni 100 MICRO-IN MIN	Au 30 MICRO-IN MIN	Ni 100 MICRO-IN MIN	TRAY
PART NO.	FINISH BODY	UNDERPLATE	FINISH CONTACT	UNDERPLATE	PACKAGING

CECC-22-230	INTERFACE 75 OHM
SPECIFICATION	DESCRIPTION

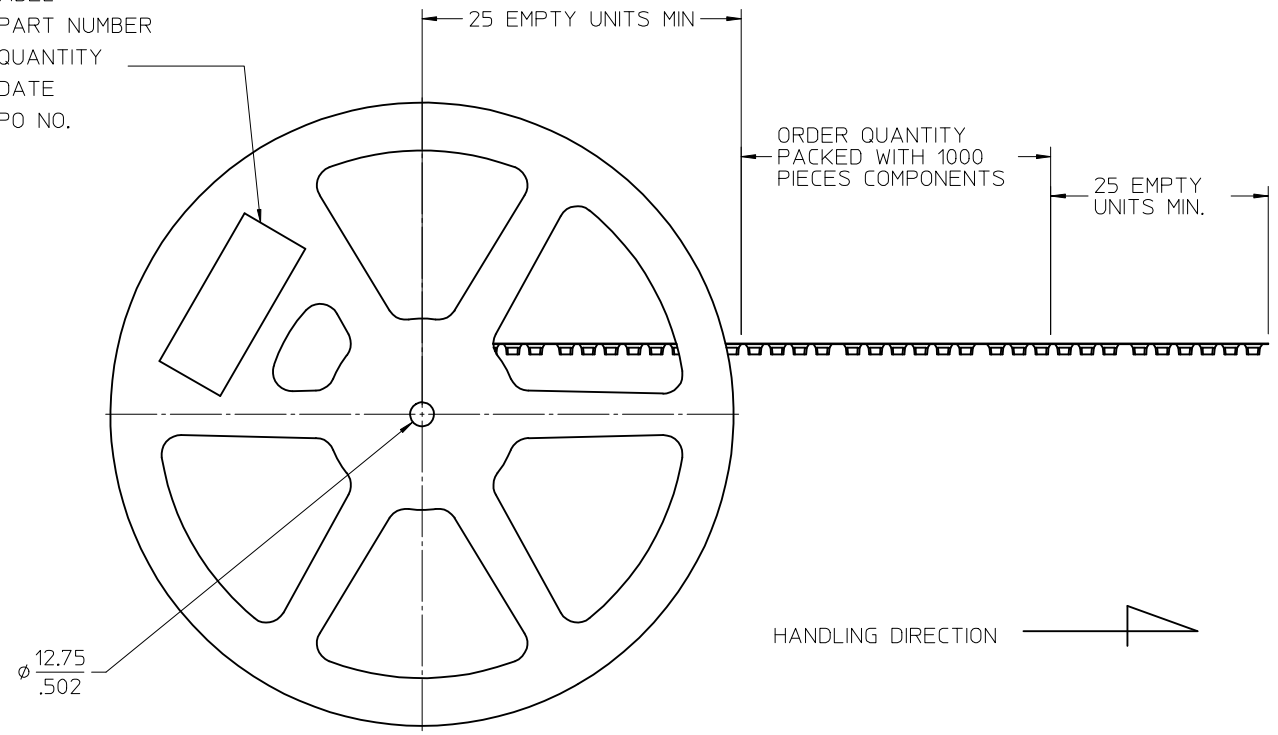
CHG:1 ADDED P/N 73174-0832 2. ADD T&R PACKING DRAWING EC NO: URF2015-0578 DRWN: YCHENG 2015/04/17 CHKD: APPR: YCHENG 2015/04/27 REV: A1	QUALITY SYMBOLS 	GENERAL TOLERANCES (UNLESS SPECIFIED) <table border="1"> <tr> <th></th> <th>mm</th> <th>INCH</th> </tr> <tr> <td>4 PLACES</td> <td>± .005</td> <td>± .0002</td> </tr> <tr> <td>3 PLACES</td> <td>± .004</td> <td>± .00015</td> </tr> <tr> <td>2 PLACES</td> <td>± .003</td> <td>± .0001</td> </tr> <tr> <td>1 PLACE</td> <td>± .002</td> <td>± .000075</td> </tr> </table> ANGULAR ± 2°		mm	INCH	4 PLACES	± .005	± .0002	3 PLACES	± .004	± .00015	2 PLACES	± .003	± .0001	1 PLACE	± .002	± .000075	DIMENSION STYLE MM/IN DRAWN BY: JDW DATE: 2009/01/30 CHECKED BY: SSS DATE: 2009/01/30 APPROVED BY: JDW DATE: 2009/01/30 MATERIAL NO. SEE TABLE SIZE C	SCALE: DESIGN UNITS METRIC TITLE: 10/23 JACK SMT PCB 75/75 OHMS EDMOUNT 10/23-JR, EWR-3908 MOLEX INCORPORATED DOCUMENT NO. SD-73174-0830 SHEET NO. 1 OF 3
		mm	INCH																
	4 PLACES	± .005	± .0002																
	3 PLACES	± .004	± .00015																
2 PLACES	± .003	± .0001																	
1 PLACE	± .002	± .000075																	
DRAFT WHERE APPLICABLE MUST REMAIN WITHIN DIMENSIONS		THIS DRAWING CONTAINS INFORMATION THAT IS PROPRIETARY TO MOLEX INCORPORATED AND SHOULD NOT BE USED WITHOUT WRITTEN PERMISSION																	



CHG:SEE SHEET1 EC NO: URF2015-0578 DRWN:YCHENG 2015/04/17 CHKD: APPR:YCHENG 2015/04/27	QUALITY SYMBOLS	GENERAL TOLERANCES (UNLESS SPECIFIED)		DIMENSION STYLE MM/IN		SCALE	DESIGN UNITS METRIC	THIRD ANGLE PROJECTION
	▽=0	4 PLACES ±	mm	INCH	DRAWN BY	DATE	TITLE 1.0/2.3 JACK SMT PCB 75/75 OHMS EDGEMOUNT 10/23-JR, EWR-3908 molex	SHEET NO. 2 OF 3
	▽=0	3 PLACES ±			CHECKED BY	DATE		
	▽=0	2 PLACES ±			APPROVED BY	DATE		
	1 PLACE ±			JDW	2009/01/30			
		0 PLACE ±			MATERIAL NO.	DOCUMENT NO.		
			ANGULAR ± 2°		SEE SHEET1		SD-73174-0830	
			DRAFT WHERE APPLICABLE MUST REMAIN WITHIN DIMENSIONS		THIS DRAWING CONTAINS INFORMATION THAT IS PROPRIETARY TO MOLEX INCORPORATED AND SHOULD NOT BE USED WITHOUT WRITTEN PERMISSION			



LABEL
 -PART NUMBER
 -QUANTITY
 -DATE
 -PO NO.



73174-0832 PACKING TAPE&RELL

NOTES:
 1.DIMENSIONS ARE PROVIDES FOR REFERENCE ONLY
 2. COMPONENT LOAD PER 13" REEL 1000PCS

CHG:SEE SHEET1 EC NO: URF2015-0578 DRAWN:YCHENG 2015/04/17 CHKD: APPR:YCHENG 2015/04/27	QUALITY SYMBOLS	GENERAL TOLERANCES (UNLESS SPECIFIED)		DIMENSION STYLE	SCALE	DESIGN UNITS	THIRD ANGLE PROJECTION
	▽=0	mm	INCH	MM/IN		METRIC	
	▽=0	4 PLACES ± ---	± ---	DRAWN BY	DATE	TITLE	
	▽=0	3 PLACES ± ---	± ---	CHECKED BY	DATE	10/2.3 JACK SMT PCB 75/75 OHMS EDMOUNT 10/23-JR, EWR-3908	
REV	DESCRIPTION	ANGULAR ± 2 °		APPROVED BY	DATE	MATERIAL NO. DOCUMENT NO. SHEET NO.	
A1		DRAFT WHERE APPLICABLE MUST REMAIN WITHIN DIMENSIONS		JDW	2009/01/30	SEE SHEET SD-73174-0830 3 OF 3	
				THIS DRAWING CONTAINS INFORMATION THAT IS PROPRIETARY TO MOLEX INCORPORATED AND SHOULD NOT BE USED WITHOUT WRITTEN PERMISSION			