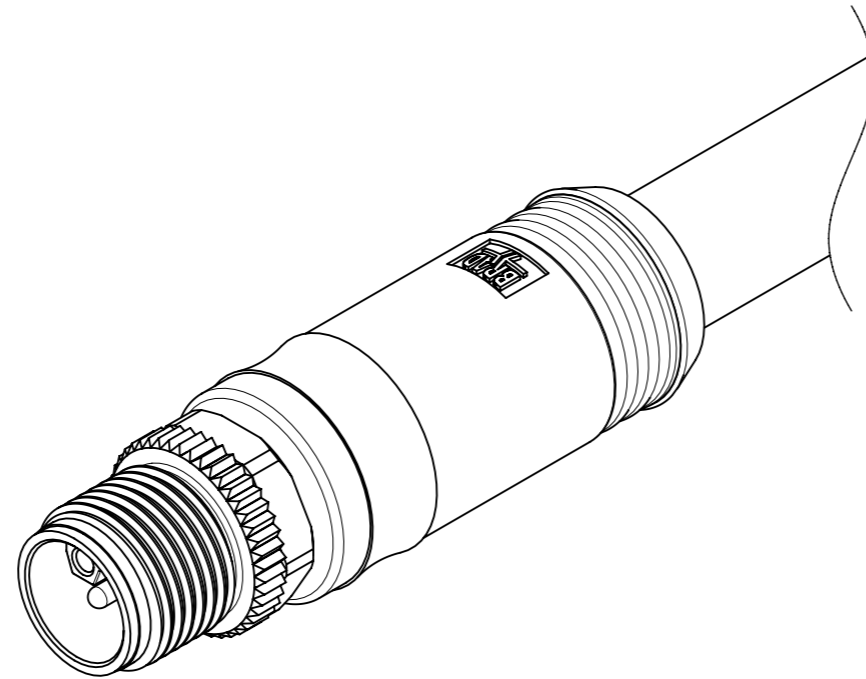
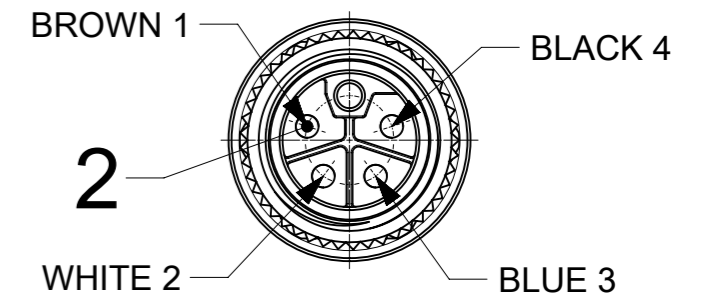


MATING SIDE



NOTES:

RATED VOLTAGE: MAX. 63V AC/DC  
 RATED CURRENT: MAX. 16A at 40°C (derating has to be considered)  
 IP RATING: IP67 (mated and locked condition)  
 TEMPERATURE RANGE: -25°C TO +85°C

CABLE PRINTING (sequence as shown below):

- MOLEX engineering no. (see page 2)
- MOLEX material no. (see page 2)
- MOLEX MAX. 63V AC/DC MAX. 16 A USR
- MOLEX AND DATE OF MANUFACTURING (YY=YEAR; WW=WEEK): MXYWW
- Not for current interrupting
- PROFINET 24V Power 4x2,5

PART ACCORDING PRODUCT SPEC: 1205010169

PACKAGING ACCORDING PACKAGING SPEC: 1201202000

TABLE 1

POS	DESCRIPTION	MATERIAL	FINISH
1	NUT M12 MA	BRASS	Ni
2	CONTACT 15 MA	BRASS	Au
3	INSERT	PA	BLACK
4	OVERMOLD	TPE	BLACK
5	CABLE 4x2.5 D10.1 WSOR	PUR	BLACK
OPTIONAL 6	ID CARRIER	-	-

FUNCTIONAL SYMBOLS	THIS DRAWING CONTAINS INFORMATION THAT IS PROPRIETARY TO MOLEX ELECTRONIC TECHNOLOGIES, LLC AND SHOULD NOT BE USED WITHOUT WRITTEN PERMISSION			
	DIMENSION UNITS: mm SCALE: 2:1 GENERAL TOLERANCES (UNLESS SPECIFIED): ANGULAR TOL ± 1.0° 4 PLACES ± 3 PLACES ± 2 PLACES ± 0.05 1 PLACE ± 0.3 0 PLACES ± 0.5	EC NO: 735577 DRWN: NIKHIS3 CHK'D: RSILLER APPR: RSILLER INITIAL REVISION: DRWN: FDAFERNER APPR: RSILLER		
DIVISIONAL SYMBOLS	DRAFT WHERE APPLICABLE MUST REMAIN WITHIN DIMENSIONS		THIRD ANGLE PROJECTION 	DRAWING: A3-SIZE SERIES: 120500 MATERIAL NUMBER: SEE TABLE 2 CUSTOMER: GENERAL MARKET SHEET NUMBER: 1 OF 2

# ENGINEERING NO - NUMERICAL CODE (Available parts see PART LIST table. Other parts available upon request).

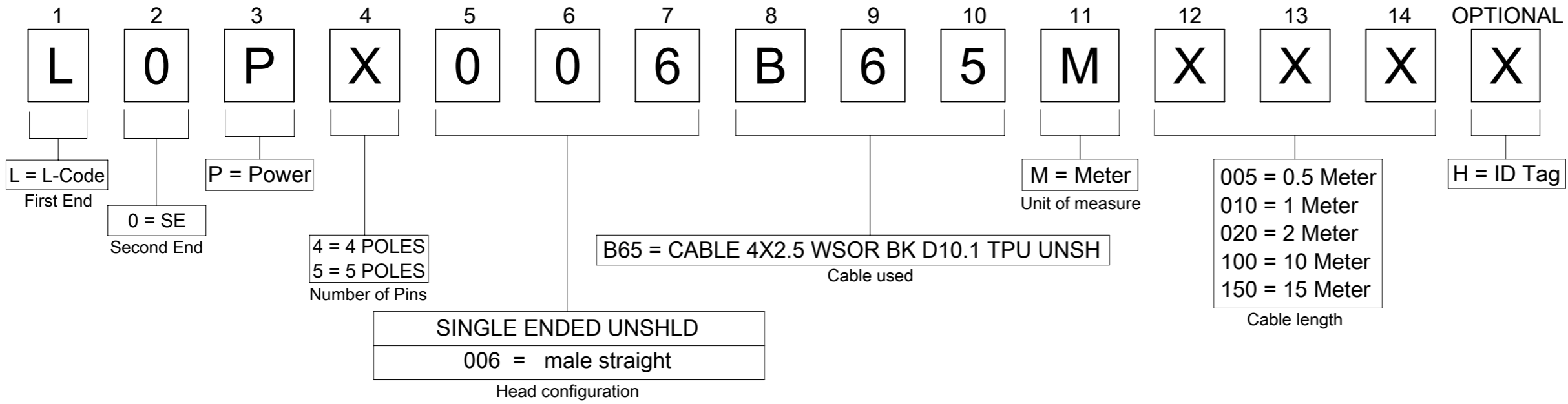

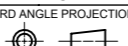


TABLE 2

NOMINAL SECTION 2,5mm <sup>2</sup>			
MATERIAL NO.	ENGINEERING NO.	L [mm]	TOLERANCE [mm]
1205000242	L0P4006B65M010	1000	+40
1205000243	L0P4006B65M020	2000	+60
1205000244	L0P4006B65M030	3000	+60
1205000245	L0P4006B65M050	5000	+60
1205000246	L0P4006B65M100	10000	+80
1205000247	L0P4006B65M150	15000	+140
1205000248	L0P4006B65M200	20000	+140

FUNCTIONAL SYMBOLS	THIS DRAWING CONTAINS INFORMATION THAT IS PROPRIETARY TO MOLEX ELECTRONIC TECHNOLOGIES, LLC AND SHOULD NOT BE USED WITHOUT WRITTEN PERMISSION		
	DIMENSION UNITS	SCALE	CURRENT REV DESC: UPDATED ATTRIBUTE TO GENERAL MARKET IN ECTR
$\nabla_A = 0$	mm	1:1	 CSE M12 4P LC MA STR WSOR BK XM UNSH
$\nabla_B = 0$	GENERAL TOLERANCES (UNLESS SPECIFIED)		
$\nabla_C = 0$	ANGULAR TOL ± 1.0°		EC NO: 735577
DIVISIONAL SYMBOLS	4 PLACES	±	DRWN: NIKHIS3 2023/01/12
	3 PLACES	±	CHK'D: RSILLER 2023/01/19
	2 PLACES	± 0.05	APPR: RSILLER 2023/01/19
	1 PLACE	± 0.3	INITIAL REVISION:
	0 PLACES	± 0.5	DRWN: FDAFERNER 2020/05/13 APPR: RSILLER 2021/10/05
DRAFT WHERE APPLICABLE MUST REMAIN WITHIN DIMENSIONS		THIRD ANGLE PROJECTION	DRAWING
			A3-SIZE
		SERIES	120500
		MATERIAL NUMBER	SEE TABLE 2
		CUSTOMER	GENERAL MARKET
		DOCUMENT NUMBER	1205000242
		DOC TYPE	PSD
		DOC PART	000
		REVISION	A1
		SHEET NUMBER	2 OF 2