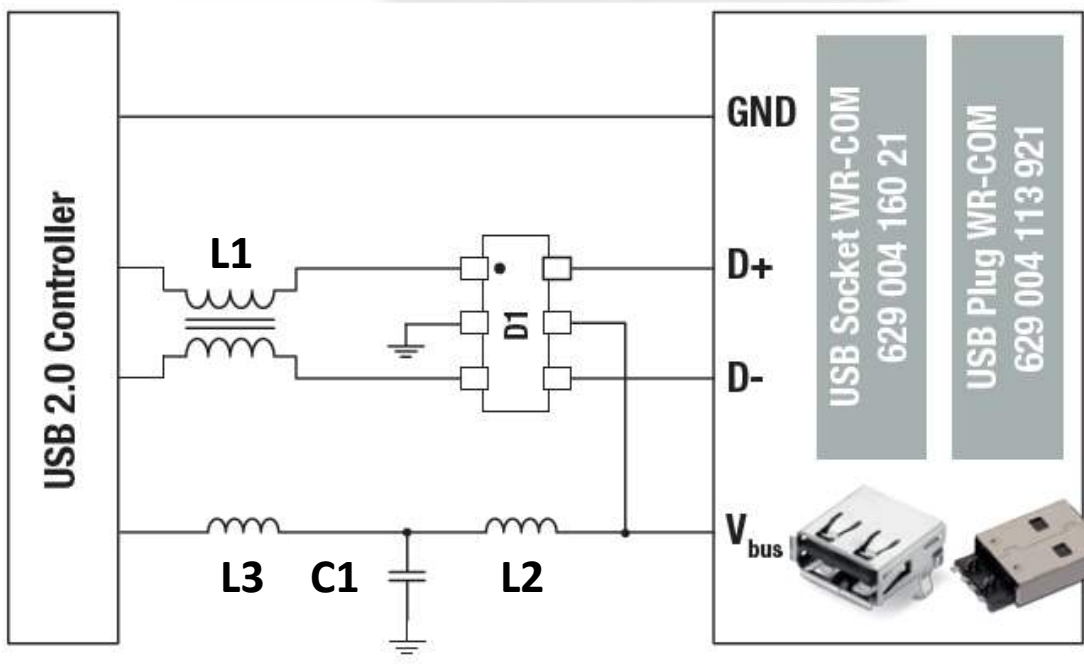
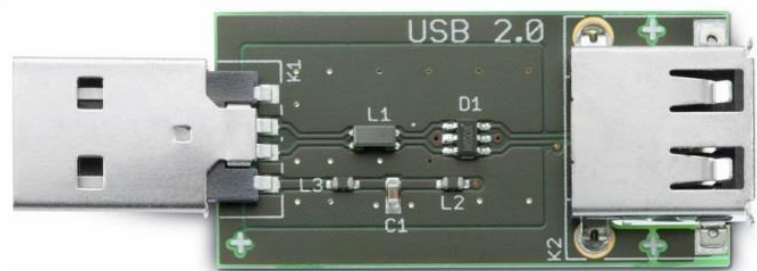




Order Code: 829999STICK

# USB 2.0 EMC Stick with integrated ESD Protection and EMI Filter



L1 WE-CNSW	<b>744 232 090</b>	
	Size: 1206	
	I <sub>R</sub> : 370 mA	
	Z: 90 Ω	

L2 + L3 WE-CBF	<b>742 792 651</b>	
	Size: 0603	
	I <sub>R</sub> : 1000 mA	
	Z: 600 Ω	

C1 WCAP-CSGP	<b>885 012 206 051</b>	
	Size: 0603	
	C: 680 nF	
	U <sub>R</sub> : 16 V	

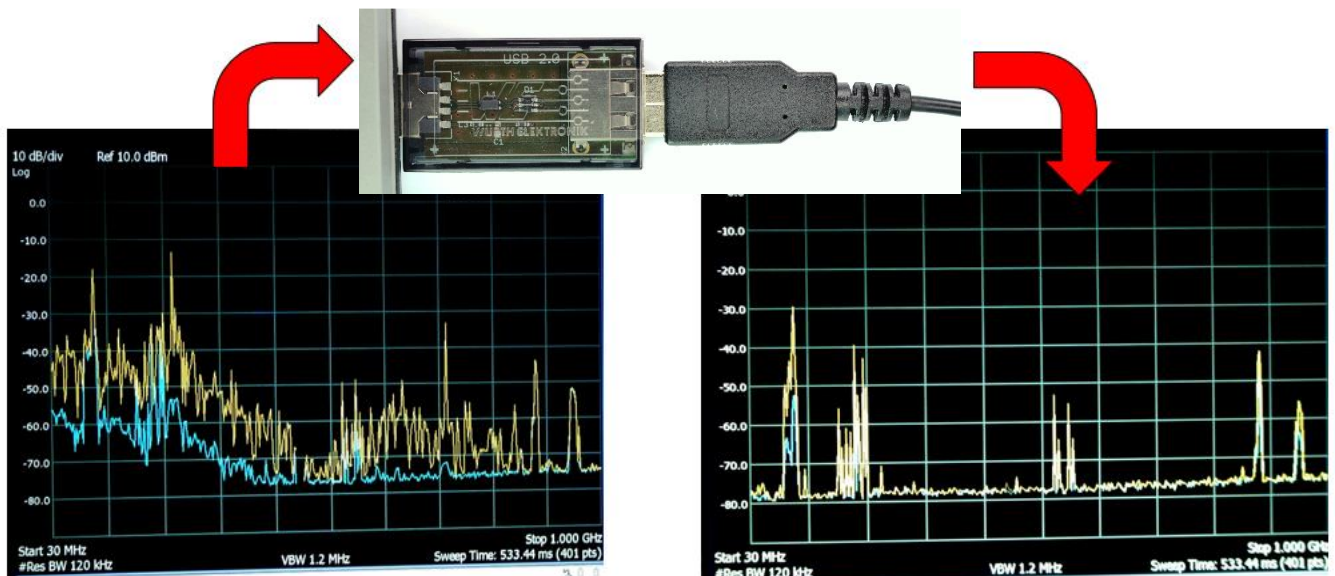
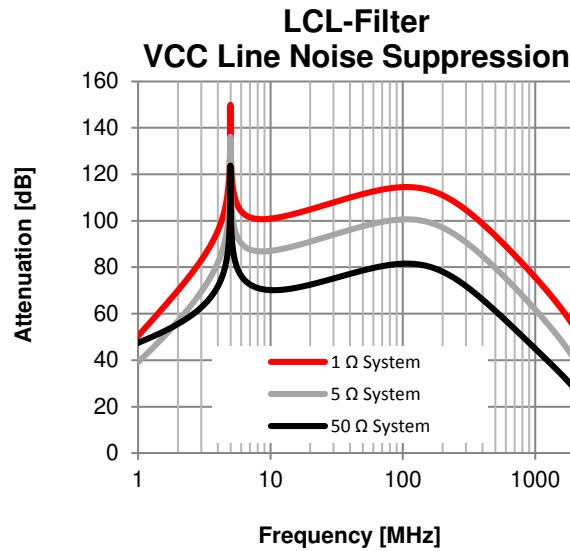
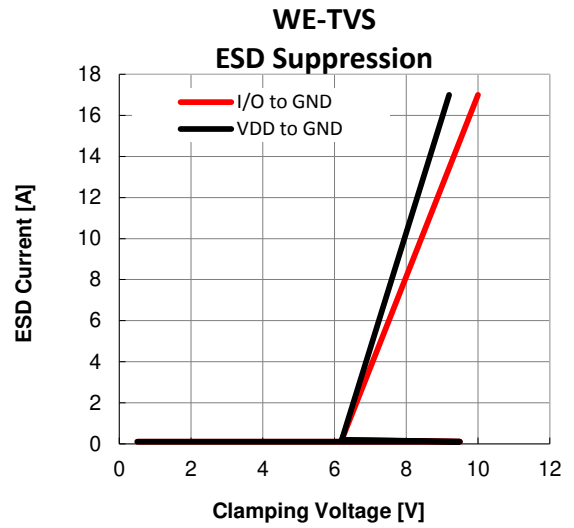
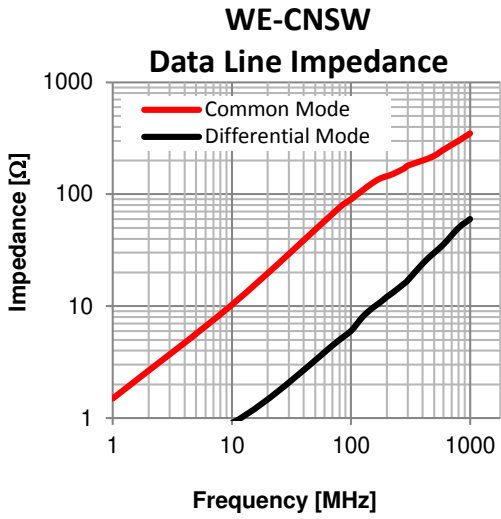
D1 WE-TVS	<b>824 001 02</b>	
	Size: SOT23-6L	
	V <sub>DC</sub> : 6.0 V	
	C <sub>X</sub> : 0.4 pF	

ONLY FOR DESIGN PURPOSES

Order Code: 829999STICK



# Electrical Properties:



Noise without filter

Noise with filter

ONLY FOR DESIGN PURPOSES