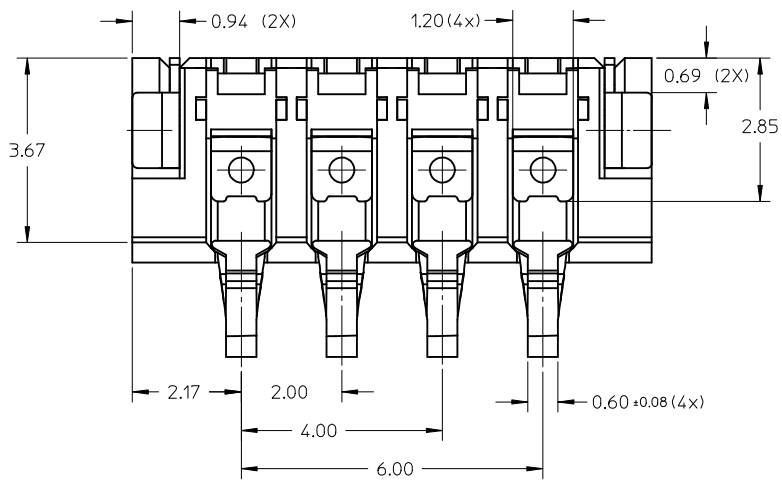
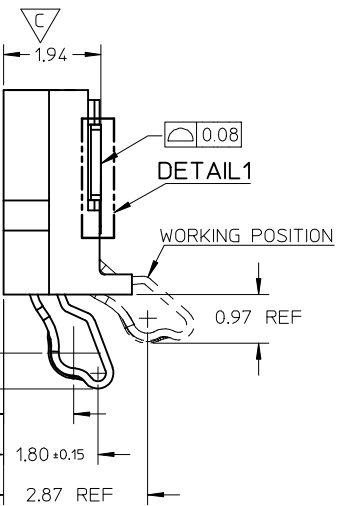
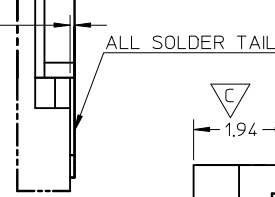
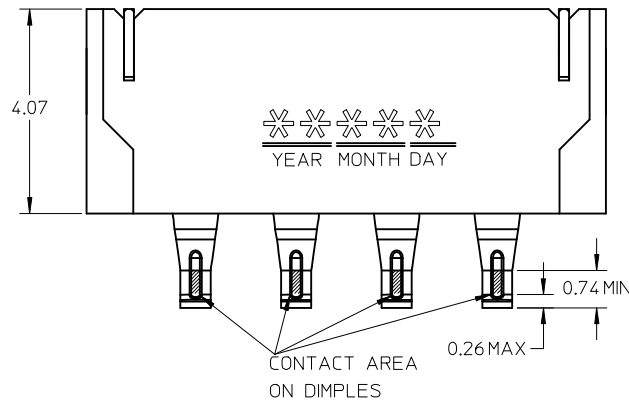
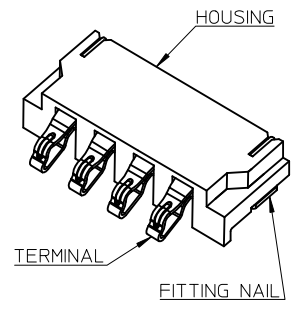
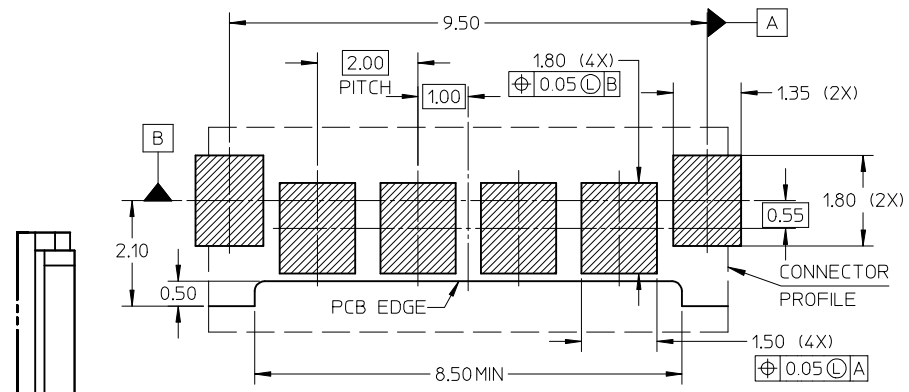
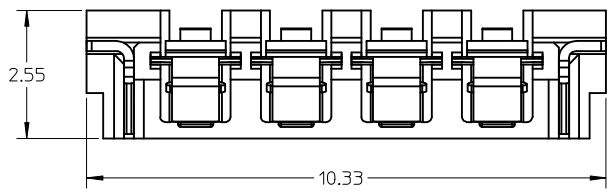


10 9 8 7 6 5 4 3 2 1



NOTES:
 1.MATERIAL: TERMINAL : BERYLLIUMCOPPER (BeCu)
 HOUSING : LCP, GLASS FILLED, UL94V-0, COLOR:BLACK
 FITTING NAIL: BRASS
 2.FINISH: TERMINAL:50 μ Min NICKEL UNDERPLATE
 30 μ Min GOLD PLATING ON CONTACT AREA
 GOLD FLASH PLATING ON SOLDER AREA
 FITTING NAIL:100 μ Min TIN ALLOY PLATING OVERALL
 50 μ Min NICKEL UNDERPLATE
 3.PRODUCT SPECIFICATION: PS-105075-001
 4.PACKAGEING SPECIFICATION: PK-105075-001
 5.COMPLIANT TO RoHS DIRECTIVE 2002/95/EC
 AND ELV DIRECTIVE 2000/53/EC.

REVISED	EC NO:	2009/09/08	DESCRIPTION	2009/10/15
	DRWN:TPWU			
	CHKD:			
	APPR:			

QUALITY SYMBOLS	▽=0
	∇=2

GENERAL TOLERANCES (UNLESS SPECIFIED)	mm	INCH
4 PLACES	± ---	± ---
3 PLACES	± ---	± ---
2 PLACES	± 0.13	± ---
1 PLACE	± ---	± ---
ANGULAR ± 2 °		
DRAFT WHERE APPLICABLE MUST REMAIN WITHIN DIMENSIONS		

DIMENSION STYLE		SCALE	DESIGN UNITS	THIRD ANGLE PROJECTION
MM ONLY		10:1	METRIC	
DRAWN BY	DATE	TITLE		
YWANG	2008/07/22	4 PIN BATTERY CONNECTOR		
CHECKED BY	DATE	2.0MM PITCH		
YLZHU	2008/07/22	SALES DRAWING		
APPROVED BY	DATE	MOLEX INCORPORATED		
HWANG	2008/07/22	DOCUMENT NO.		
MATERIAL NO.		SHEET NO.		
1050750001		1 OF 1		

MATERIAL NO.		SHEET NO.	
1050750001		1 OF 1	

9 8 7 6 5 4 3 2 1