

6 5 4 3 2 1

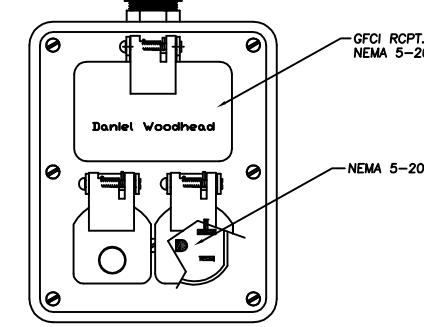
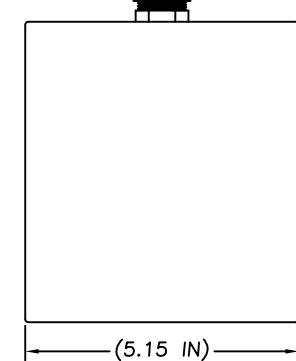
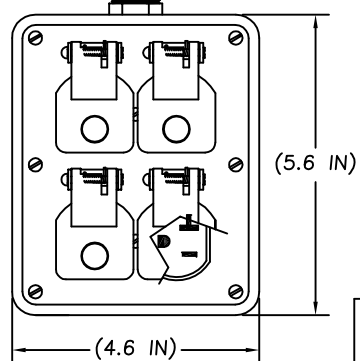
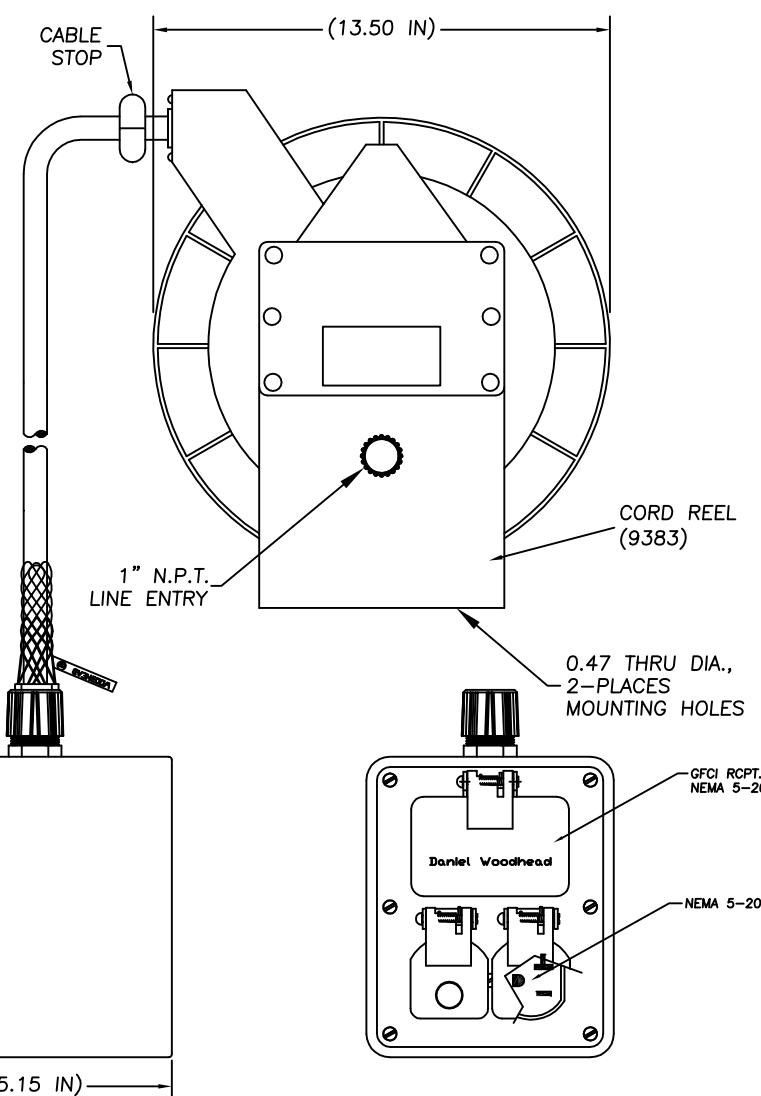
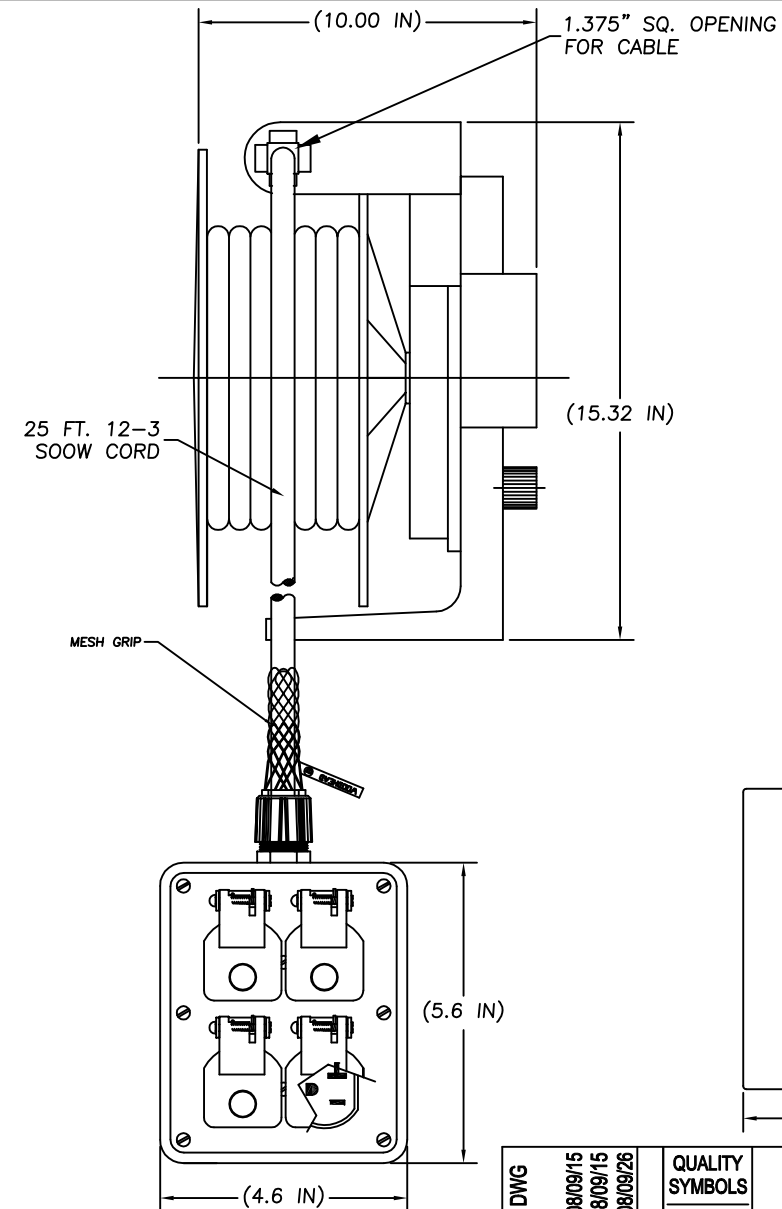
E

D

C

B

A



CUSTOMER APPROVAL DWG EC NO: WNA2009-0192 DRWN: HKNEELAN 2008/09/15 CHKD: HKNEELAN 2008/09/15 APPR: JPAWLICK 2008/09/26	QUALITY SYMBOLS	GENERAL TOLERANCES (UNLESS SPECIFIED)		DIMENSION STYLE INCHES		SCALE NTS	DESIGN UNITS INCH	THIRD ANGLE PROJECTION
	▽=0	4 PLACES	mm	INCH	DRAWN BY	DATE	TITLE	9383 OUTLET BOX GFCI NEMA 5-20R WIRE MESH GRIP
	∇=0	3 PLACES	±---	±---	CHECKED BY	DATE	MOLEX INCORPORATED SD-130083-003	
		2 PLACES	±---	±.010	APPROVED BY	DATE		
		1 PLACE	±---	±.020	MATERIAL NO.	1300830868	DOCUMENT NO.	1 OF 1
A	REV	DRAFT WHERE APPLICABLE MUST REMAIN WITHIN DIMENSIONS		SIZE A	THIS DRAWING CONTAINS INFORMATION THAT IS PROPRIETARY TO MOLEX INCORPORATED AND SHOULD NOT BE USED WITHOUT WRITTEN PERMISSION			

6 5 4 3 2 1

E

D

C

B

A