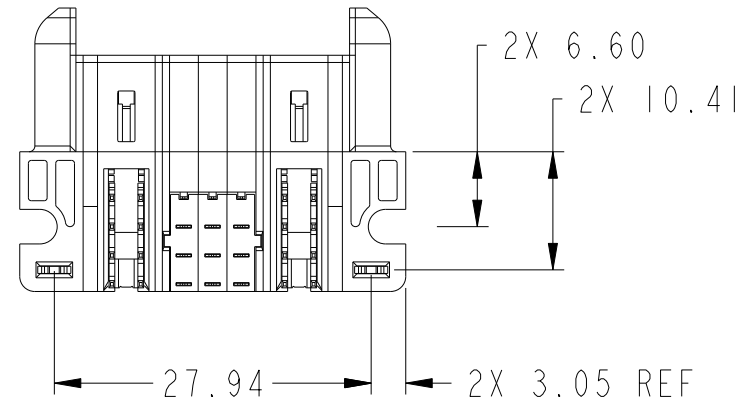
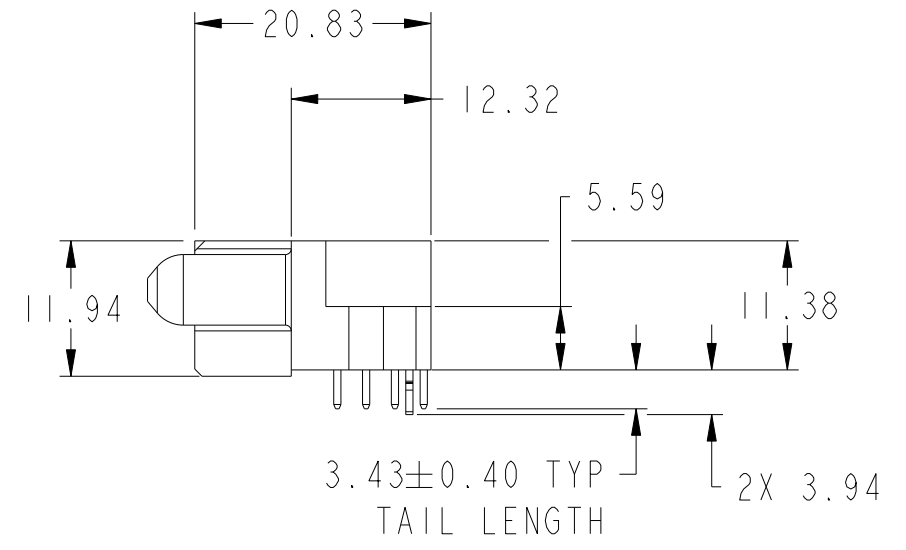
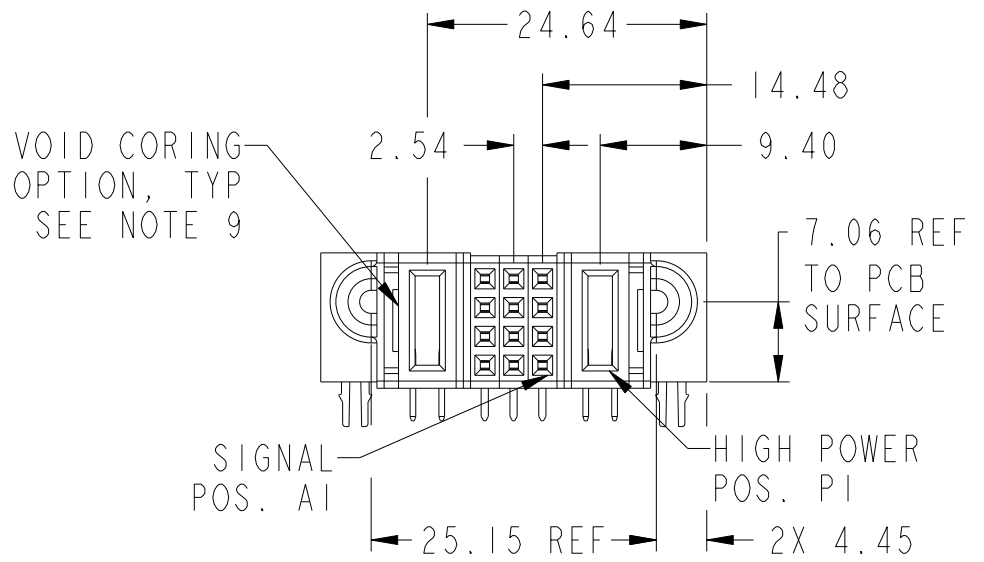
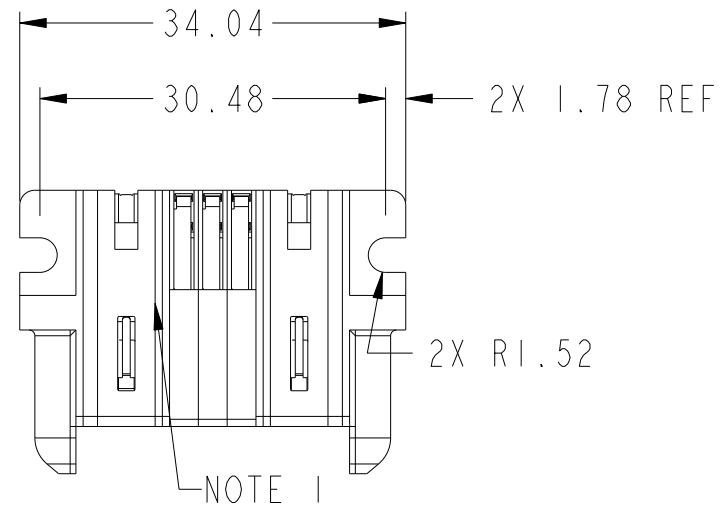


PRODUCT NUMBER SEE SHEET 2



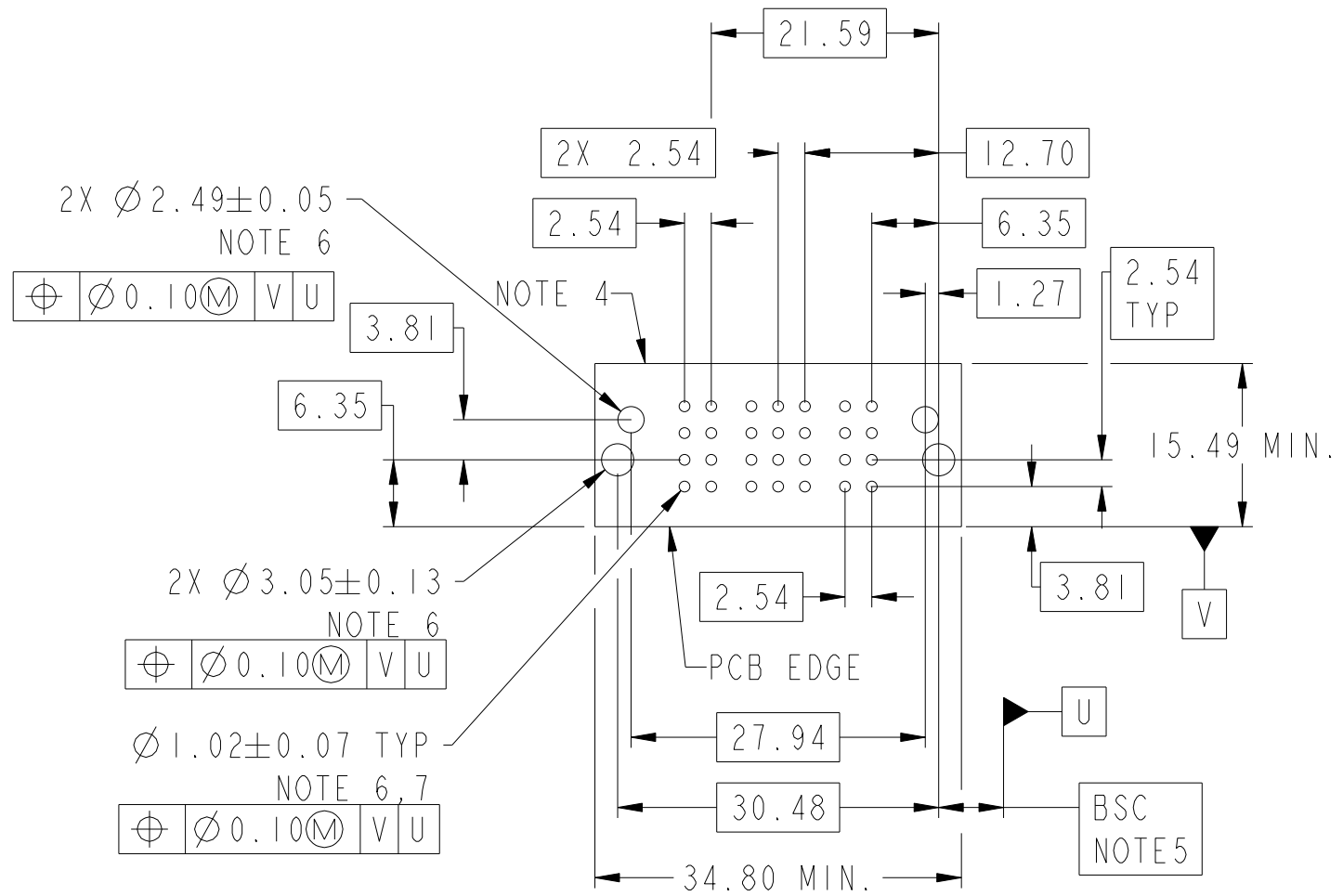
Amphenol
FCi

© 2016 AFCI

spec ref		dr	Sunny2 Liu	2017/03/13	projection	MM	size	A3	scale	3:2
tolerance std		eng	Sunny2 Liu	2017/07/06			ecn no		-	
ISO 406 ISO 1101		chr	Fancy Zhang	2017/07/06			rel level		Released	
TOLERANCES UNLESS OTHERWISE SPECIFIED		appr	Pei-Ming Zheng	2017/07/06	product family		PwrBlade+		-	
surface	linear	Amphenol FCi			title IHP + 12S + IHP RA STB RECEPTACLE		dwg no 10106264-2003001		rev A	
	angular									
ISO 1302		cat. no.			Product - Customer Drw		sheet 1 of 3			

PRODUCT NO.	ROWS		HP	S	HP	
		E1	P2	3	2	1
10106264-2003001LF	DCBA		H3	HHH GGG FFF EEE	H1	

CODE	DESCRIPTION
E	STD SIGNAL CONTACT, ROW A
F	STD SIGNAL CONTACT, ROW B
G	STD SIGNAL CONTACT, ROW C
H	STD SIGNAL CONTACT, ROW D
H1	MFBL HIGH POWER CONTACT(3.43)
H3	STD HIGH POWER CONTACT(3.43)
HA	METAL HOLD DOWN



Amphenol
FCi

© 2016 AFCI

spec ref	dr	Sunny2 Liu	2017/03/13	projection	MM	size	A3	scale	3:2
tolerance std	eng	Sunny2 Liu	2017/07/06		←→	ecn no	-	rel level	Released
ISO 406 ISO 1101	chr	Fancy Zhang	2017/07/06						
surface	linear	0.X	±0.5	product family	PwrBlade+	dwg no	10106264-2003001	rev	A
		0.XX	±0.25						
ISO 1302	angular	0°	±2°	cat. no.	Product - Customer Drw	sheet 2 of 3			

**Amphenol
FCi**

IHP + I2S + IHP
RA STB RECEPTACLE

Product - Customer Drw sheet 2 of 3

NOTES:

- 1) PRODUCT MARK:
PART NUMBER AND DATE CODE TO BE MARKED ON THIS SURFACE .
THE MARK CAN BE OMITTED IF THERE IS NOT ENOUGH SPACE ON THIS SURFACE.
- 2) MATERIALS:
-HOUSING : HIGH TEMP THERMOPLASTIC WITH GLASS FIBER, UL94V-0, BLACK.
-POWER CONTACT : HIGH CONDUCTIVITY COPPER ALLOY.
-SIGNAL CONTACT : COPPER ALLOY.
- 3) PLATING SPECIFICATION : 10116351
- 4) DENOTES CONNECTOR KEEP OUT ZONE.
- 5) DATUM AND BASIC DIMENIONS ARE ESTABLISHED BY CUSTOMER.
- 6) ALL HOLE DIAMETERS ARE FINISHED HOLE SIZES.
- 7) 1.15+/-0.025MM DRILLED HOLE PLATED WITH 0.00762MM MIN SN
OVER 0.0254-0.0762MM CU PLATING TO ACHIEVE A 1.02+/-0.07MM HOLE.
- 8) THE HOUSING WILL WITHSTAND EXPOSURE TO 265 °C PEAK TEMPERATURE
FOR 10 SECONDS IN A WAVE SOLDER APPLICATION.
- 9) THE VOID CORING IN BETWEEN POWER MODULES, SIGNAL MODULES AND
END MODULES ARE OPTIONAL AND THE SHAPE MAY BE DIFFERENT FOR
OPTIMIZE THE MOLDING PROCESS. THE VOID CORING WILL NOT EFFECT
TO PRODUCT FUNCTION.
- 10) THIS PRODUCT MEETS EUROPEAN UNION DIRECTIVES AND OTHER COUNTRY
REGULATIONS AS DESCRIBED IN GS-47-0004.
- 11) PRODUCT SPECIFICATION : GS-12-658.
APPLICATION SPECIFICATION : GS-20-141.
PRODUCT PACKAGE SPECIFICATION: GS-14-1502.

Amphenol
FCi

© 2016 AFCI

spec ref		dr	Sunny2 Liu	2017/03/13	projection 	MM 	size	A3	scale	3:2		
tolerance std		eng	Sunny2 Liu	2017/07/06			ecn no	-				
ISO 406 ISO 1101		TOLERANCES UNLESS OTHERWISE SPECIFIED		chr			Fancy Zhang	2017/07/06	rel level	Released		
surface		appr	Pei-Ming Zheng	2017/07/06	product family		PwrBlade+					
ISO 1302	linear	0.X	±0.5	Amphenol FCi	title	IHP + 12S + IHP		dwg no	10106264-2003001		rev	A
		0.XX	±0.25			RA STB RECEPTACLE						
		0.XXX	±0.10									
angular	0°	±2°	cat. no.	Product - Customer Drw			sheet 3 of 3					