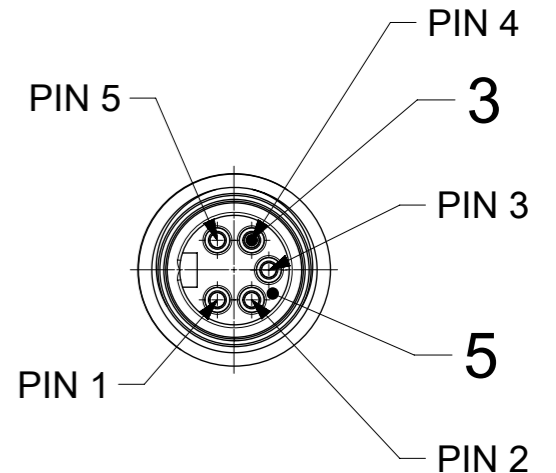
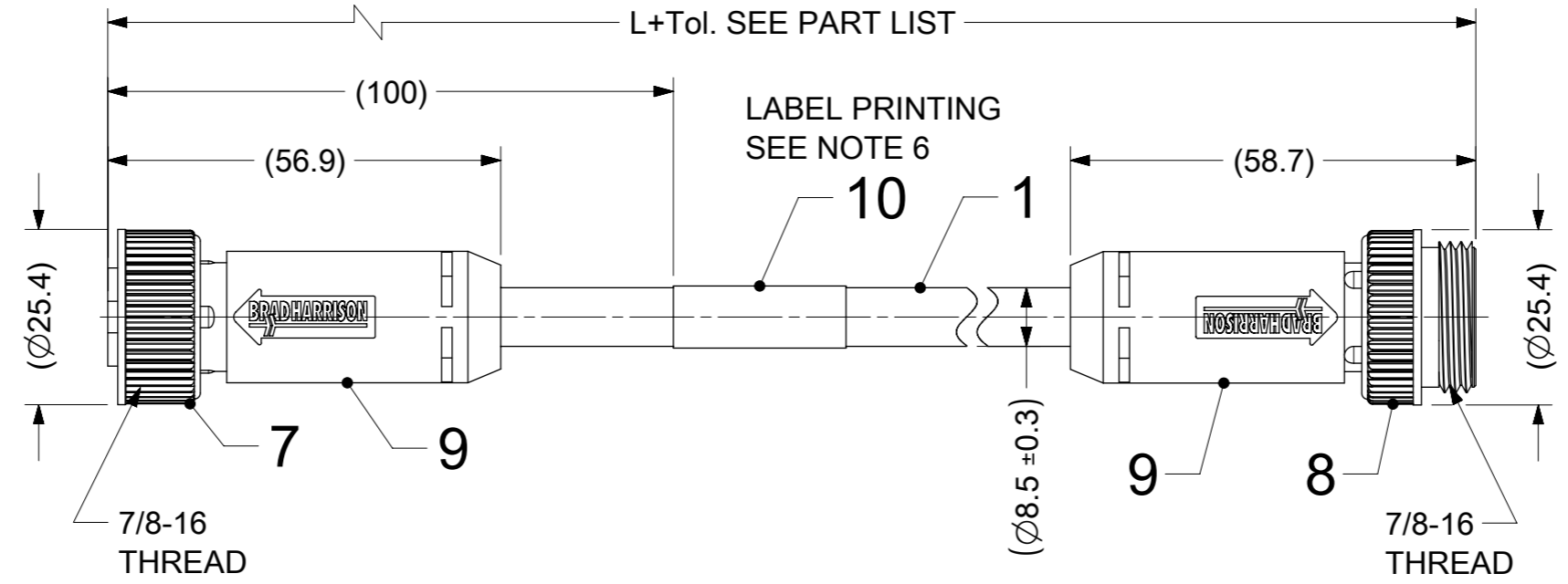


VIEW FROM THE FRONT SIDE



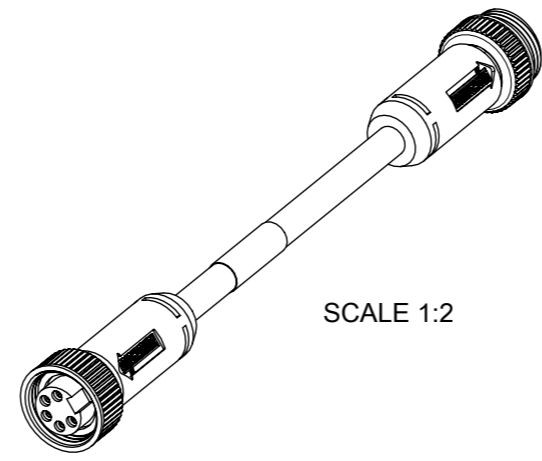
VIEW FROM THE FRONT SIDE

NOTES:

1. MATERIAL: AS NOTED
2. FINISH: AS NOTED
3. PROTECTION: IP67 (WHEN MATED)
4. UL CERTIFICATION: UL LISTED, FILE NO. E152210
5. PART LIST AND PART NUMBER MATRIX - SEE SHEET 2
6. LABEL PRINTING ACC. STANDARD LABEL INSTRUCTION (SEE SHEET 2)

BILL OF MATERIAL

ITEM	QTY.	DESCRIPTION	MATERIAL	FINISH/COLOR
10	1	WRAP LABEL	VINYL	YELLOW
9	-	MOULDING MATERIAL	TPU	BLACK
8	1	MALE COUPLING NUT	ELECTROPHORETIC	BLACK
7	1	FEMALE COUPLING NUT	ELECTROPHORETIC	BLACK
6	1	FRICTION RING	NYLON	NATURAL
5	1	INSERT 5P MALE	ARNITEL	BLACK
4	1	INSERT 5P FEMALE	ARNITEL	BLACK
3	5	CONTACT MALE	BRASS	SELECTIVE GOLD OVER NICKEL
2	5	CONTACT FEMALE	BRASS	SELECTIVE GOLD OVER NICKEL
1	-	CABLE	TPU	GRAY
ITEM	QTY.	DESCRIPTION	MATERIAL	FINISH/COLOR



<p>FUNCTIONAL SYMBOLS</p> <p>$\sqrt{A} = 0$</p> <p>$\sqrt{E} = 0$</p> <p>$\sqrt{F} = 0$</p> <p>DIVISIONAL SYMBOLS</p>	<p>THIS DRAWING CONTAINS INFORMATION THAT IS PROPRIETARY TO MOLEX ELECTRONIC TECHNOLOGIES, LLC AND SHOULD NOT BE USED WITHOUT WRITTEN PERMISSION</p> <p>mm 1:1</p> <p>GENERAL TOLERANCES (UNLESS SPECIFIED)</p> <p>ANGULAR TOL $\pm 1.0^\circ$</p> <p>4 PLACES \pm</p> <p>3 PLACES \pm</p> <p>2 PLACES ± 0.05</p> <p>1 PLACE ± 0.3</p> <p>0 PLACES ± 0.5</p> <p>DRAFT WHERE APPLICABLE MUST REMAIN WITHIN DIMENSIONS</p>	<p>CURRENT REV DESC: NOTES AND CABLE SPEC UPDATED, LABEL PRINTING ADDED</p> <p>EC NO: 747270</p> <p>DRWN: RSCHIEBER 2023/04/21</p> <p>CHK'D: RSILLER 2023/04/27</p> <p>APPR: RSILLER 2023/04/27</p> <p>INITIAL REVISION:</p> <p>DRWN: RSTONE 2013/12/09</p> <p>APPR: JFMURPHY 2013/12/16</p> <p>THIRD ANGLE PROJECTION</p>	<p>molex</p> <p>CSE MC 5P A-SIZE FE STR WSOR MA STR XM DE</p> <p>PRODUCT CUSTOMER DRAWING</p> <p>DOCUMENT NUMBER: SD-130010-030</p> <p>DOC TYPE: PSD DOC PART: 001 REVISION: B4</p> <p>MATERIAL NUMBER: SEE PART LIST CUSTOMER: GENERAL MARKET SHEET NUMBER: 1 OF 2</p>
--	---	---	---

CABLE SPECIFICATION:

JACKET:
 COLOR: GRAY
 MATERIAL: TPU
 CONDUCTOR:
 STRANDING: 81x0.15 BARE COPPER
 INSULATION DIAMETER: 2.40mm
 INSULATION MATERIAL: TPE
 RATING:
 TEMPERATURE RATING: STATIC: -40 °C TO 90 °C
 DYNAMIC: -25 °C TO 80 °C
 VOLTAGE RATING: 600 V
 CURRENT RATING: 10 A

PART NO. MATRIX

1 1 5 0 3 0 B 3 5 M X X X

11 = A-SIZE
DOUBLE ENDED

NUMBER OF POLES:
5 = 5 POLES

CABLE:
B35 = 5x1.5mm² TPU GY

UNITS
M = METERS

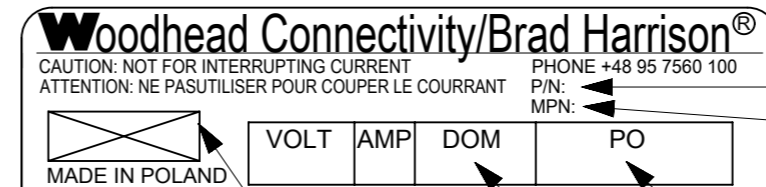
HEADS STYLE
030 = MALE STRAIGHT - FEMALE STRAIGHT

LENGTH EXAMPLES:
020 = 2 m
050 = 5 m
200 = 20 m

PART LIST

Lp	MOLEX PN	ENGINEERING No	L [mm]	Lp	MOLEX PN	ENGINEERING No	L [mm]
1	1300108044	115030B35M010	1000	36	1300108141	115030B35M850	85000
2	1300108045	115030B35M020	2000	37	1300108142	115030B35M900	90000
3	1300108046	115030B35M030	3000	38	1300108143	115030B35M950	95000
4	1300108047	115030B35M050	5000	39			
5	1300108048	115030B35M100	10000	40			
6	1300108049	115030B35M150	15000	41			
7	1300108050	115030B35M200	20000	42			
8	1300108107	115030B35M005	500	43			
9	1300108109	115030B35M015	1500	44			
10	1300108111	115030B35M025	2500	45			
11	1300108113	115030B35M035	3500	46			
12	1300108114	115030B35M040	4000	47			
13	1300108116	115030B35M060	6000	48			
14	1300108117	115030B35M080	8000	49			
15	1300108119	115030B35M120	12000	50			
16	1300108121	115030B35M180	18000	51			
17	1300108122	115030B35M200	20000	52			
18	1300108123	115030B35M230	23000	53			
19	1300108124	115030B35M250	25000	54			
20	1300108125	115030B35M270	27000	55			
21	1300108126	115030B35M300	30000	56			
22	1300108127	115030B35M340	34000	57			
23	1300108128	115030B35M380	38000	58			
24	1300108129	115030B35M400	40000	59			
25	1300108130	115030B35M420	42000	60			
26	1300108131	115030B35M460	46000	61			
27	1300108132	115030B35M500	50000	62			
28	1300108133	115030B35M540	54000	63			
29	1300108134	115030B35M570	57000	64			
30	1300108135	115030B35M600	60000	65			
31	1300108136	115030B35M610	61000	66			
32	1300108137	115030B35M650	65000	67			
33	1300108138	115030B35M700	70000	68			
34	1300108139	115030B35M750	75000	69			
35	1300108140	115030B35M800	80000	70			

LABEL PRINTING



ENGINEERING NO.
MOLEX PN

PO NO.
PRODUCT. DATE

CERTIFICATION SYMBOLS

OVER	UP TO AND INCLUDING	TOLERANCE
0	305	+19
305	915	+45
915	1830	+56
1830	3660	+89
3660	7320	+165
7320	14640	+317
14640	30500	+610
30500	>	+2% OF LENGTH

FUNCTIONAL SYMBOLS	THIS DRAWING CONTAINS INFORMATION THAT IS PROPRIETARY TO MOLEX ELECTRONIC TECHNOLOGIES, LLC AND SHOULD NOT BE USED WITHOUT WRITTEN PERMISSION	CURRENT REV DESC: NOTES AND CABLE SPEC UPDATED, LABEL PRINTING ADDED		molex				
	GENERAL TOLERANCES (UNLESS SPECIFIED)	EC NO: 747270	2023/04/21					CSE MC 5P A-SIZE FE STR WSOR MA STR XM DE
DIVISIONAL SYMBOLS	4 PLACES ±	DRWN: RSCHIEBER	2023/04/27	PRODUCT CUSTOMER DRAWING				
	3 PLACES ±	CHK'D: RSILLER	2023/04/27	DOCUMENT NUMBER				
	2 PLACES ± 0.05	APPR: RSILLER	2023/04/27	SD-130010-030		DOC TYPE	DOC PART	REVISION
	1 PLACE ± 0.3	INITIAL REVISION:		PSD		001	B4	
0 PLACES ± 0.5	DRWN: RSTONE	2013/12/09	SEE PART LIST		GENERAL MARKET		SHEET NUMBER	
DRAFT WHERE APPLICABLE MUST REMAIN WITHIN DIMENSIONS	THIRD ANGLE PROJECTION	DRAWING	SERIES	MATERIAL NUMBER	CUSTOMER	2 OF 2		
		A3-SIZE	130010					