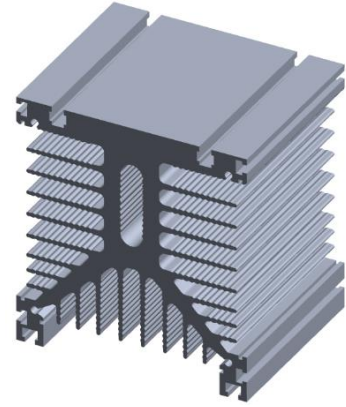


Data Sheet : 99AS HEAT SINK 100 MM

Features

- Large contact area
- Excellent heat spreader
- Custom shapes possible



Material	: 6063 Alum. T5
Type	: Extruded
Width	: 124.70 mm
Height	: 135.60 mm
Length (L)	: 100 mm 200 mm 300 mm 400 mm
Weight	: 16.602 kg / mt
Surface	: Raw / Black anodized

Technical Drawing

