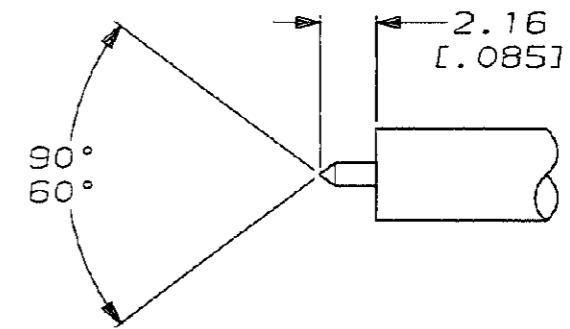
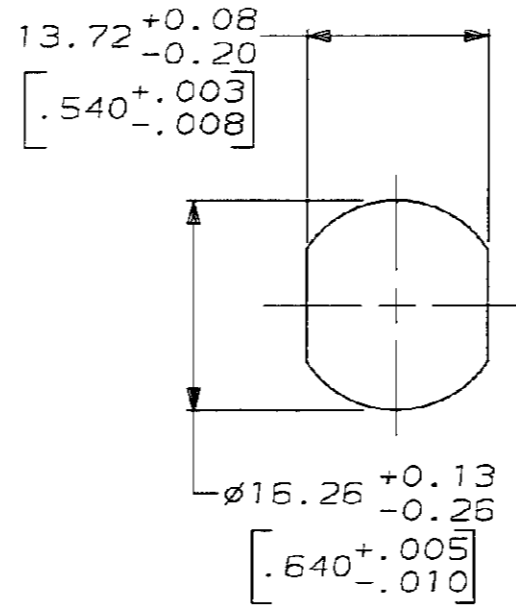
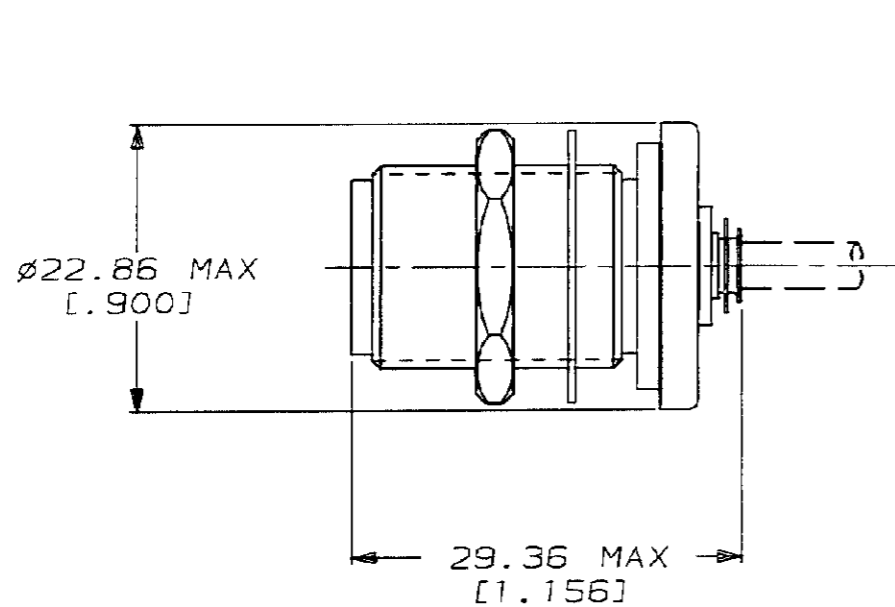


DRAWING MADE IN THIRD ANGLE PROJECTION

THIS DRAWING IS UNPUBLISHED. RELEASED FOR PUBLICATION, 19

© COPYRIGHT 19 BY AMP INCORPORATED. ALL INTERNATIONAL RIGHTS RESERVED.

LOC	DIST	P	F	ZONE	LTR	DESCRIPTION	DATE	APPD
AJ	16				B	REDRWN& OBSOLETE -2 PER AJ-4211	02/07/92	BM



SUGGESTED PANEL CUTOUT  
6.35 [0.250] MAX PANEL THICKNESS

RECOMMENDED STRIP LENGTH  
SCALE 4:1

OBSOLETE	-	-	-	-	-	-	228658-2
	RG-402/U SEMI RIGID	22132-3	50687-2	1-332004-7	228446-1	228659-1	228658-1
	CABLE	⑤ O-RING QTY=1	④ LOCKWASHER QTY=1	③ JAMNUT QTY=1	② ADAPTOR ASSY QTY=1	① JACK ASSY QTY=1	PART NUMBER

DO NOT SCALE PRINT.  
UNLESS SPECIFIED  
DIMENSIONS IN mm [INCHES]  
TOLERANCES ON:  
2 PLC DEC ± 0.13 [0.005]  
3 PLC DEC ± -  
ANGLES \* -

MATERIAL -  
FINISH -

DR 02/07/92  
B. HOYER  
CHK 2-21-92  
M. SNEED  
APPD 2-21-92  
R. HENRY  
APPD 2-21-92  
M. SNEED  
PRODUCT SPEC -  
APPLICATION SPEC -  
WEIGHT -

**AMP** AMP Incorporated  
Harrisburg, PA 17105-3608  
NAME  
JACK, REAR MOUNTED,  
SERIES N  
SIZE B CAGE CODE 00779 DRAWING NO 228658  
SCALE 2:1 SHEET 1 OF 1