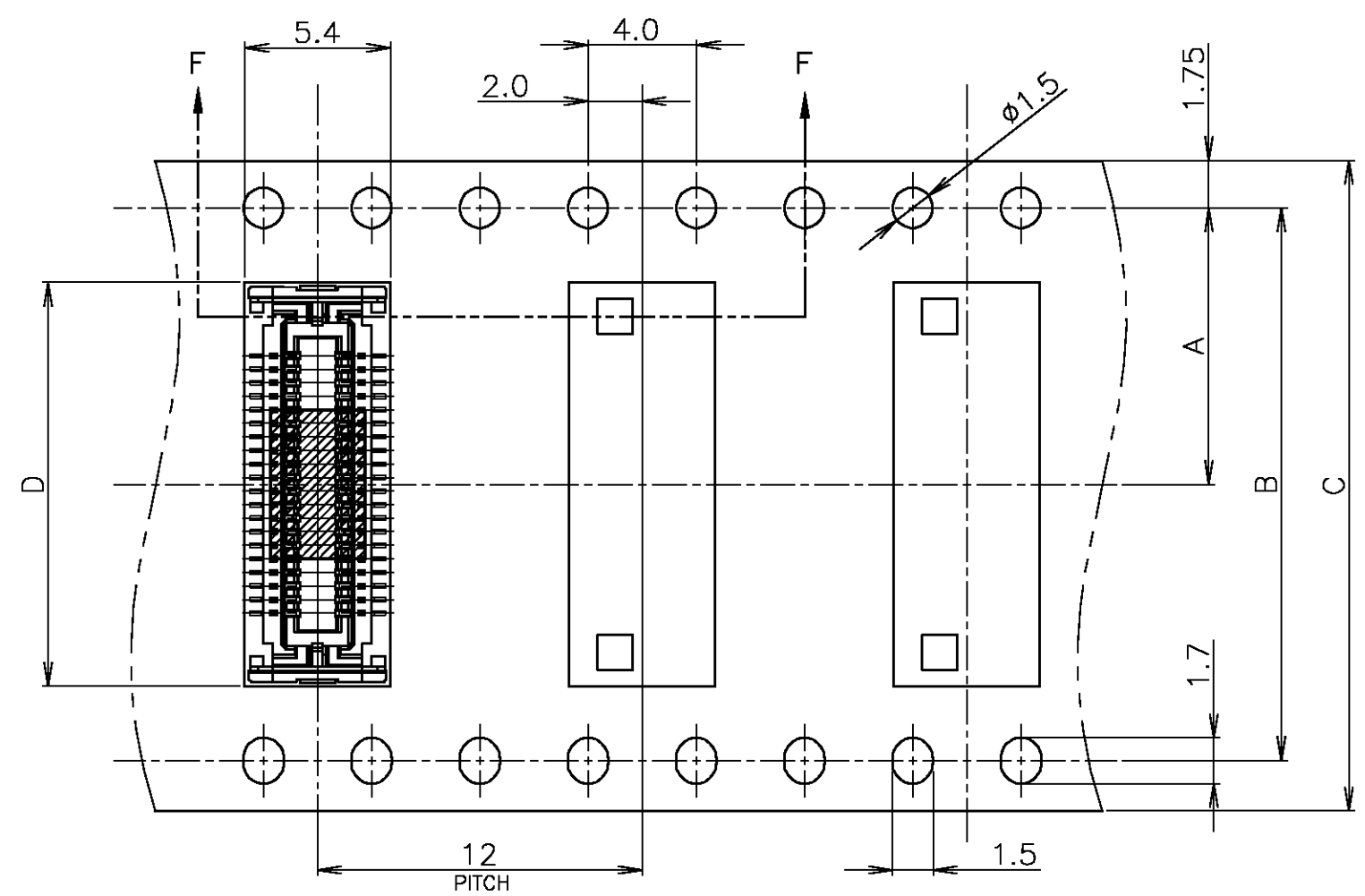


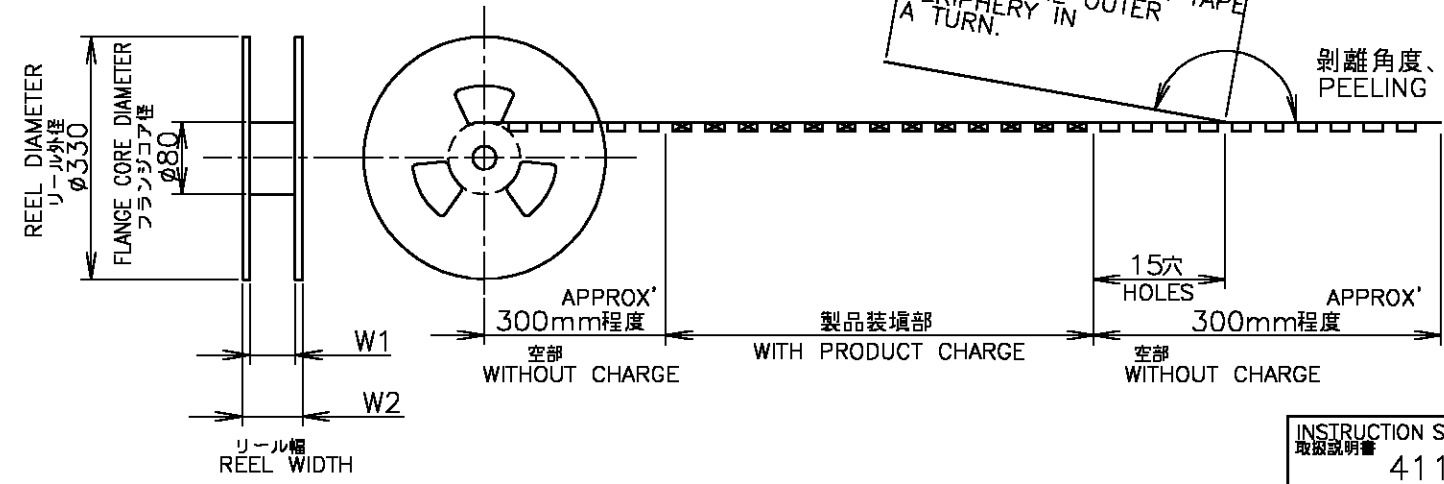
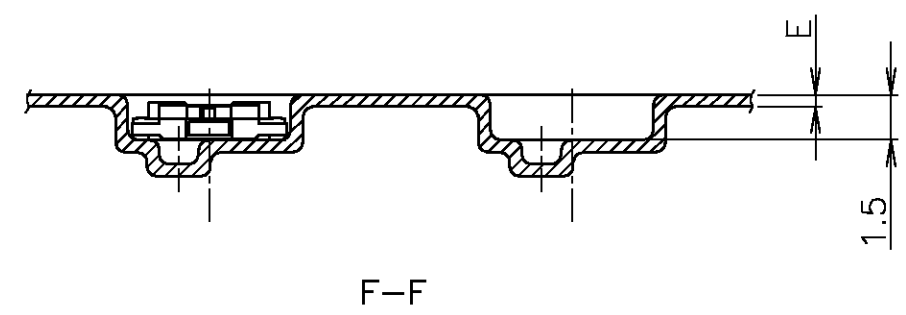
THIS DRAWING IS UNPUBLISHED. RELEASED FOR PUBLICATION JUN, 1996.
 © COPYRIGHT 1996 BY TYCO ELECTRONICS CORPORATION. ALL RIGHTS RESERVED.

LOC	DIST	REVISIONS			DATE	DWN	APVD
		P	LTR	DESCRIPTION			
J		D	REVISED	FJB0-0324-03	30MAY03	H.H.T.K	



テープ幅
TAPE WIDTH

引出し方向
TOP OF REEL →



カバーテープ
リーダー部
外周一卷
WEEDING THE COVER TAPE
AROUND THE OUTER
PERIPHERY IN
A TURN.
剥離角度、165°~180°
PEELING ANGLE.

鉛フリー
LEAD FREE

48.7	45.5	0.4	24.9	44	40.4	20.2	1500	80	8-353158-0	8-353159-0
48.7	45.5	0.4	22.4	44	40.4	20.2	1500	70	7-353158-5	7-353159-5
48.7	45.5	0.4	22.4	44	40.4	20.2	1500	70	7-353158-0	7-353159-0
W2	W1	E	D	C	B	A	数量 (ヶ) QTY/REEL	極数 POS	コネクタ型番 (バラ状) CONNECTOR P/N (L/P)	リール巻 コネクタ型番 TAPING P/N

INSTRUCTION SHEET
取説説明書 411-5781

THIS DRAWING IS A CONTROLLED DOCUMENT.

DIMENSIONS: 単位: 珎 MM

TOLERANCES UNLESS OTHERWISE SPECIFIED: 一般公差

0 PLC	± 0.2
1 PLC	± 0.2
2 PLC	± 0.2
3 PLC	± 0.2
4 PLC	± 0.2
ANGLES	± 3'

MATERIAL 材料

FINISH 仕上

WEIGHT

CUSTOMER DRAWING

DWN S.KAJINUMA 05JUN96
CHK K.ASAKAWA 20AUG96
APVD S.KUBOUCHI 20APR98

tyco
Electronics

Tyco Electronics AMP K.K.
Kawasaki, Japan

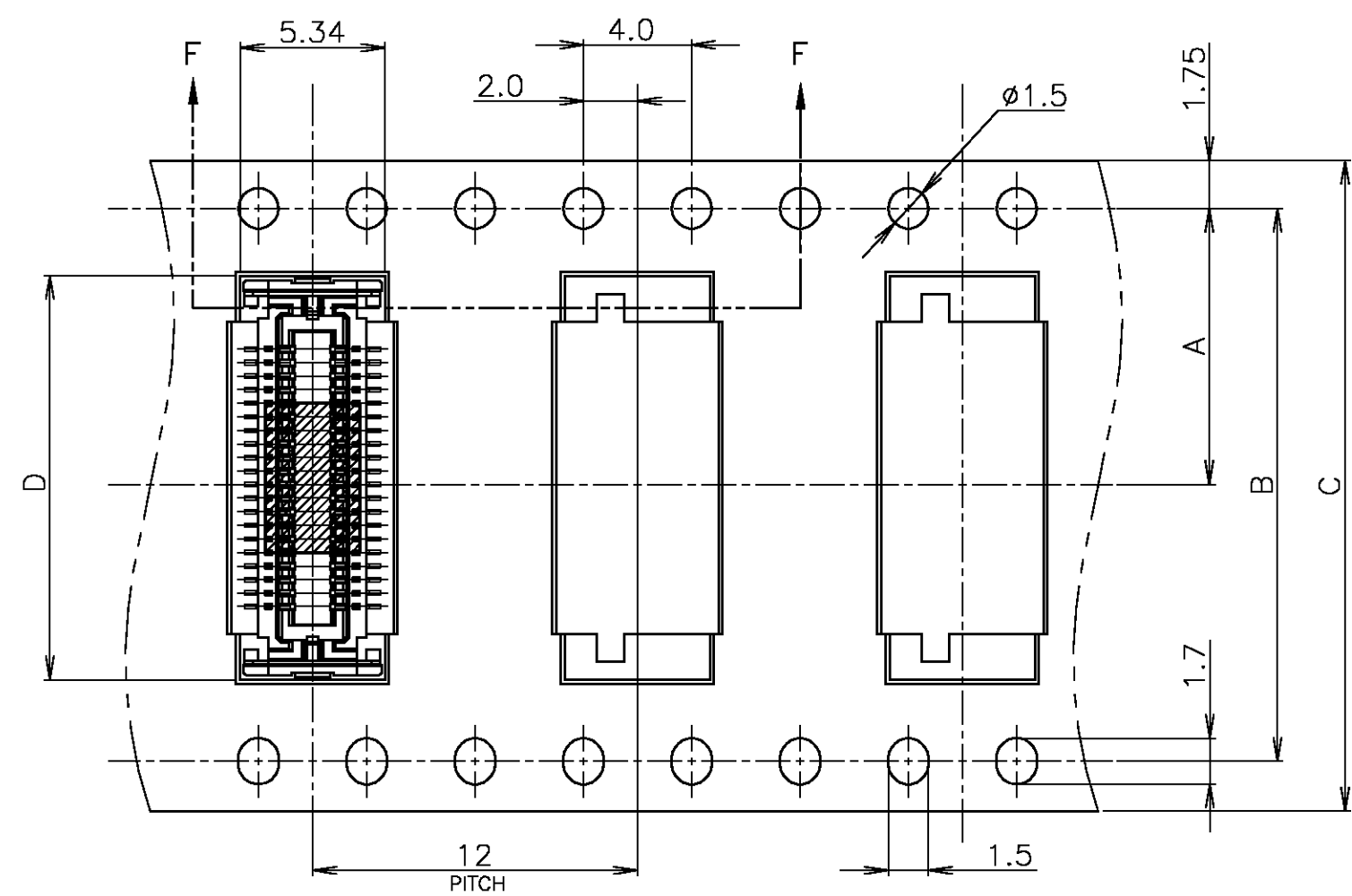
NAME 名称
ON TAPING (EMBOSS)
0.5mm PITCH FS CONN.
RECEPTACLE ASSEMBLY WITH FILM

SIZE A3 CAGE CODE 00779 DRAWING NO. C-353159 RESTRICTED TO 番号

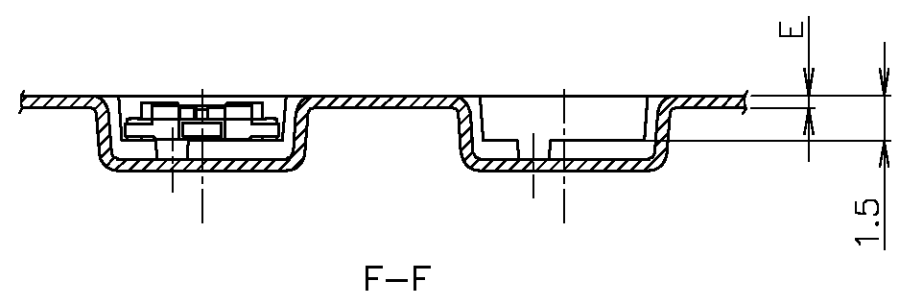
SCALE 尺度 4:1 SHEET 1 OF 2 REV D

THIS DRAWING IS UNPUBLISHED. RELEASED FOR PUBLICATION JUN, 1996.
 © COPYRIGHT 1996 BY TYCO ELECTRONICS CORPORATION. ALL RIGHTS RESERVED.

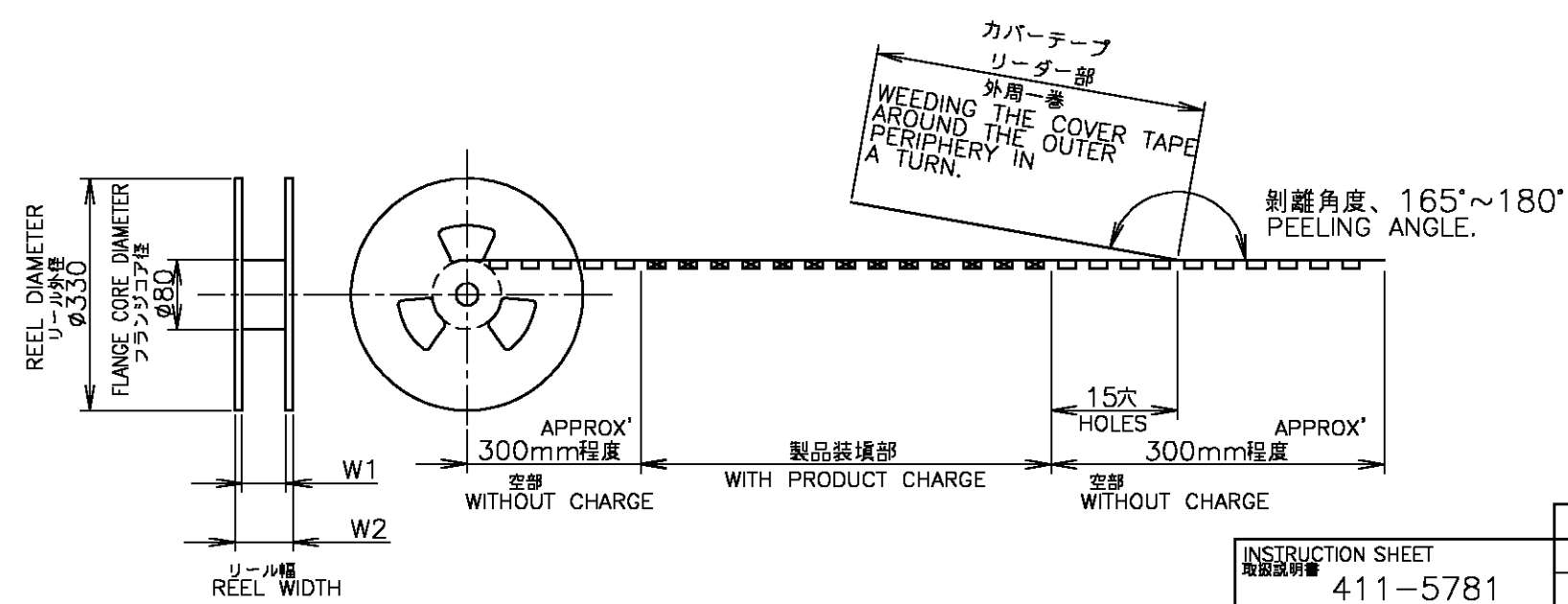
LOC	DIST	REVISIONS			
J		P	LTR	DESCRIPTION	DATE
				SEE SHEET 1 OF 2	



テープ幅
TAPE WIDTH



引出し方向
TOP OF REEL →



鉛フリー
LEAD FREE

37.5	33.5	0.4	19.85	32	28.4	14.2	1500	60	6-353158-0	6-353159-0
W2	W1	E	D	C	B	A	数量 (ヶ) QTY/REEL	極数 POS	コネクタ型番 (バラ状) CONNECTOR P/N (L/P)	リール巻 コネクタ型番 TAPING P/N

INSTRUCTION SHEET 411-5781

THIS DRAWING IS A CONTROLLED DOCUMENT.

DWN S.KAJINUMA 20APR98	Tyco Electronics AMP K.K. Kawasaki, Japan
CHK K.ASAKAWA 20APR98	
APVD S.KUBOUCHI 20APR98	

NAME 名称: ON TAPING (EMBOSS) 0.5mm PITCH FS CONN. RECEPTACLE ASSEMBLY WITH FILM

SIZE A3	CAGE CODE 00779	DRAWING NO. C-353159	RESTRICTED TO
---------	-----------------	----------------------	---------------

CUSTOMER DRAWING

SCALE 4:1 SHEET 2 OF 2 REV D