

CABLE LENGTH TOLERANCES

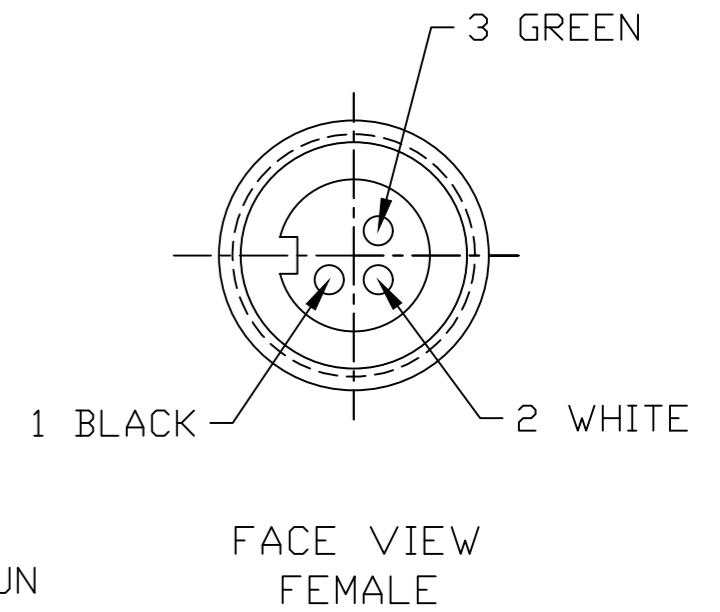
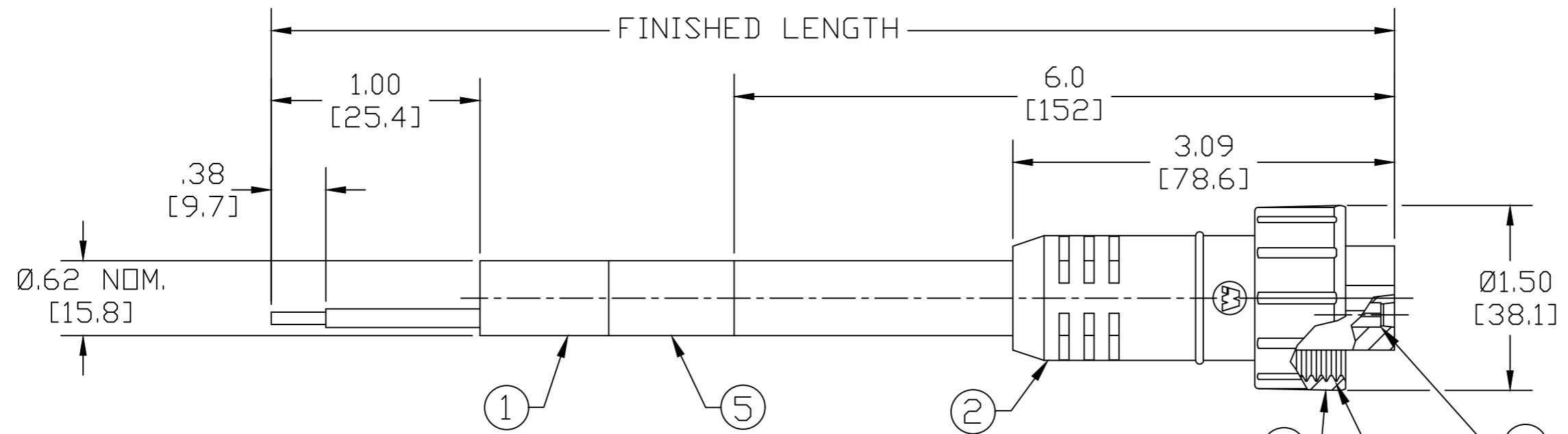
>.3M [1FT]:	+19mm-0 [+.75in-0]
.3 - .9M [1 - 3FT]:	+44.5mm-0 [+1.75in-0]
.9 - 1.8M [3 - 6FT]:	+55.6mm-0 [+2.19in-0]
1.8 - 3.7M [6 - 12FT]:	+88.9mm-0 [+3.50in-0]
3.7 - 7.3M [12 - 24FT]:	+165.1mm-0 [+6.50in-0]
7.3-14.6M [24 - 48FT]:	+317.5mm-0 [+12.50in-0]
14.6 - 30.5M [48-100FT]:	+622.3mm-0 [+24.50in-0]
OVER 30M [100FT]	+2% OF FINISHED LENGTH

PART NUMBER LEGEND

603000C06F120

FINISHED LENGTH:
 F010= 1 FOOT
 F100= 10 FEET
 M005= 0.5 METER
 M010= 1 METER
 M100= 10 METER

MATERIAL NO.	ENGINEERING NO.	FINISHED LENGTH
1300000045	32342	3.0 FT [0.9M]
1300000046	32350	6.0 FT. [1.8M]
1300000151	603000C06F120	12.0 FT. [3.7M]
1300000153	603000C06F150	15.0 FT. [4.6M]
1300000157	603000C06F300	30.0 FT. [9.1M]



- NOTES:**
1. MATERIAL: AS NOTED
 2. FINISH: AS NOTED
 3. ELECTRICAL:
VOLTAGE: 600V AC/DC
CURRENT: 25A
 4. TEMP RATING: -25°C TO +90°C
 5. PROTECTION: IP67 (WHEN MATED)
 6. COUPLING THREAD: AS NOTED
 7. ALL DIMS ARE FOR REFERENCE UNLESS TOLERENCED OR NOTED OTHERWISE

ITEM	COMPONENT	MATERIAL	FINISH
5	WRAP LABEL	VINYL	BLACK/YELLOW
4	COUPLING NUT	THERMOPLASTIC	BLACK
3	CONTACT SOCKET	COPPER ALLOY	UN-PLATED
2	OVERMOLD	RUBBER	YELLOW
1	CABLE-12 AWG SOOW	CPE JACKET	YELLOW

SYMBOLS		THIS DRAWING CONTAINS INFORMATION THAT IS PROPRIETARY TO MOLEX ELECTRONIC TECHNOLOGIES, LLC AND SHOULD NOT BE USED WITHOUT WRITTEN PERMISSION	
▽ = 0	DIMENSION UNITS	SCALE	CURRENT REV DESC: RELEASED
▽ = 0	INCH/MM	1:1	
▽ = 0	GENERAL TOLERANCES (UNLESS SPECIFIED)		
▽ = 0		mm	INCH
▽ = 0	4 PLACES	±---	±---
▽ = 0	3 PLACES	±---	±---
▽ = 0	2 PLACES	±---	±0.01
▽ = 0	1 PLACE	±0.3	±---
▽ = 0	0 PLACES	±---	±---
▽ = 0	ANGULAR TOL ± 2.0°		
▽ = 0	DRAFT WHERE APPLICABLE MUST REMAIN WITHIN DIMENSIONS		
▽ = 0	THIRD ANGLE PROJECTION	DRAWING	SERIES
▽ = 0		B-SIZE	130000
		MATERIAL NUMBER	CUSTOMER
		13000000045	GENERAL MARKET
		DOC TYPE	DOC PART
		PSD	000
		REVISION	A
		SHEET NUMBER	1 OF 1