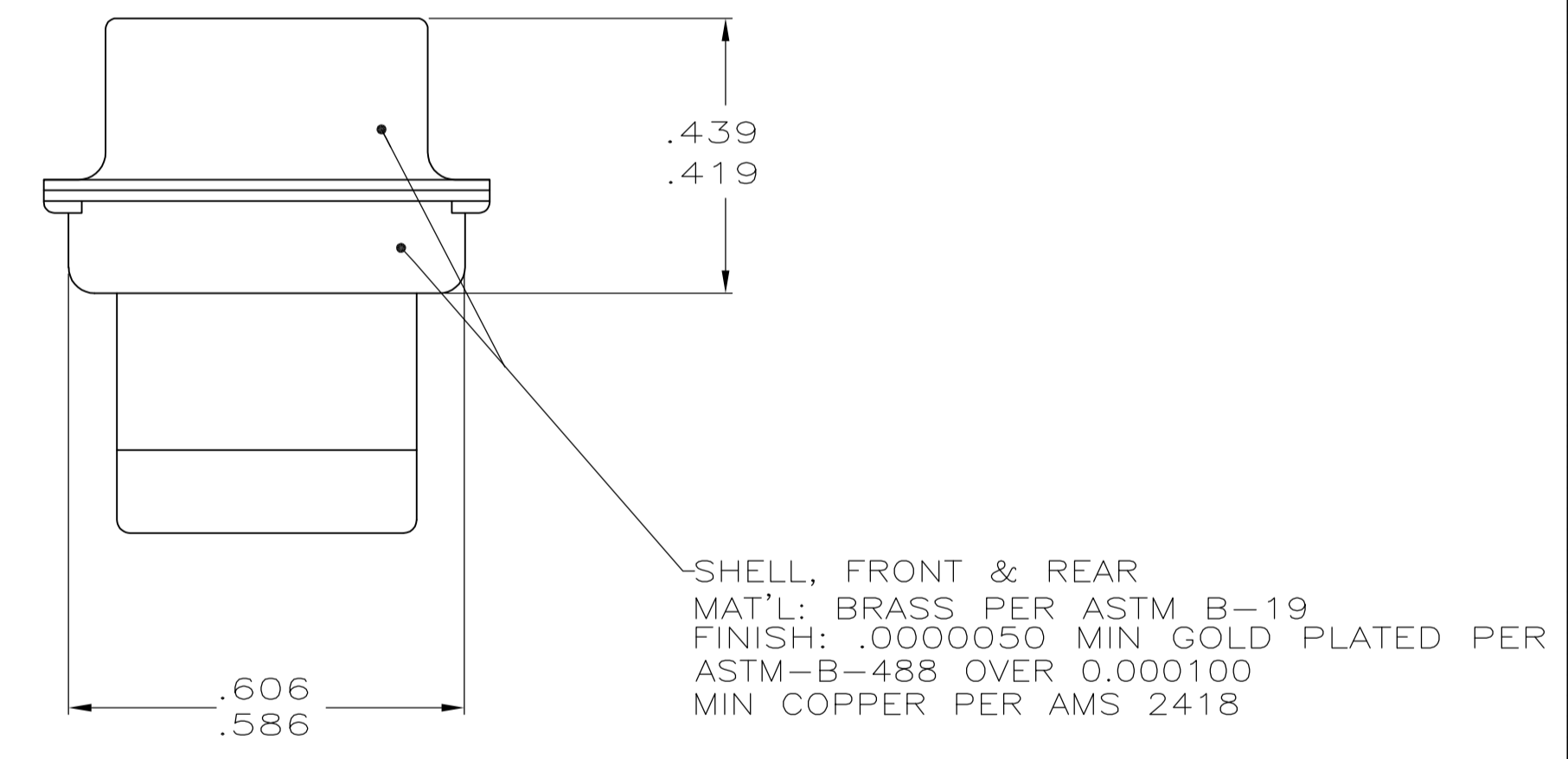
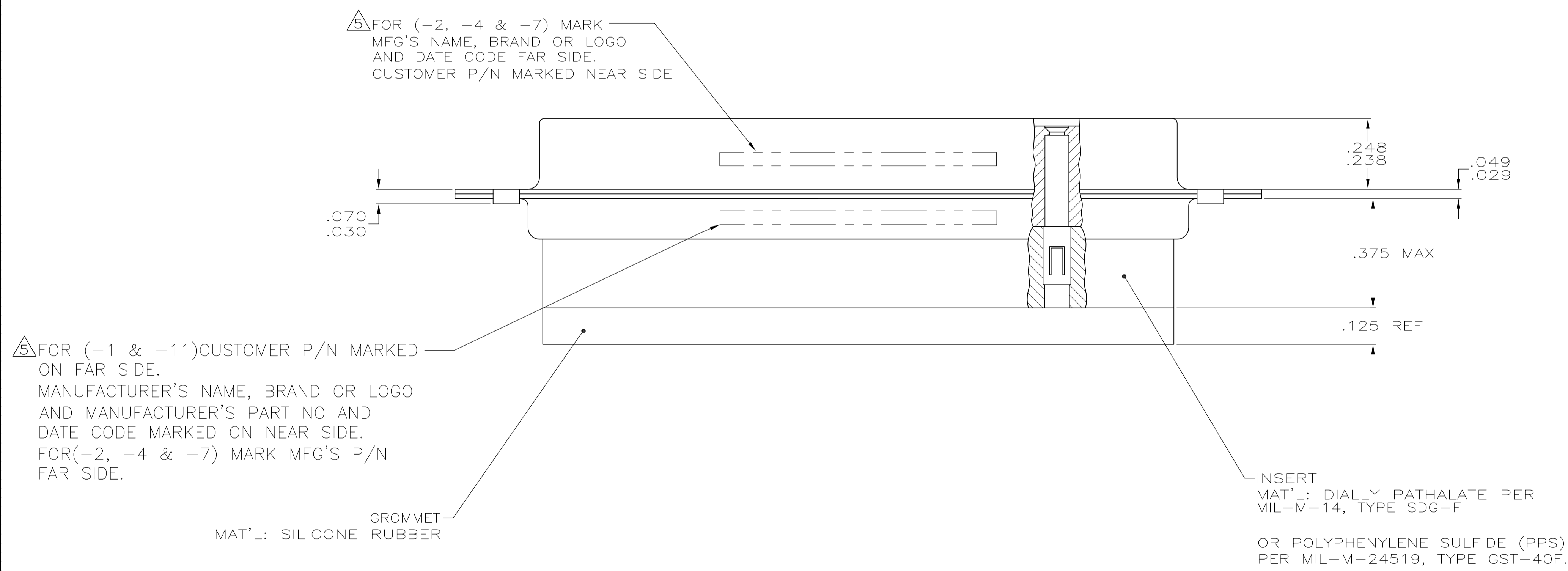


1. THIS RCPT. WILL MATE WITH ANY SIZE 6, 104 POSN. PLUG IN AMPLIMITE SERIES.
2. CONNECTOR SUPPLIED WITHOUT CONTACTS; SHOWN FOR ILLUSTRATION ONLY.
3. BE-CU RETENTION CLIPS ARE INCLUDED IN INSERT AND INSTALLED WITH TINES POINTING TOWARDS MATING FACE.
4. OVERALL DIMENSIONS DO NOT INCLUDE RAISED CAVITY IDENTIFICATION.
5. MARKING FAR SIDE REFERS TO WIDE SIDE OF KEYSTONE. NEAR SIDE REFERS TO NARROW SIDE OF KEYSTONE.
6. 100% INSPECTION REQUIRED PER BOEING 1B01:
 - A. VISUAL
 - B. DWV
 - C. IR
7. CUSTOMER REQUIRES SINGLE LOT DATE CODE.
8. SPECIAL REQUIREMENTS:
 - A. TEST TWO CONNECTORS PER LOT FOR COMPLIANCE TO GROMMET PEEL STRENGTH REQUIREMENTS.
 - B. TEST ALL CIRCUIT CAVITIES FOR MISALIGNMENT OR EXCESSIVE ADHESIVE.



FOR (-1 & -11) CUSTOMER P/N MARKED ON FAR SIDE. MANUFACTURER'S NAME, BRAND OR LOGO AND MANUFACTURER'S PART NO AND DATE CODE MARKED ON NEAR SIDE. FOR (-2, -4 & -7) MARK MFG'S P/N FAR SIDE.

FOR (-2, -4 & -7) MARK MFG'S NAME, BRAND OR LOGO AND DATE CODE FAR SIDE. CUSTOMER P/N MARKED NEAR SIDE

INSERT MAT'L: DIALYL PHTHALATE PER MIL-M-14, TYPE SDG-F OR POLYPHENYLENE SULFIDE (PPS) PER MIL-M-24519, TYPE GST-40F.

1B01-030RHW	1-211672-1
-	211672-7
-	211672-4
2A065-024V-001	211672-2
1B01-030	211672-1
REMARKS	CUSTOMER PART NO. PART NO.

THIS DRAWING IS A CONTROLLED DOCUMENT.		DIN	J. KAISER	3-11-04
DIMENSIONS: INCHES		CHK	L. OH	3-25-04
TOLERANCES UNLESS OTHERWISE SPECIFIED:		APVD	L. OH	3-25-04
0 PLC	± -	NAME		
1 PLC	± -	RCPT. ASSY, AMPLIMITE, 104		
2 PLC	± -	POSN., SIZE 6, SERIES 90,		
3 PLC	± .005	NON-MAGNETIC, SPECIAL WITH GROMMET		
4 PLC	± -	SIZE	CAGE CODE	DRAWING NO
ANGLES	± ± 1°	—	—	—
MATERIAL	SEE CALLOUTS	WEIGHT	—	RESTRICTED TO
FINISH		A1 00779 C=211672		—
CUSTOMER DRAWING		SCALE	4:1	SHEET 1 OF 1 REV N