

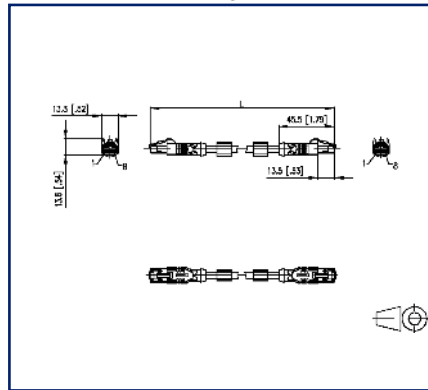
## Data sheet

### Industry patch cord RJ45 Cat.6A PUR 2.0 m

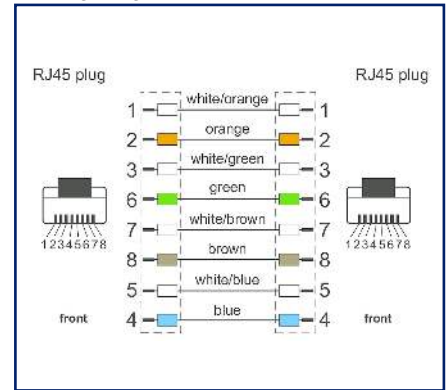
## Illustrations



Dimensional drawing



Wiring diagram



See enlarged drawings at the end of document

## Product specification

Shielded PUR cable for safe and industrial data transmission in automation and fieldbus technology. The cable fulfils the requirements according to ULStyle 20963 and complies with the specifications according to Cat7 (electrical properties based on EN50288-4-2). The materials and the constructive design allow increased mechanical load (abrasion, bending, vibration, etc.) of the cable. Special properties: UL style 20963, seawater resistant, recyclable, LABS-free, RoHs compliant, acid and alkali resistant, UV-resistant, hydrolysis-resistant, halogen-free, oil-resistant, high flexibility, no corrosive gases, microbe-resistant, no fire propagation

- fully shielded RJ45 patchcord Cat.6A AWG 26/7
- suitable for 10 GBit Ethernet (IEEE 802.3an)
- cable boot moulded with integrated latching lever protection
- cable jacket PUR
- standard variants: 1.0 m, 2.0 m, 5.0 m, 10.0 m
- other cable lengths on request

### Technical Data

#### General Data

|                                     |   |
|-------------------------------------|---|
| Fields of application               | Industrial Ethernet<br>harsh environment  |
| Design                              | Ethernet-Connection line  |
| Shielding                           | shielded  |
| Transmission technology             | Copper  |
| Cable Type                          | S/FTP   |
| Number of twisting elements         | 4   |
| Twisting element                    | Pair  |
| Wiring                              | T568B   |
| Color coding fiber/ wire(s)         | white/orange, orange, white/green, green, white/brown, brown,<br>white/blue, blue |
| Color                               | green   |
| Dimensions                          |   |
| Dimension - Interface 1 (L x W x H) | 45.5 mm x 13.3 mm x 13.6 mm   |
| Dimension - Interface 1 (L x W x H) | 1.791 in. x 0.524 in. x 0.535 in.   |
| Dimension - Interface 2 (L x W x H) | 45.5 mm x 13.3 mm x 13.6 mm   |
| Dimension - Interface 2 (L x W x H) | 1.791 in. x 0.524 in. x 0.535 in.   |
| Cable length (m)                    | 2 m   |
| Weight                              | 48 kg/km  |
| Labeling option                     | identification label carrier  |

#### Transmission characteristics

|                |                |
|----------------|----------------|
| Category (ISO) | 6 <sub>A</sub> |
|----------------|----------------|

#### Connections/interfaces

|   |           |
|---|-----------|
| Connector technology interface 1                | RJ45 plug |
| Connector technology interface 2                | RJ45 plug |
| Number of positions/contacts interface 1        | 8         |
| Number of positions/contacts interface 2        | 8         |
| Termination data, stranded wire (min. - max.)   |           |
| Conductor cross section, stranded wire          | AWG 26/7  |
| Conductor diameter, stranded wire (bare copper) | 0.48 mm   |
| Conductor diameter, stranded wire (bare copper) | 0.019 in. |

### Technical Data

#### Connections/interfaces

Cable sheath diameter (min. - max.)

|                       |           |
|-----------------------|-----------|
| Cable sheath diameter | 6.4 mm    |
| Cable sheath diameter | 0.236 in. |

#### Electrical characteristics

|                           |               |
|---------------------------|---------------|
| Current carrying capacity | 1 A at 40 °C  |
| Rated voltage             | 50 V          |
| Insulation resistance     | min. 100 MOhm |

#### Mechanical data

|                                  |            |
|----------------------------------|------------|
| Life - Number of mating cycles   | min. 750   |
| Bending radius without load      | min. 64 mm |
| Maximum operating bending radius | 64 mm      |
| Maximum operating bending radius | 2.52 in.   |
| Maximum installation load        | 32 mm      |
| Maximum installation load        | 1.26 in.   |
| Shielding braid coverage         | 70 %       |

#### Materials and material properties

|   |                       |
|---|-----------------------|
| Material - Conductor                    | Cu (copper)           |
| Material - Conductor Insulation         | Foam-Skin Polyethylen |
| Material - Cable jacket                 | PUR                   |
| Material - Body interface 1             | Plastics              |
| Material - Body interface 2             | Plastics              |
| Material - Contact interface 1          | CuZn                  |
| Material - Contact interface 2          | CuZn                  |
| Material - Contact finish interface 1   | Au (gold)             |
| Material - Contact finish interface 2   | Au (gold)             |
| Material - Contact carriers interface 1 | Plastics              |
| Material - Contact carriers interface 2 | Plastics              |
| Material - Pair shield                  | plastic film          |
| Material - Pair shield finish           | Al (Aluminium)        |
| Material - Main shield                  | Cu (copper) braid     |
| Material - Main shield finish           | Sn (tin)              |

### Technical Data

#### Materials and material properties

|                  |                            |
|------------------|----------------------------|
| Flame retardancy | according to IEC 60332-1-2 |
| Halogen free     | yes                        |
| Oil resistance   | yes                        |
| RoHS             | compliant                  |

#### Environmental conditions

|                                      |                      |
|--------------------------------------|----------------------|
| Temperature (min. - max.)            |                      |
| Temperature - Operating °C           | -40 °C - 70 °C       |
| Temperature - Operating °F           | -40 °F - 158 °F      |
| Particulate ingress interface 1      | IP2X when plugged in |
| Liquid ingress/immersion interface 1 | IPX0 when plugged in |
| Particulate ingress interface 2      | IP2X when plugged in |
| Liquid ingress/immersion interface 2 | IPX0 when plugged in |
| Pollution degree interface 1         | 1                    |
| Pollution degree interface 2         | 1                    |

#### Approvals

|                      |                  |
|----------------------|------------------|
| UL listed (file no.) | Approval pending |
|----------------------|------------------|

#### Standards/Regulations

|  |   |
|--|---|
| Generic cabling systems  |   |
| General requirements   | ISO/IEC 11801-1   DIN EN 50173-1                      |
| Profinet   | yes   |
| Connectors for electronic equipment  |   |
| Free and fixed connectors  | IEC 60603-7-51  |
| Multi-element metallic cables used in analogue and digital communication and control           | DIN EN 50288-4-2                                      |
| Test for vertical flame propagation for a single insulated wire or cable                       | IEC 60332-1-2   |
| Measurement of smoke density of cables burning   | IEC 61034   |
| Determination of the halogen acid gas content  | IEC 60754-1   |
| Insulating and sheathing materials of cables and insulated wire - General test methods         | DIN EN 60811-2-1                                      |
| Copper and copper alloys - Drawn round copper wire for the production of electrical conductors | DIN EN 13602 Cu-ETP-A...   DIN EN 13602 Cu-ETP-A...-B |

# P | Cabling

Data sheet

Page 5/7

## Industry patch cord RJ45 Cat.6A PUR 2.0 m

P/N

142M2X55020

EAN 4251394613246

2023/05/16

Version: G

### Technical Data

#### Classifications

|          |          |
|----------|----------|
| ETIM 7.0 | EC002599 |
| ETIM 8.0 | EC002599 |
| ETIM 9.0 | EC002599 |

#### Packing details

|                   |                       |
|-------------------|-----------------------|
| Type of packaging | 1 pc(s) / plastic bag |
|-------------------|-----------------------|

# P | Cabling

Data sheet

## Industry patch cord RJ45 Cat.6A PUR 2.0 m

Page 6/7

P/N

142M2X55020

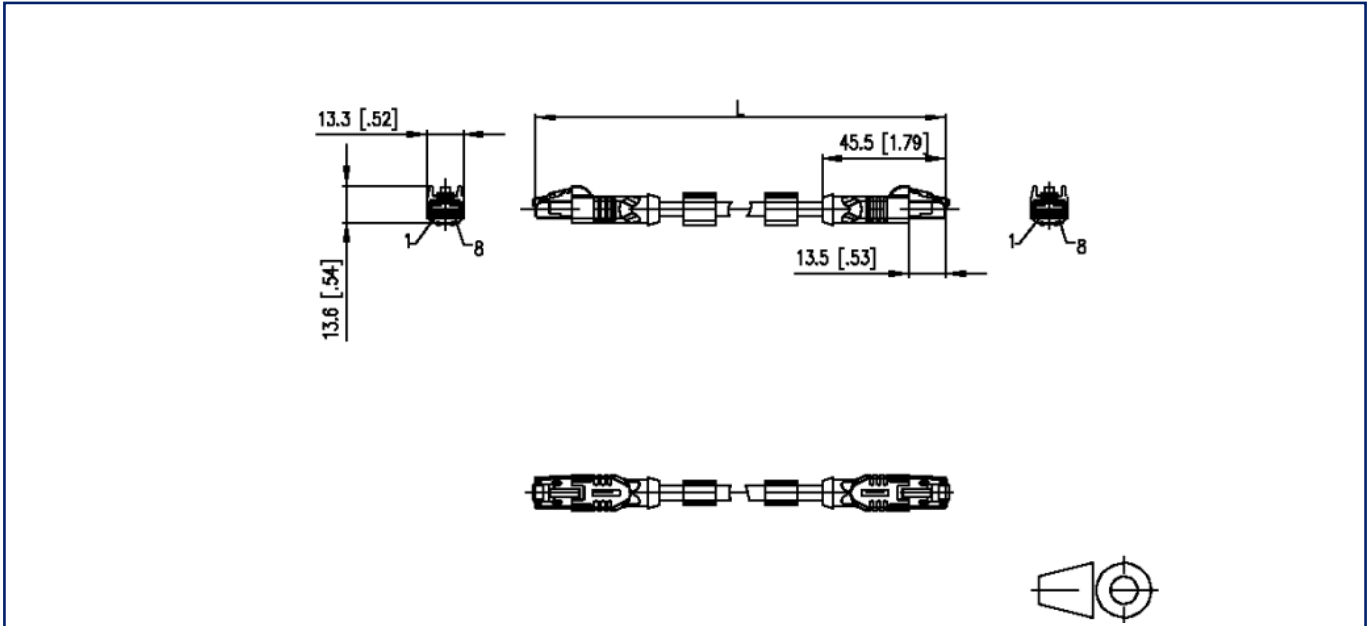
EAN 4251394613246

2023/05/16

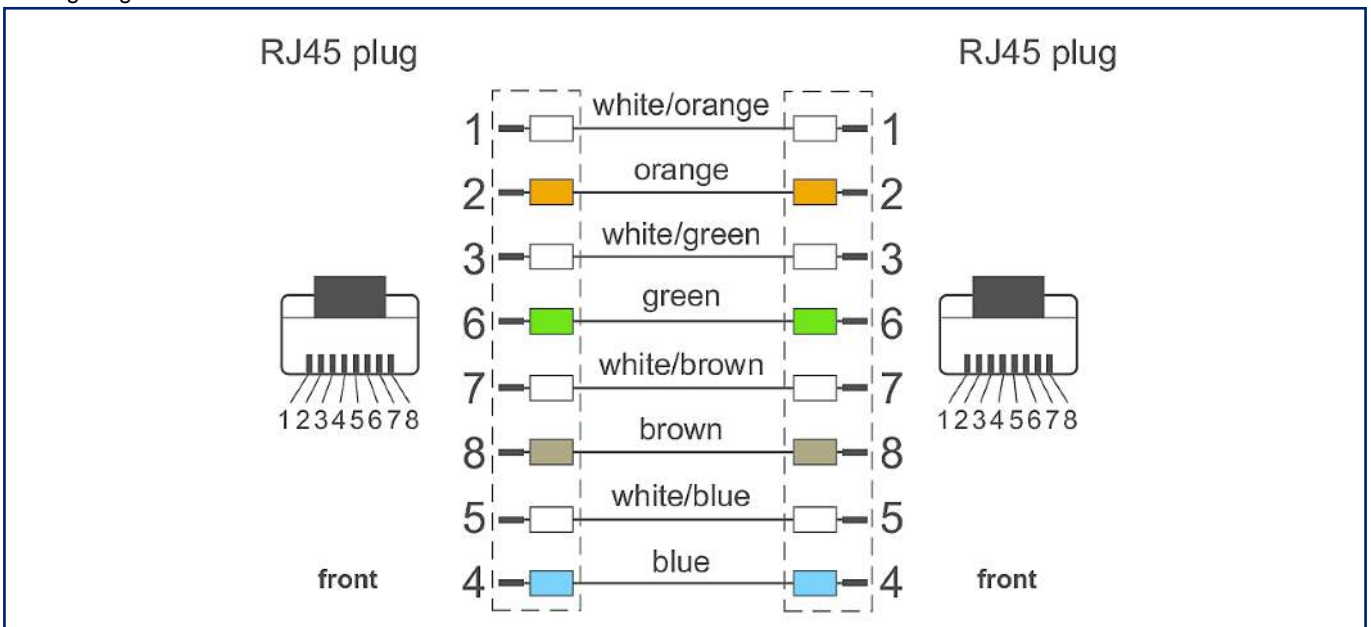
Version: G

### Illustrations

Dimensional drawing



Wiring diagram



# P | Cabling

Data sheet

Industry patch cord RJ45 Cat.6A PUR 2.0 m

Page 7/7

P/N

142M2X55020

EAN 4251394613246

2023/05/16

Version: G

## Illustrations

Principle diagram

