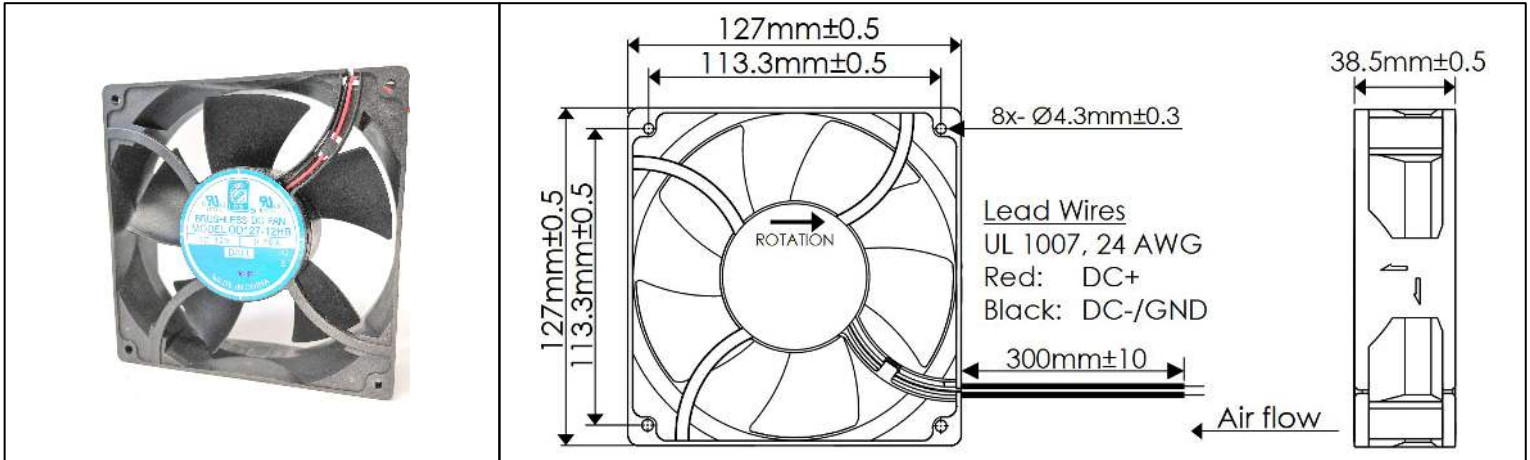


OD127 Series



DC Fans - 12, 24, 48V
127mm x 38.5mm (5.0" x 1.5")



Frame	PBT, UL94 V-0 Plastic	Operating Temperature -10°C ~ +70°C	
Impeller	PBT, UL94 V-0 Plastic		
Connection	2x Lead Wires, 24 AWG	Life Expectancy 70,000 Hours (L10 at 40°C)	
Motor	Brushless DC, Auto Cutoff, Auto Restart, Polarity Protected, Electronically Protected	Available Options PWM Speed Control Input Tachometer Output Alarm Output Thermistor Speed Control IP Ratings	
Bearing System	Ball Bearings	Weight: 0.82 lbs	
Dielectric Strength	500VDC/min, <1mA		
Insulation Resistance	≥10MΩ @ 500 VDC		

Part Number	Rated Voltage (Volts DC)	Voltage Range (Volts DC)	Input Power (Watts)	Rated Current (Amps)	Rated Speed (RPM)	Max Airflow (CFM)	Noise Level (dBA)	Max Static Pressure ("H ₂ O)
OD127-12HHB	12	10 ~ 13.8	14.64	1.22	3490	173	59	0.51
OD127-12HB	12	10 ~ 13.8	9.12	0.76	2925	144	54	0.37
OD127-12MB	12	10 ~ 13.8	5.76	0.48	2485	122	49	0.27
OD127-24HHB	24	21 ~ 26.4	14.64	0.61	3490	173	59	0.51
OD127-24HB	24	21 ~ 26.4	9.84	0.41	2925	144	54	0.37
OD127-24MB	24	21 ~ 26.4	6.24	0.26	2485	122	49	0.27
OD127-48HHB	48	44 ~ 52.8	16.32	0.34	3490	173	59	0.51
OD127-48HB	48	44 ~ 52.8	11.04	0.23	2925	144	54	0.37
OD127-48MB	48	44 ~ 52.8	8.16	0.17	2485	122	49	0.27