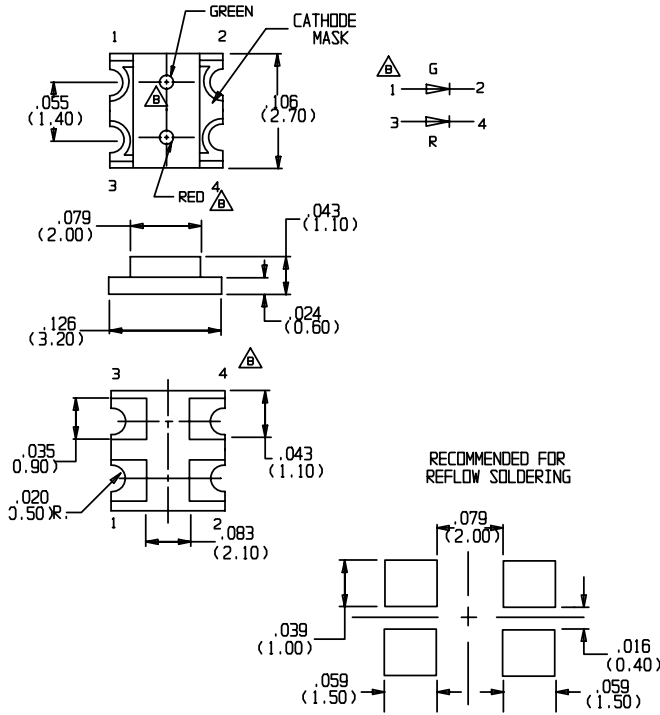
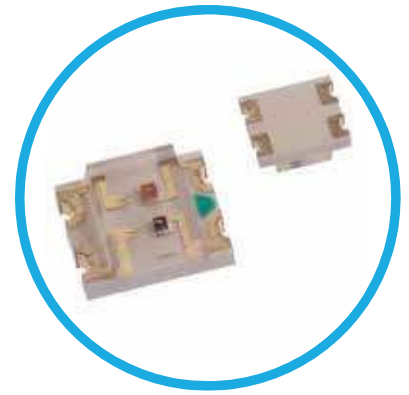




CMD1522 Series SMT LEDs 1206 Size Bicolor



All dimensions are in inches (mm)

Key Features

- Tape and reel packaged for high-speed autoinsertion.
- Convection and vapor-phase reflow compatible.
- Compact form enables high density placement.
- Packaged 2000 pieces per reel.
- RoHS Compliant
- Consistent high brightness.
- Integral lensing for narrow angle light dispersion.
- Stringent process controls assure quality.
- Extensive qualification testing to meet strictest requirements.
- Designed to permit easy post-reflow solder joint inspection.

Part Number	Emitted Color	Lens Color	Luminous Intensity Forward Voltage				Test Current (mA)	Peak Wavelength (nm)	Viewing Angle (°)
			Min. (mcd)	Typ. (mcd)	Typ. (V)	Max. (V)			
CMD1522VRVGCTR8	H.E.Red	Clear	3.6	6.0	2.0	2.8	20	640	140
	Green	Clear	6.0	10.0	2.1	2.8	20	570	140
CMD1522SRUGCTR8	Red	Clear	9.0	15.0	1.7	2.4	20	660	140
	Green	Clear	7.0	12.0	2.1	2.8	20	565	140

Absolute Maximum Ratings

	Green	H.E.Red	Super Red	Units
Power Dissipation	100	100	110	mW
Storage/Operating Temperature	-40 to +85	-40 to +85	-40 to +85	°C
Peak Forward Current (1µs @ 10% duty cycle)	160	160	200	mA
Reverse Voltage (IR=100µA)	4.0	4.0	4.0	V
Lead Solder Time @ 260°C	5	5	5	Seconds
Average Forward Current	30	30	40	mA

All dimensions are in inches (mm)

