

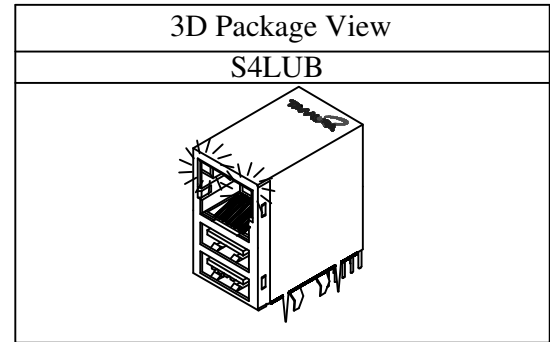


# RJ45 Integrated Connector, USB stack

10/100 Base-TX, Single Port, Through Hole, With LEDs & 250Ω

### Features:

1. Meets IEEE 802.3 and ANSI X3.263
2. Operating Temperature: 0°C to +85 °C
3. 1500Vrms Isolation
4. Enhanced Common Mode Attenuation for maximum EMI Suppression
5. Full Product Qualification Tests



Product Selection													
#	P/N	Row X Port	Pack age Style	Schematic Identification									
				Auto Xfmr	Input Pins-out		Output Pins-out		RTN	Turn Ratio	SCH #	LED	
					Y	Gr							
1	TIC-L032-11	1x1	S4LUB	X	1,4-5,2	3,7,6	1,4,5,2	3,7,8,6	Shd	1ct:1ct	17L	9,10	11,12

Package Identification				
Package #	Package Style	Size LWH		Package Identification
		inches	mm	
S4LUB	Single Port, USB	1.075 x 0.742 x 1.220	27.3 x 18.85 x 31.0	No Spring taps, USB with LED and Resistors, Shield Mounting GND tap - Plastic Mounting tap

Electrical Specification @ 25 °C								
Insertion Loss (dB Max)	Return Loss (dB Min)			CMRR (dB Min)	Crosstalk (dB Min)	OCL (m H Min)	Hipot (Vrms)	Impedance (Ω)
1-100 MHz 1	1-30 MHz -18	60 MHz -16	80 MHz -12	1-100 MHz -35	1-100 MHz -35	8mA Dc Bias 350	1 minute 1500	100

Package Information			
Weight		Quantity	
weight / pcs (g)	weight / carton (kg)	quantity / tray (pcs)	quantity / carton (pcs)
20.8	5.6	40	200

Product Qualification Tests	
Test #	Test Description
1	Product Performance : Complete Electrical Test, Mechanical Measurements and Visual Inspection
2	Low Level Contact Resistance
3	Dielectric Strength
4	Insulation Resistance
5	Vibration
6	Mechanical Shock
7	Durability (Repeated mating / unmating)
8	Solderability
9	Thermal Shock
10	Humidity Temperature Cycling



# RJ45 Integrated Connector, USB stack

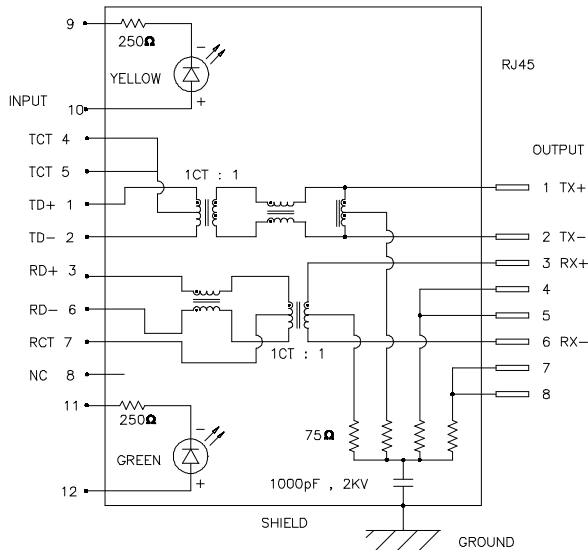
10/100 Base-TX, Single Port, Through Hole, With LEDs & 250Ω

Mechanical Material Specification							
RJ Contact				USB Contact			
Contact Material	Contact Finish			Contact Material	Contact Finish		
	Contact Area	Solder Tail Area	Underplating		Contact Area	Solder Tail Area	Underplating
Phosphor Bronze	Gold	Tin/Lead (9:1)	Nickel	Phosphor Bronze	Gold	Tin/Lead (9:1)	Nickel
0.30mm thick	30μ" Min.	100μ" Min.	50-100μ"	0.25mm thick	3μ"	150μ" Min.	100μ" Min.

Mechanical Material Specification									
RJ Joint Contact			LED Joint Contact			LED Lamp			
Contact Material	Contact Finish		Contact Material	Contact Finish		Lens Color	Emitted Color	View Angle	Wave Length
	Tin/Lead (9:1)	Nickel		Tin/Lead (9:1)	Nickel				
Brass	Tin/Lead (9:1)	Nickel	Brass	Tin/Lead (9:1)	Nickel	Transparent w/color	Green & Yellow	65°	Green 568nm
0.35mm thick	100μ" Min.	50μ" Min.	0.30mm thick	100μ" Min.	50μ" Min.				Yellow 585nm

Mechanical Material Specification										
Plastic						Shell				
RJ Housing Area	Set Housing	Insert	Spacer	Hat Cover	USB Housing	Front Shell	Back Shell	USB Shell	USB Spring	USB Back Shell
Thermoplastics						Stainless, SUS 304,	Brass		SPCC	
PC, Transparent	PC, Black	PA6T, Black	PBT, Black				Finish 150μ" Min. Tin/Lead (9:1)			
UL94V-0						0.25mm thick		0.30mm thick		

Schematic 17L





# RJ45 Integrated Connector, USB stack

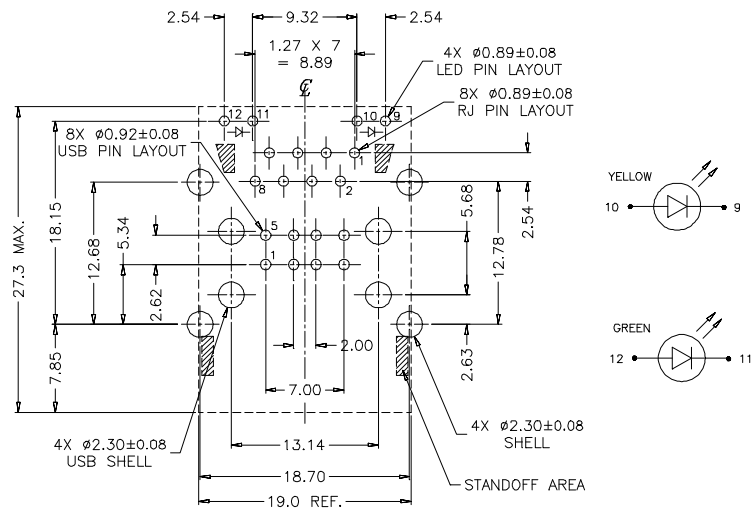
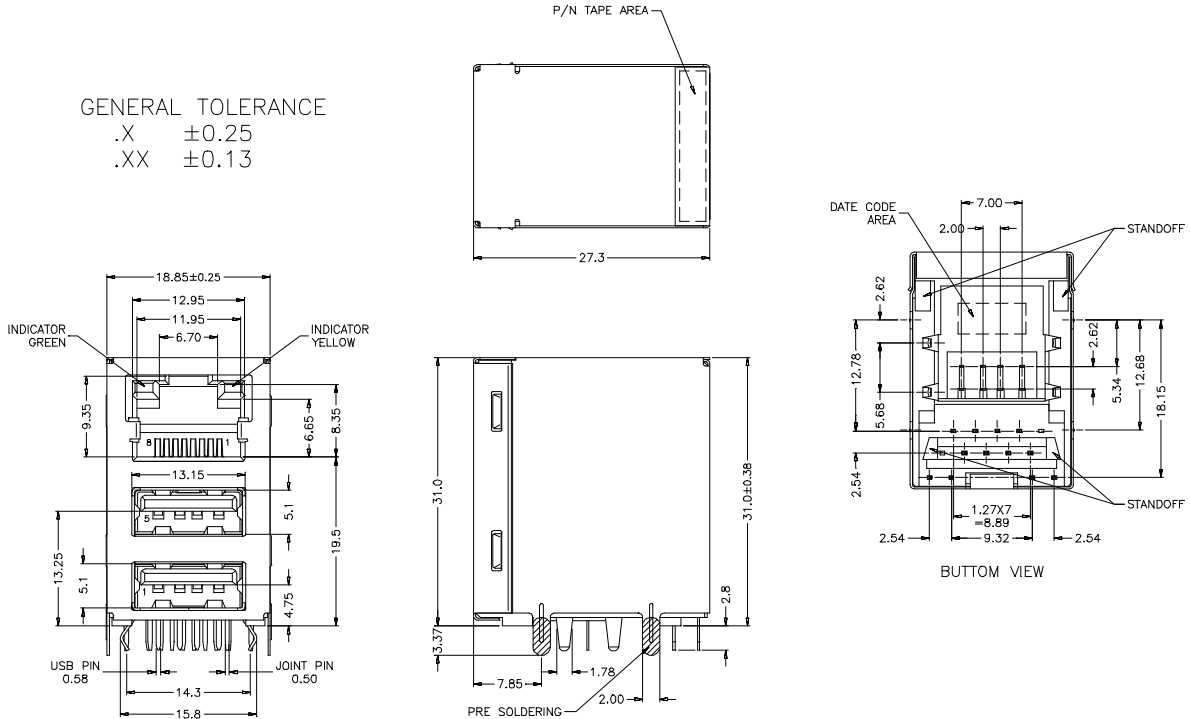
10/100 Base-TX, Single Port, Through Hole, With LEDs & 250Ω

## Package S4LUB

GENERAL TOLERANCE

.X ±0.25

.XX ±0.13



### RECOMMENDED PCB LAYOUT

COMPONENT SIDE PCB THICKNESS : 1.60mm

ALL DIMENSION TOLERANCE ARE ±0.05 UNLESS OTHERWISE SPECIFIED