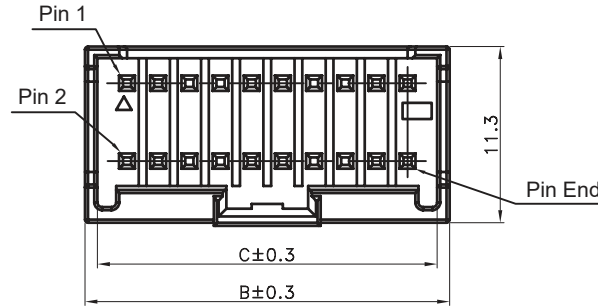
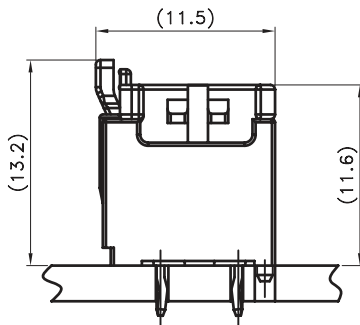


Recommended PCB Layout(Top View)



TECHNICAL CHARACTERISTICS

MATERIAL
 INSULATOR: PBT
 FLAMMABILITY RATING: UL94-V0
 COLOR: WHITE
 CONTACT MATERIAL: COPPER ALLOY
 CONTACT TYPE: STAMPED
 CONTACT PLATING: TIN
 QUALITY CLASS: 25 MATING CYCLES
 PITCH: 2.00 MM

ENVIRONMENTAL
 OPERATING TEMPERATURE: -25 UP TO 85°C
 COMPLIANCE: LEAD FREE AND ROHS

ELECTRICAL
 CURRENT RATING: 3 A
 WORKING VOLTAGE: 250 VAC
 INSULATOR RESISTANCE: >1000 MOHM
 DIELECTRIC WITHSTANDING VOLTAGE: 1000 VAC/MN
 CONTACT RESISTANCE: 20 MOHM MAX

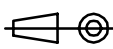
STANDARD
 RoHS CERTIFIED: E323964

SOLDERING
 JEDEC LEAD FREE WAVE SOLDERING

PACKAGING
 TUBE

Poles	Dimensions (mm)			Poles	Dimensions (mm)		
	A	B	C		A	B	C
4x2	6.0	11.4	9.8	13x2	24.0	29.4	27.8
5x2	8.0	13.4	11.8	14x2	26.0	31.4	29.8
6x2	10.0	15.4	13.8	15x2	28.0	33.4	31.8
7x2	12.0	17.4	15.8	16x2	30.0	35.4	33.8
8x2	14.0	19.4	17.8	17x2	32.0	37.4	35.8
9x2	16.0	21.4	19.8	18x2	34.0	39.4	37.8
10x2	18.0	23.4	21.8	19x2	36.0	41.4	39.8
11x2	20.0	25.4	23.8	20x2	38.0	43.4	41.8
12x2	22.0	27.4	25.8				


N			
M			
L			
K			
J			
I			
H	17-APR-17	TPK	AK
REV	DATE	FILE	BY

PROJECTION:


APPROVAL: BBu

GENERAL TOLERANCE
 .X = +/- 0.3
 .XX = +/- 0.2

UNIT: MM
 SCALE:
 SHEET: 1/3
 DRAW: MIKE



DESCRIPTION: 2.00 MM DUAL ROW MALE VERTICAL SHROUDED HEADER

WERI PART NO: 624 0xx 216 22

SIZE
A4

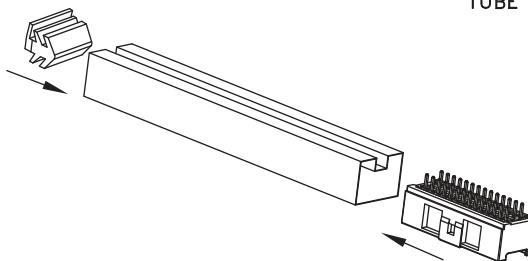
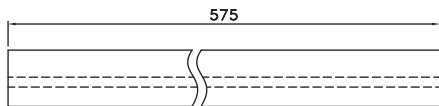
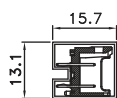
1

2

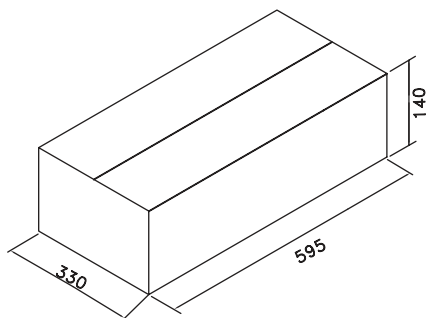
3

4

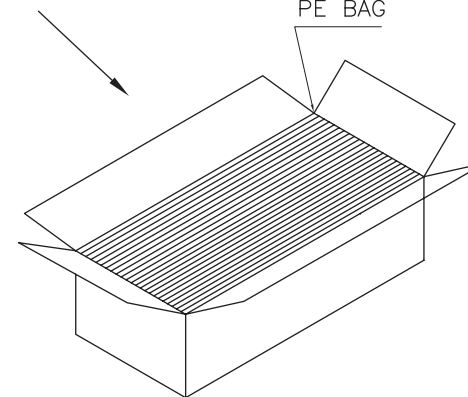
5



TUBE PACKING



CARTON PACKING
PE BAG



180TUBES/1CARTON

Poles	TUBE Quantity (pcs)	CARTON Quantity (pcs)	Poles	TUBE Quantity (pcs)	CARTON Quantity (pcs)	Poles	TUBE Quantity (pcs)	CARTON Quantity (pcs)
4x2	47	8460	10x2	23	4140	16x2	15	2700
5x2	40	7200	11x2	21	3780	17x2	14	2520
6x2	35	6300	12x2	20	3600	18x2	13	2340
7x2	31	5580	13x2	18	3240	19x2	13	2340
8x2	27	4860	14x2	17	3060	20x2	12	2160
9x2	25	4500	15x2	16	2880			

G			
F			
E			
D			
C			
B			
A			
REV	DATE	FILE	BY

PROJECTION:



GENERAL TOLERANCE

.X = +/- 0.2

.XX = +/- 0.15

APPROVAL: BBu

UNIT: MM

SCALE:

SHEET: 2/3

DRAW: MIKE



DESCRIPTION: 2.00MM MALE DUAL ROWS HORIZONTAL SHROUDED HEADER

WERI PART NO: 624 0xx 216 22

SIZE

A4

A

B

C

D

1

2

3

4

5

Cautions and Warnings:

This electronic component is designed and developed with the intention for use in general electronics equipments.

Before incorporating the components into any equipments in the field such as aerospace, aviation, nuclear control, submarine, transportation, (automotive control, train control, ship control), transportation signal, disaster prevention, medical, public information network etc. where higher safety and reliability are especially required or if there is possibility of direct damage or injury to human body, Würth Elektronik must be asked for a written approval.

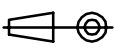

In addition, even electronic component in general electronic equipments, when used in electrical circuits that require high safety, reliability functions or performance, the sufficient reliability evaluation-check for the safety must be performed before by the user before usage.

A

B

C

RoHS Compliant

G				PROJECTION: 	GENERAL TOLERANCE .X = +/- 0.2 .XX = +/- 0.15		
F							
E							
D							
C				APPROVAL: JC	UNIT: MM	DESCRIPTION: DISCLAIMER	SIZE A4
B					SCALE:		
A	10-SEP-14	PDF	QL		SHEET: 3/3	WERI PART NO: DISCLAIMER	
REV	DATE	FILE	BY		DRAW: QL		

D