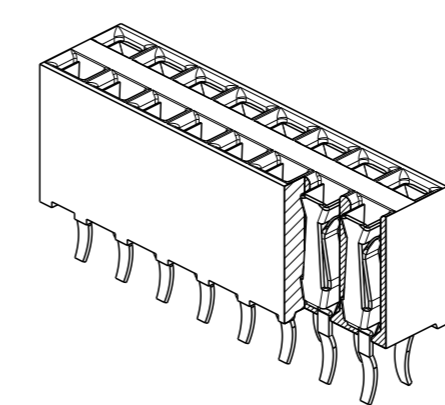
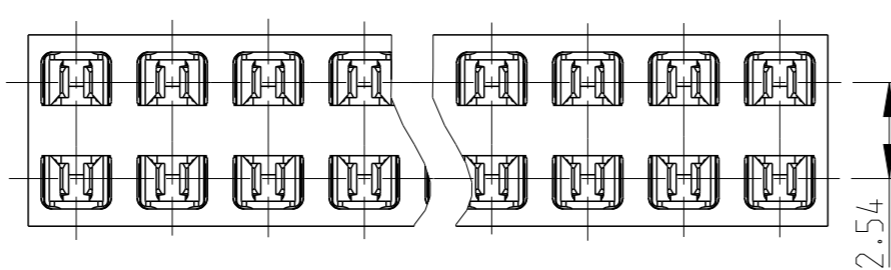
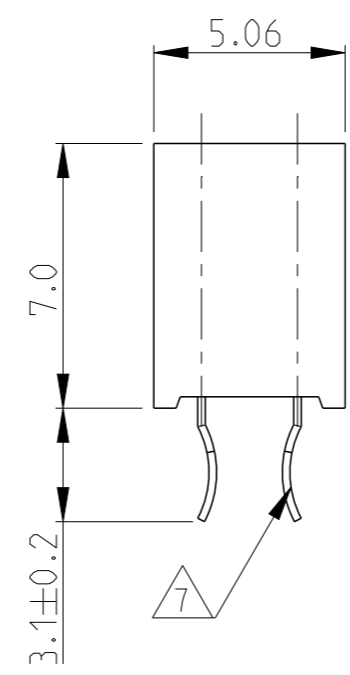
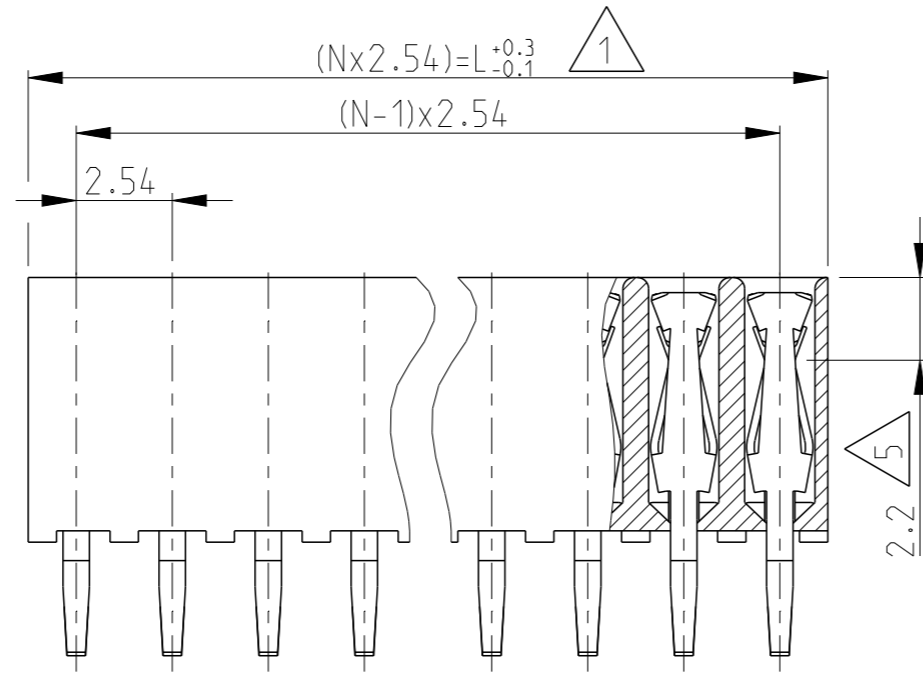


© 2019 TE Connectivity. All Rights Reserved.

REVISIONS

P	LTR	DESCRIPTION	DATE	DWN	APVD
E		PLASTIC MATERIAL SUPPLIER CHANGE	20MAR2019	SS	PS
F		PLASTIC MATERIAL COLOR CHANGE	16MAR2023	AJK	SPS

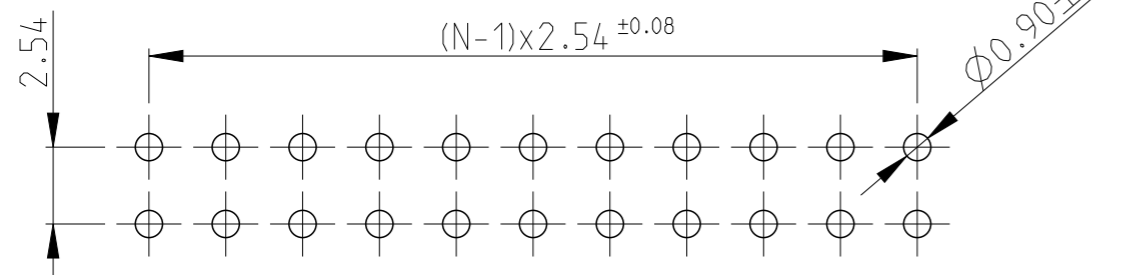
POS.PER ROW 'N'	L	PART NUMBER
2	5.08	215308-2 OBSOLETE
3	7.62	-3
4	10.16	-4
5	12.70	-5
6	15.24	-6 OBSOLETE
7	17.78	-7
8	20.32	-8
9	22.86	-9
10	25.40	4-0 OBSOLETE
11	27.94	1- -1
12	30.48	1- -2
13	33.02	4-3 OBSOLETE
14	35.56	4-4
15	38.10	1- -5
16	40.64	1- -6
17	43.18	4-7 OBSOLETE
18	45.72	1- -8
19	48.26	1- -9
20	50.80	2- -0
21	53.34	2-4 OBSOLETE
22	55.88	2- -2
23	58.42	2- -3
24	60.96	2- -4
25	63.50	2- -5
26	66.04	2-6 OBSOLETE
27	68.58	2-7
28	71.12	2- -8
29	73.66	2-9 OBSOLETE
30	76.2	3- -0
31	78.74	3-1 OBSOLETE
32	81.28	3- -2
33	83.82	3-3 OBSOLETE
34	86.36	3-4
35	88.90	3- -5
36	91.44	3- 215308 -6



NOTES:

- 1 TO DETERMINE DIMENSIONS TAKE 2xN = NR. OF POS.
FOR EXAMPLE: 2x10 POS; N x 2.54 = 25.4mm
FOR ORDER NO: USE BASIC - NR. + NR. OF POS.
FOR EXAMPLE: 2x2POS. = 215308-2 (SHORTEST VERSION)
2x36POS. = 3-215308-6 (LONGEST VERSION)
- 2 HOUSING MATERIAL: PBT BLACK GLASS FILLED, UL 94V-0
CONTACT MATERIAL: PHOSPHOR BRONZE
- 3 PLATING 2.5-4.0 μm TIN OVER 0.5 μm NICKEL
- 4 MATES WITH 0.63 SQUARE/ROUND MODU POSTS
- 5 CONTACT POINT
- 6 RECOMMENDED PC BOARD THICKNESS: 1.6mm
- 7 PC-BOARD RETENTION FEATURE
- 8 HV100 CONNECTOR PACKED IN ANTI-STATIC BLISTER TRAY

RECOMMENDED PCB LAYOUT



THIS DRAWING IS A CONTROLLED DOCUMENT.		DWN A.HO 24FEB1989	TE Connectivity	
DIMENSIONS: mm		CHK M.SCHAARSCHMIDT 24FEB1989		
TOLERANCES UNLESS OTHERWISE SPECIFIED: ±0.15		APVD G.FELDMEIER	NAME HV100 CONNECTOR VERTICAL, 7.0mm TOP ENTRY, DUAL ROW, TIN	
0 PLC ± 1 PLC ± 2 PLC ± 3 PLC ± 4 PLC ± ANGLES ±		PRODUCT SPEC 108-19056	SIZE A3	
MATERIAL 2		FINISH 3	APPLICATION SPEC -	CAGE CODE 00779
		WEIGHT -	DRAWING NO C=215308	RESTRICTED TO
CUSTOMER DRAWING			SCALE 5:1	SHEET 1 OF 1
			REV F	