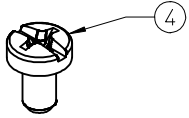
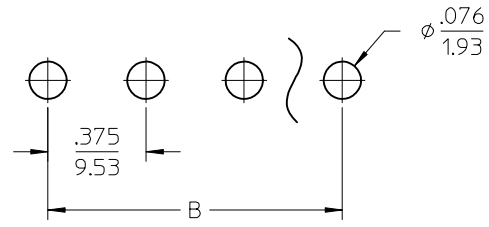
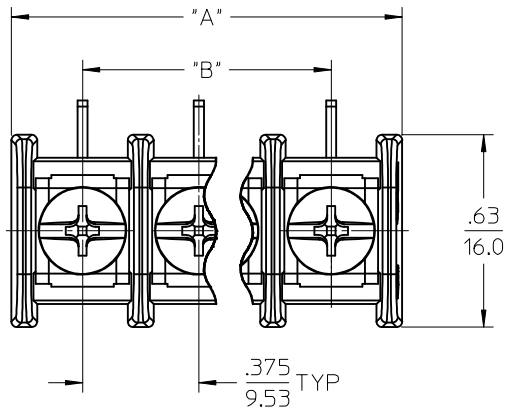
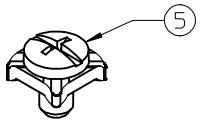


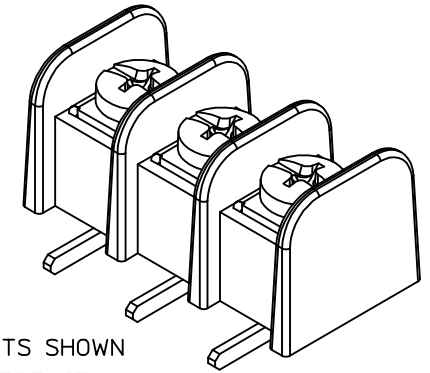
REF. -49 OPT. SCREW  
(WHERE APPLICABLE)



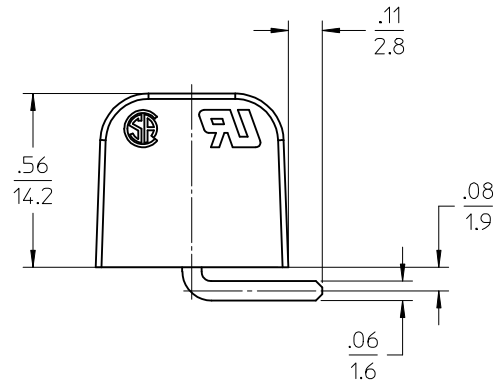
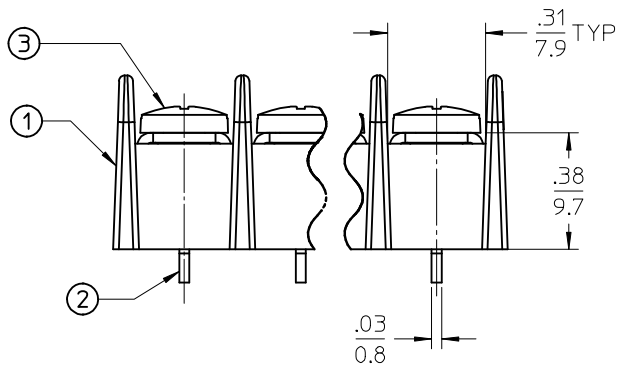
REF. -50 OPT. SCREW  
(WHERE APPLICABLE)



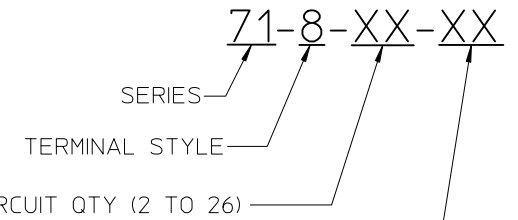
PTH PATTERN



3 CIRCUITS SHOWN  
AS REFERENCE



PART NUMBER LEGEND



OPTION (-49 BRASS,PHIL/SLOT SCREW)  
(-50 CLAMP WASHER,PHIL/SLOT SCREW)  
(-C NO MOUNTING ENDS)

NOTES:

1. MATERIAL: SEE TABLE.
2. FINISHES: SEE TABLE.
3. PRODUCT SPECIFICATION: PS-38710-001
4. "XX" REFERS TO NUMBER OF CIRCUITS.
5. ASSEMBLY IS RoHS COMPLIANT.

5		XX	#6-32 PH/SLOTTED SCREW W/WSHR (OPTION -50)	STEEL	ZINC	<p>RELEASED EC NO: IFC2016-0008 DRAWN: SVMURTHY 2015/06/30 CHKD: RSTONE 2015/06/30 APPR: JFMURPHY 2016/07/11</p> <p>DESCRIPTION REV A</p>	QUALITY SYMBOLS ▽/0	<p>GENERAL TOLERANCES (UNLESS SPECIFIED)</p> <table border="1"> <tr> <th></th> <th>mm</th> <th>INCH</th> </tr> <tr> <td>4 PLACES</td> <td>± ---</td> <td>± ---</td> </tr> <tr> <td>3 PLACES</td> <td>± ---</td> <td>± .005</td> </tr> <tr> <td>2 PLACES</td> <td>± 0.13</td> <td>± .01</td> </tr> <tr> <td>1 PLACE</td> <td>± 0.3</td> <td>± ---</td> </tr> <tr> <td>0 PLACE</td> <td>± ---</td> <td>± ---</td> </tr> </table> <p>ANGULAR ± 2° DRAFT WHERE APPLICABLE MUST REMAIN WITHIN DIMENSIONS</p>		mm	INCH	4 PLACES	± ---	± ---	3 PLACES	± ---	± .005	2 PLACES	± 0.13	± .01	1 PLACE	± 0.3	± ---	0 PLACE	± ---	± ---	<p>DIMENSION STYLE IN/MM</p> <p>DRAWN BY DATE SVMURTHY 2015/06/30</p> <p>CHECKED BY DATE RSTONE 2015/06/30</p> <p>APPROVED BY DATE JFMURPHY 2016/07/11</p>	<p>SCALE 2:1</p> <p>DESIGN UNITS INCH</p> <p>THIRD ANGLE PROJECTION</p>	<p>TITLE 9.53MM [.375"] SR BTS RA ASSY, NO MTG</p>
	mm	INCH																											
4 PLACES	± ---	± ---																											
3 PLACES	± ---	± .005																											
2 PLACES	± 0.13	± .01																											
1 PLACE	± 0.3	± ---																											
0 PLACE	± ---	± ---																											
4		XX	#6-32 PH/SLOTTED SCREW (OPTION -49)	BRASS	NICKEL	▽/0																							
3		XX	#6-32 PH/SLOTTED SCREW (STANDARD)	STEEL	ZINC	▽/0																							
2		XX	TERMINAL, WW SN-KT	BRASS	TIN	▽/0																							
1		1	INSULATOR	POLYESTER (PBT)	BLACK																								
ITEM	QTY	DESCRIPTION		MATERIAL	FINISH																								



MATERIAL NO. SEE SHEET 2 DOCUMENT NO. SD-38711-5302 SHEET NO. 1 OF 2

THIS DRAWING CONTAINS INFORMATION THAT IS PROPRIETARY TO MOLEX INCORPORATED AND SHOULD NOT BE USED WITHOUT WRITTEN PERMISSION

10 9 8 7 6 5 4 3 2 1

# OF CIRCUITS "XX"	DIM. "A"		DIM. "B"	
	in	mm	in	mm
02	.83	21.1	.375	9.53
03	1.21	30.7	.750	19.05
04	1.58	40.1	1.125	28.58
05	1.96	49.8	1.500	38.10
06	2.33	59.2	1.875	47.63
07	2.71	68.8	2.250	57.15
08	3.08	78.2	2.625	66.68
09	3.46	87.9	3.000	76.20
10	3.83	97.3	3.375	85.73
11	4.21	107	3.750	95.25
12	4.58	116	4.125	104.78
13	4.96	126	4.500	114.30
14	5.33	135	4.875	123.83
15	5.71	145	5.250	133.35
16	6.08	154	5.625	142.88
17	6.46	164	6.000	152.40
18	6.83	173	6.375	161.93
19	7.21	183	6.750	171.45
20	7.58	193	7.125	180.98
21	7.96	202	7.500	190.50
22	8.33	212	7.875	200.03
23	8.71	221	8.250	209.55
24	9.08	231	8.625	219.08
25	9.46	240	9.000	228.60
26	9.83	250	9.375	238.13

<b>RELEASED</b> EC NO: IFC2016-0008 DRWN: SVMURTHY 2015/06/30 CHKD: RSTONE 2015/06/30 APPR: JFMURPHY 2016/07/11 A	DESCRIPTION REV	QUALITY SYMBOLS $\nabla F/0$ $\nabla F/0$ $\nabla F/0$	GENERAL TOLERANCES (UNLESS SPECIFIED) <table border="1"> <thead> <tr> <th></th> <th>mm</th> <th>INCH</th> </tr> </thead> <tbody> <tr><td>4 PLACES</td><td><math>\pm</math>---</td><td><math>\pm</math>---</td></tr> <tr><td>3 PLACES</td><td><math>\pm</math>---</td><td><math>\pm</math>.005</td></tr> <tr><td>2 PLACES</td><td><math>\pm</math>0.13</td><td><math>\pm</math>.01</td></tr> <tr><td>1 PLACE</td><td><math>\pm</math>0.3</td><td><math>\pm</math>---</td></tr> <tr><td>0 PLACE</td><td><math>\pm</math>---</td><td><math>\pm</math>---</td></tr> </tbody> </table>		mm	INCH	4 PLACES	$\pm$ ---	$\pm$ ---	3 PLACES	$\pm$ ---	$\pm$ .005	2 PLACES	$\pm$ 0.13	$\pm$ .01	1 PLACE	$\pm$ 0.3	$\pm$ ---	0 PLACE	$\pm$ ---	$\pm$ ---	DIMENSION STYLE IN/MM DRAWN BY DATE SVMURTHY 2015/06/30 CHECKED BY DATE RSTONE 2015/06/30 APPROVED BY DATE JFMURPHY 2016/07/11	SCALE 2:1 DESIGN UNITS INCH THIRD ANGLE PROJECTION	TITLE 9.53MM [.375"] SR BTS RA ASSY, NO MTG
			mm	INCH																				
		4 PLACES	$\pm$ ---	$\pm$ ---																				
		3 PLACES	$\pm$ ---	$\pm$ .005																				
2 PLACES	$\pm$ 0.13	$\pm$ .01																						
1 PLACE	$\pm$ 0.3	$\pm$ ---																						
0 PLACE	$\pm$ ---	$\pm$ ---																						
ANGULAR $\pm$ 2° DRAFT WHERE APPLICABLE MUST REMAIN WITHIN DIMENSIONS			MATERIAL NO. 387112302	DOCUMENT NO. SD-38711-5302	SHEET NO. 2 OF 2																			
			SIZE B	THIS DRAWING CONTAINS INFORMATION THAT IS PROPRIETARY TO MOLEX INCORPORATED AND SHOULD NOT BE USED WITHOUT WRITTEN PERMISSION																				

9 8 7 6 5 4 3 2 1