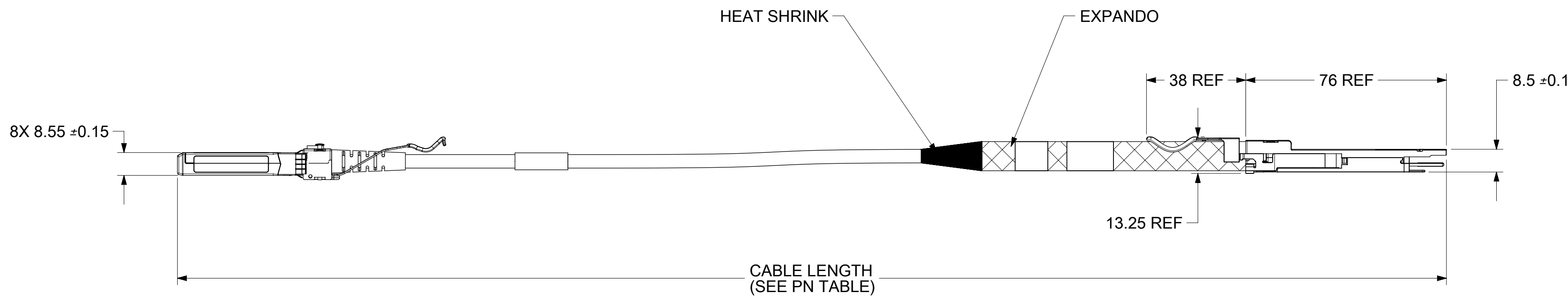


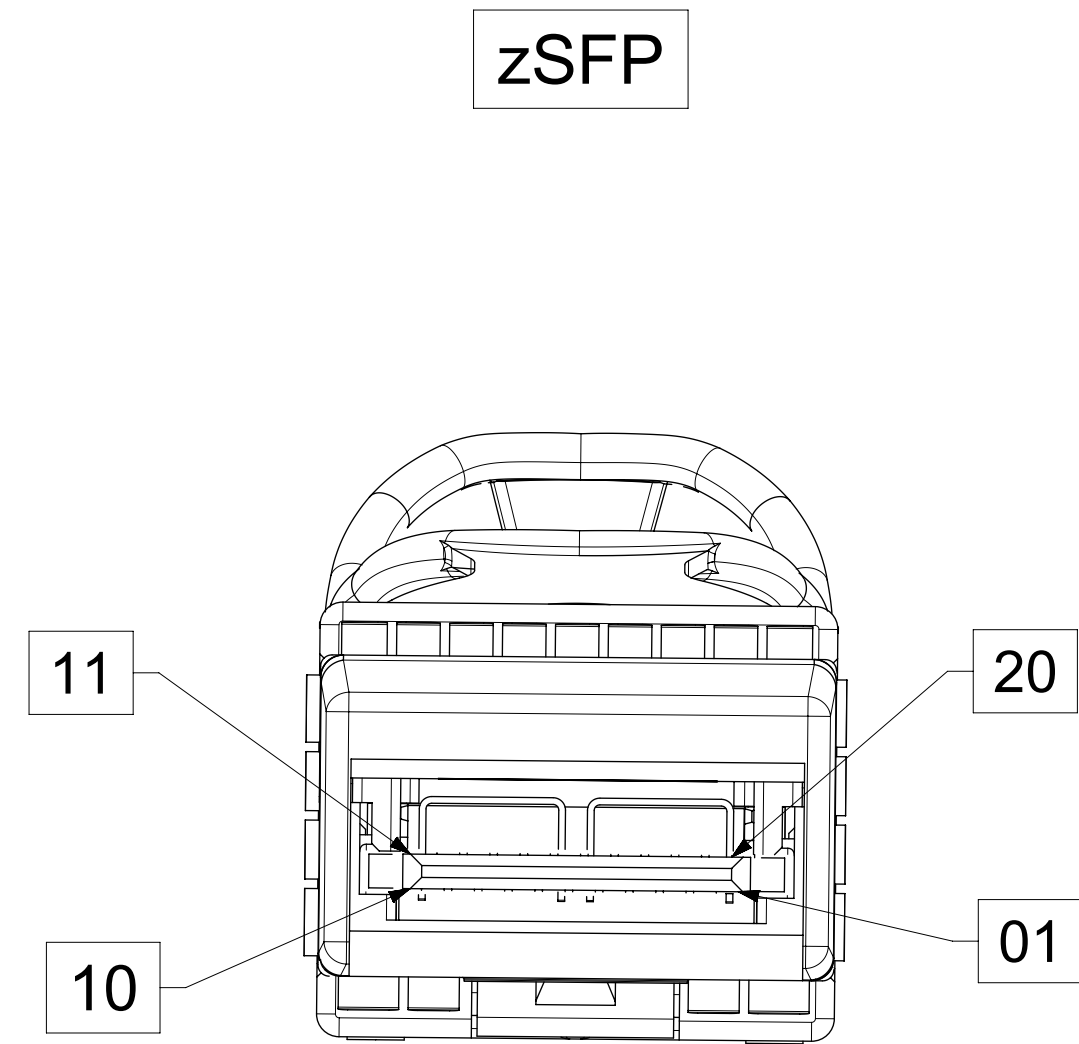
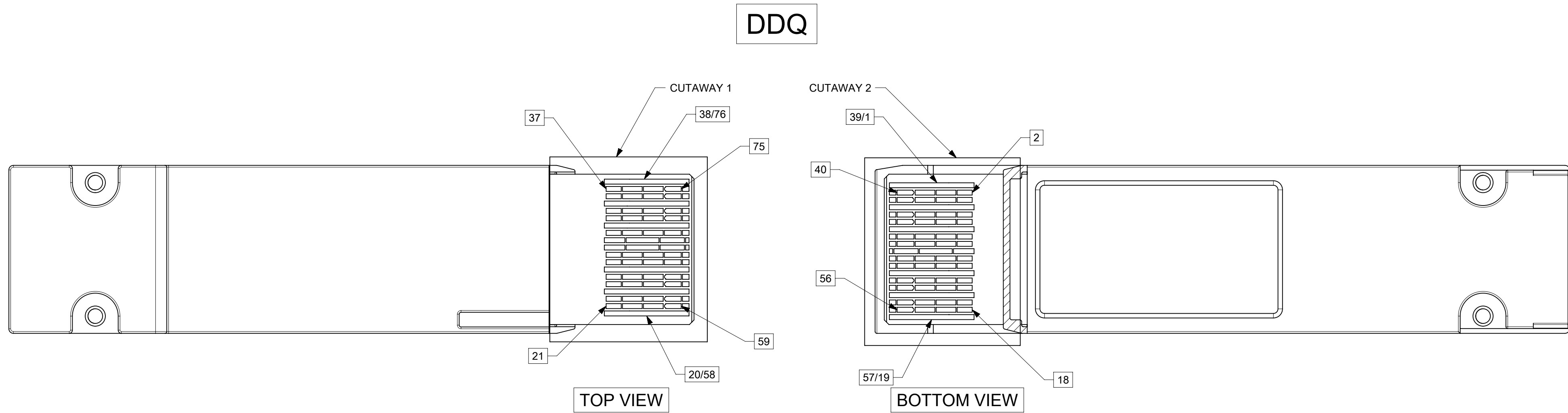
MOLEX P/N	LENGTH (M)	TOL. (MM)	AWG
2067231005	0.5	+/- 50	30
2067231010	1.0	+/- 50	30
2067231015	1.5	+/- 80	30
2067231020	2.0	+/- 80	30
2067231025	2.5	+/- 80	30
2067231030	3.0	+/- 80	30
2067233005	0.5	+/- 50	28
2067233010	1.0	+/- 50	28
2067233015	1.5	+/- 80	28
2067233020	2.0	+/- 80	28
2067233025	2.5	+/- 80	28
2067233030	3.0	+/- 80	28
2067233035	3.5	+/- 80	28
2067233040	4.0	+/- 80	28



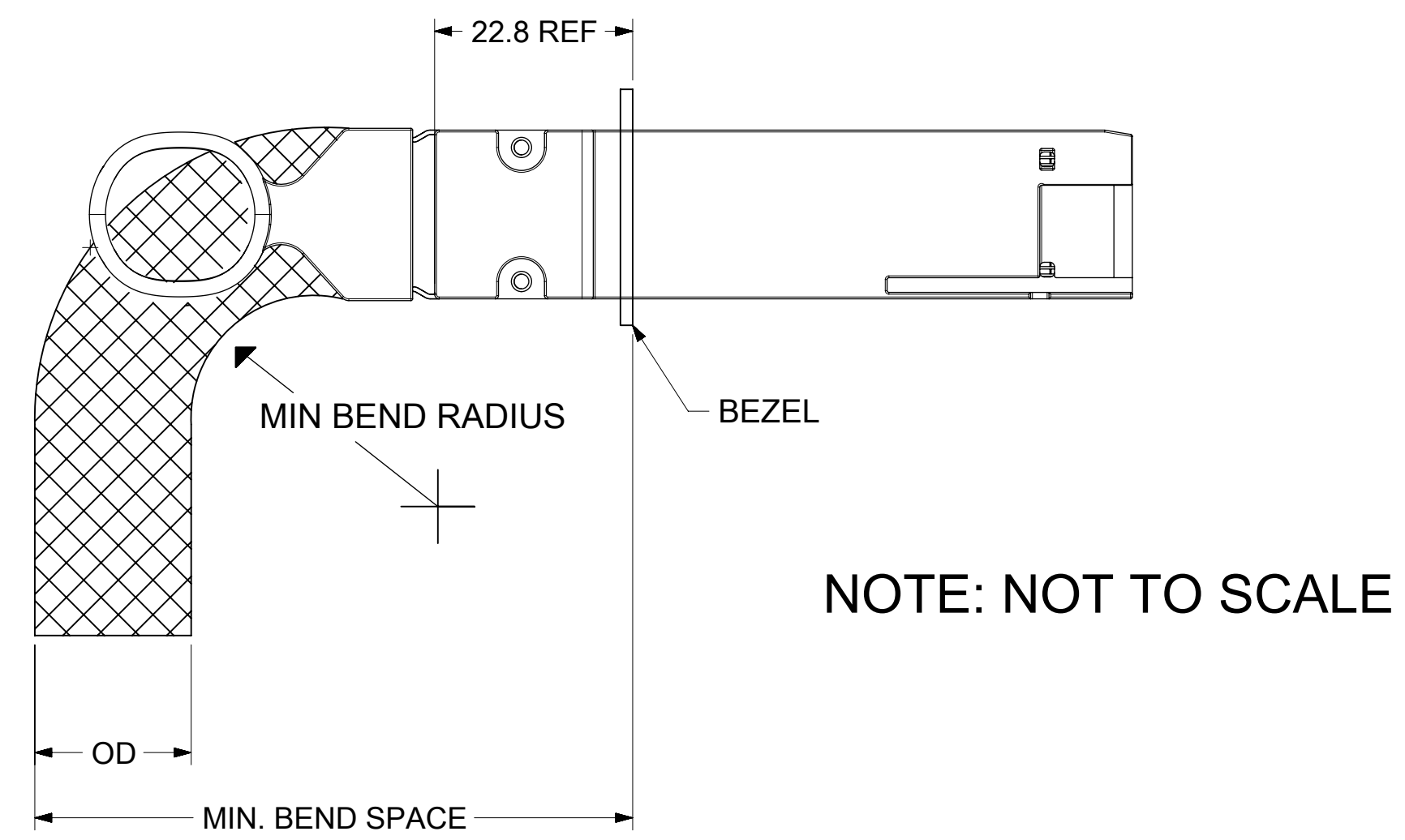
**! TENTATIVE PROPOSAL
PENDING ELECTRICAL QUALIFICATION**

- NOTES:**
- MATERIALS**
BACKSHELLS - NICKEL PLATED ZINC
ZSFP END DE-LATCH - PLASTIC
DDQ END DE-LATCH - STAINLESS STEEL WITH OVERMOLDED NYLON
RIVETS - STAINLESS STEEL
 - EACH ASSEMBLY HAS A SERIAL ID
 - RoHS COMPLIANT, NO EXEMPTIONS.
 - CABLE LENGTH DEPENDS ON WIRE GAUGE, DATA RATE, AND HOST BOARD DRIVER CAPABILITIES
 - IMPEDANCE - 100 OHMS DIFFERENTIAL
 - CABLE IS UL RECOGNIZED (TBD)
 - EEPROM MAP AVAILABLE UPON REQUEST

SYMBOLS	THIS DRAWING CONTAINS INFORMATION THAT IS PROPRIETARY TO MOLEX ELECTRONIC TECHNOLOGIES, LLC AND SHOULD NOT BE USED WITHOUT WRITTEN PERMISSION		CURRENT REV DESC: ADDED SPEED LABEL	
	DIMENSION UNITS	SCALE		
▽ = 0	mm	1:1.25		
▽ = 0	GENERAL TOLERANCES (UNLESS SPECIFIED)			
▽ = 0	ANGULAR TOL	± °		
▽ = 0	4 PLACES	±		
▽ = 0	3 PLACES	±		
▽ = 0	2 PLACES	± 0.13		
▽ = 0	1 PLACE	± 0.25		
▽ = 0	0 PLACES	±		
■ = 0	DRAFT WHERE APPLICABLE MUST REMAIN WITHIN DIMENSIONS			
▽ = 0	THIRD ANGLE PROJECTION	DRAWING	SERIES	
		D-SIZE	206723	
DOCUMENT NUMBER		DOC TYPE	DOC PART	REVISION
2067231005		PSD	000	C
MATERIAL NUMBER		CUSTOMER		SHEET NUMBER
SEE P/N TABLE		GENERAL MARKET		1 OF 4



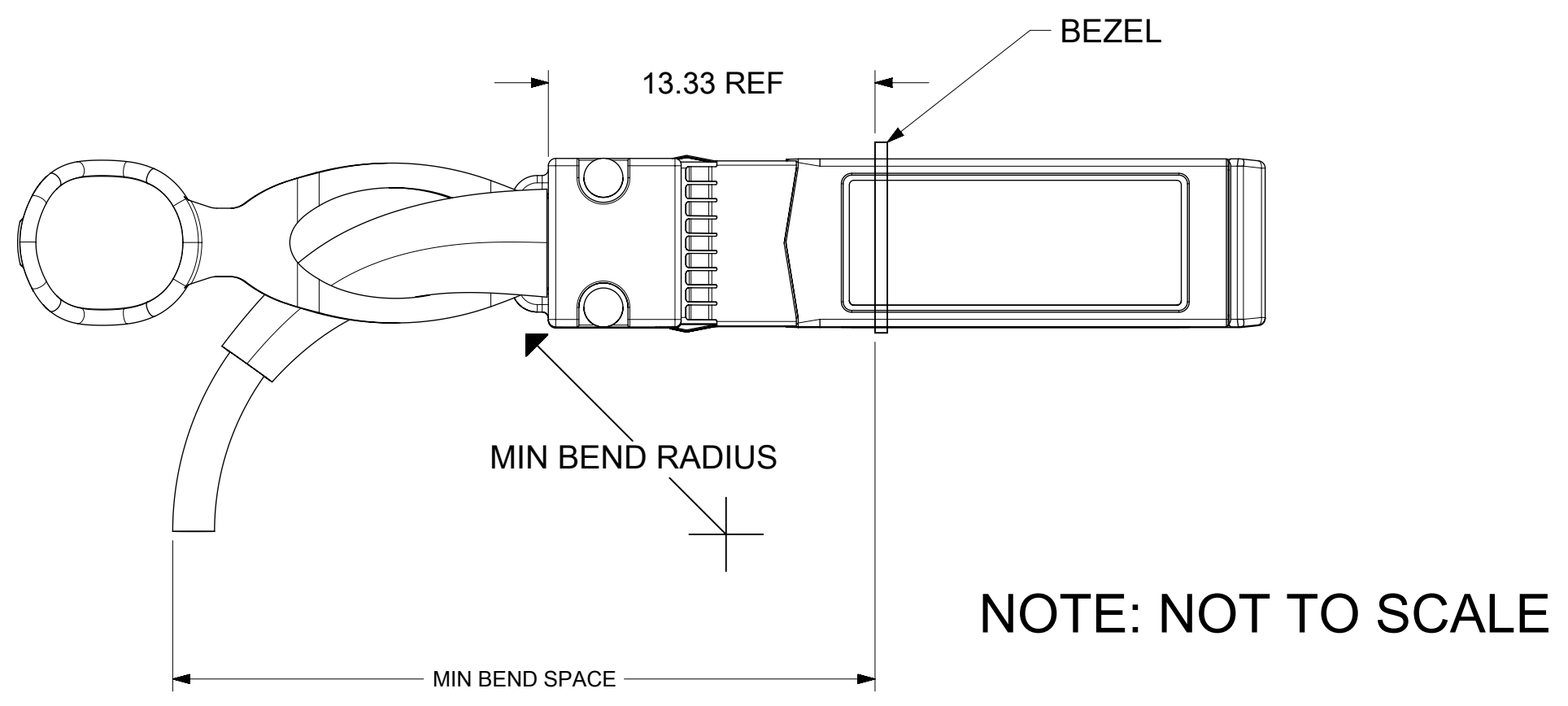
DDQ CABLE BEND RADIUS



CABLE AWG	OD (mm)	MIN BEND RADIUS (mm)	MIN BEND SPACE (mm)
28	(11)	(66)	(89)
30	(9.4)	(47)	(79)

MINIMUM BEND RADIUS PENDING QUALIFICATION, NUMBERS ABOVE ARE ESTIMATES AND SUBJECT TO CHANGE.

SFP28 CABLE BEND RADIUS



AWG	O.D. (mm)	MIN BEND RADIUS (mm)	MIN BEND SPACE (mm)
28	5.2	(26)	(45)
30	4.83	(24)	(42)

MINIMUM BEND RADIUS PENDING QUALIFICATION, NUMBERS ABOVE ARE ESTIMATES AND SUBJECT TO CHANGE.

SYMBOLS	THIS DRAWING CONTAINS INFORMATION THAT IS PROPRIETARY TO MOLEX ELECTRONIC TECHNOLOGIES, LLC AND SHOULD NOT BE USED WITHOUT WRITTEN PERMISSION		CURRENT REV DESC: ADDED SPEED LABEL	
	DIMENSION UNITS	SCALE		
▽ = 0	mm	5:1		
▽ = 0	GENERAL TOLERANCES (UNLESS SPECIFIED)			
▽ = 0	ANGULAR TOL	±	°	
▽ = 0	4 PLACES	±		
▽ = 0	3 PLACES	±		
▽ = 0	2 PLACES	±	0.13	
▽ = 0	1 PLACE	±	0.25	
▽ = 0	0 PLACES	±		
■ = 0	DRAFT WHERE APPLICABLE	THIRD ANGLE PROJECTION		
▽ = 0	MUST REMAIN WITHIN DIMENSIONS	DRAWING	SERIES	
		D-SIZE	206723	
DOCUMENT STATUS		P1	RELEASE DATE	2019/08/07 10:02:16

molex			
QSFP-DD-8ZSFP 25G SALES DRAWING			
PRODUCT CUSTOMER DRAWING			
DOCUMENT NUMBER	DOC TYPE	DOC PART	REVISION
2067231005	PSD	000	C
MATERIAL NUMBER	CUSTOMER	SHEET NUMBER	
SEE P/N TABLE	GENERAL MARKET	2 OF 4	

WIRING DIAGRAM					
DDQ END			zSFP END		PORT
Pad	Signal		Pad	Signal	
35	GND	----		GND	1
36	TX1p	--->	13	RD+	
37	TX1n	--->	12	RD-	
16	GND	----		GND	
17	RX1p	<---	18	TD+	2
18	RX1n	<---	19	TD-	
1	GND	----		GND	
2	TX2n	--->	12	RD-	
3	TX2p	--->	13	RD+	3
20	GND	----		GND	
21	RX2n	<---	19	TD-	
22	RX2p	<---	18	TD+	
32	GND	----		GND	4
33	TX3p	--->	13	RD+	
34	TX3n	--->	12	RD-	
13	GND	----		GND	
14	RX3p	<---	18	TD+	5
15	RX3n	<---	19	TD-	
4	GND	----		GND	
5	TX4n	--->	12	RD-	
6	TX4p	--->	13	RD+	6
23	GND	----		GND	
24	RX4n	<---	19	TD-	
25	RX4p	<---	18	TD+	
7	GND	----		GND	7
19	GND	----		GND	
26	GND	----		GND	
38	GND	----		GND	

WIRING DIAGRAM					
DDQ END			zSFP END		PORT
Pad	Signal		Pad	Signal	
73	GND	----		GND	5
74	TX5p	--->	13	RD+	
75	TX5n	--->	12	RD-	
54	GND	----		GND	
55	RX5p	<---	18	TD+	6
56	RX5n	<---	19	TD-	
39	GND	----		GND	
40	TX6n	--->	12	RD-	
41	TX6p	--->	13	RD+	7
58	GND	----		GND	
59	RX6n	<---	19	TD-	
60	RX6p	<---	18	TD+	
70	GND	----		GND	8
71	TX7p	--->	13	RD+	
72	TX7n	--->	12	RD-	
51	GND	----		GND	
52	RX7p	<---	18	TD+	9
53	RX7n	<---	19	TD-	
42	GND	----		GND	
43	TX8n	--->	12	RD-	
44	TX8p	--->	13	RD+	10
61	GND	----		GND	
62	RX8n	<---	19	TD-	
63	RX8p	<---	18	TD+	
45	GND	----		GND	11
57	GND	----		GND	
64	GND	----		GND	
76	GND	----		GND	

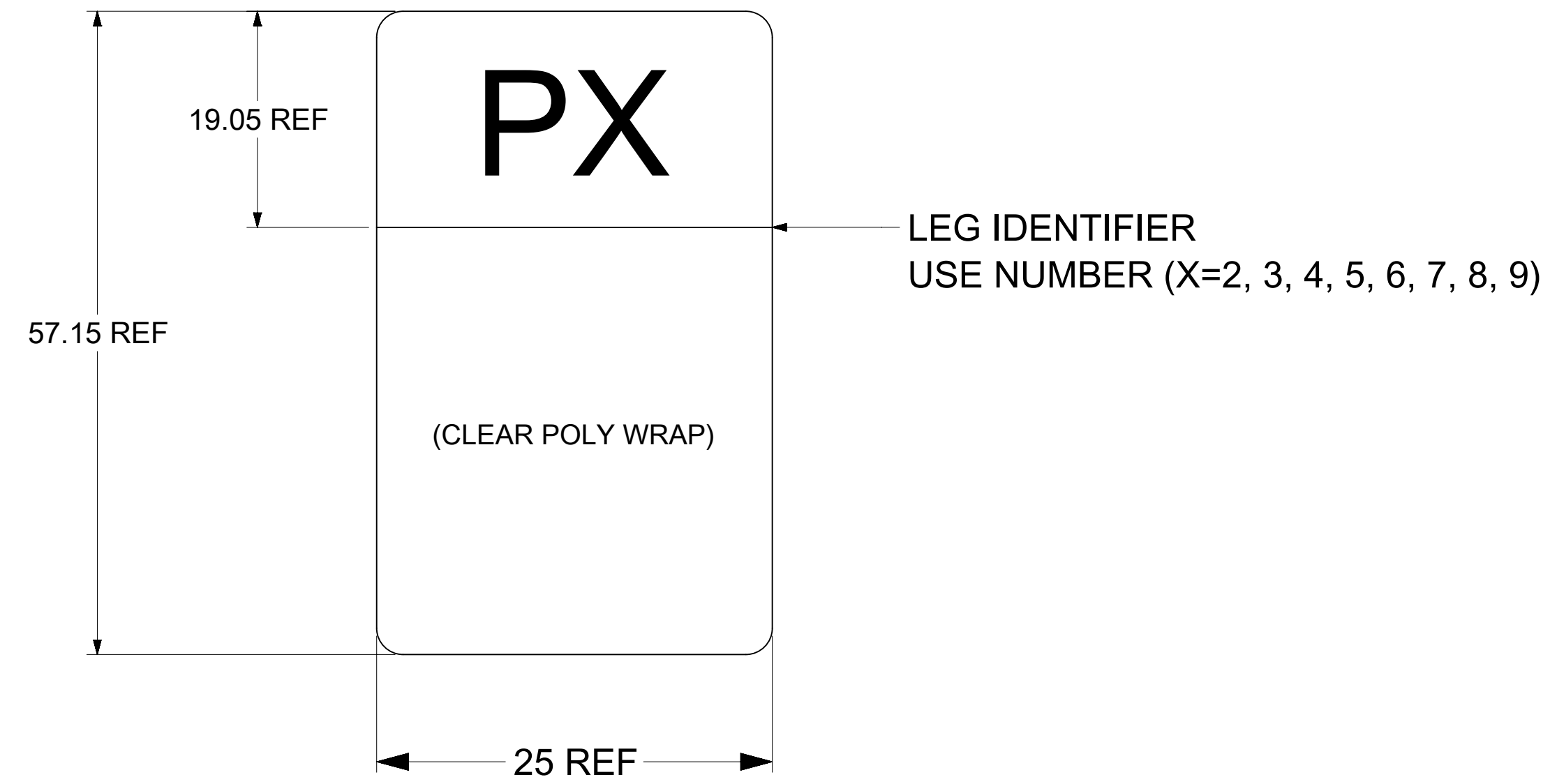
LEGEND:

---- = DRAIN LINES

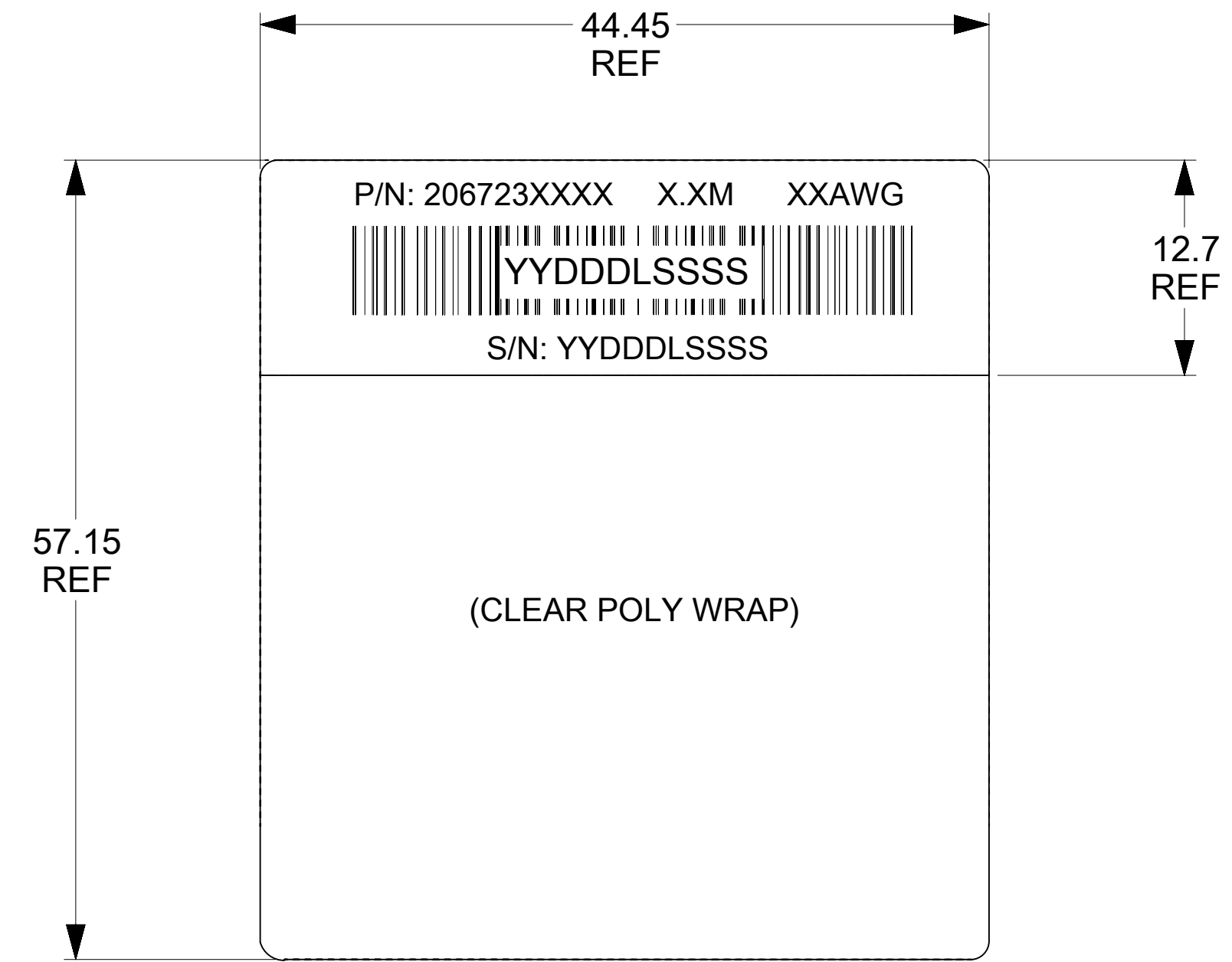
---> = TRANSMIT TO RECEIVE ON HIGH SPEED CIRCUITS

SYMBOLS	THIS DRAWING CONTAINS INFORMATION THAT IS PROPRIETARY TO MOLEX ELECTRONIC TECHNOLOGIES, LLC AND SHOULD NOT BE USED WITHOUT WRITTEN PERMISSION		
	DIMENSION UNITS	SCALE	CURRENT REV DESC: ADDED SPEED LABEL
= 0	mm	1:1	molex QSFP-DD-8ZSFP 25G SALES DRAWING PRODUCT CUSTOMER DRAWING
= 0	GENERAL TOLERANCES (UNLESS SPECIFIED)		
= 0	ANGULAR TOL	± °	
= 0	4 PLACES	±	
= 0	3 PLACES	±	
= 0	2 PLACES	± 0.13	EC NO: 621944 DRWN: SKAMATHN 2019/07/05 CHK'D: SCHANNARAYAN 2019/08/07 APPR: KNAGANNA 2019/08/07
= 0	1 PLACE	± 0.25	
= 0	0 PLACES	±	INITIAL REVISION: DRWN: ZDANDURAND 2018/01/17 APPR: ADTUCKER 2018/01/22
= 0	DRAFT WHERE APPLICABLE MUST REMAIN WITHIN DIMENSIONS	THIRD ANGLE PROJECTION	DOCUMENT NUMBER: 2067231005 DOC TYPE: PSD DOC PART: 000 REVISION: C
= 0		DRAWING: D-SIZE	MATERIAL NUMBER: 206723 CUSTOMER: GENERAL MARKET SHEET NUMBER: 3 OF 4

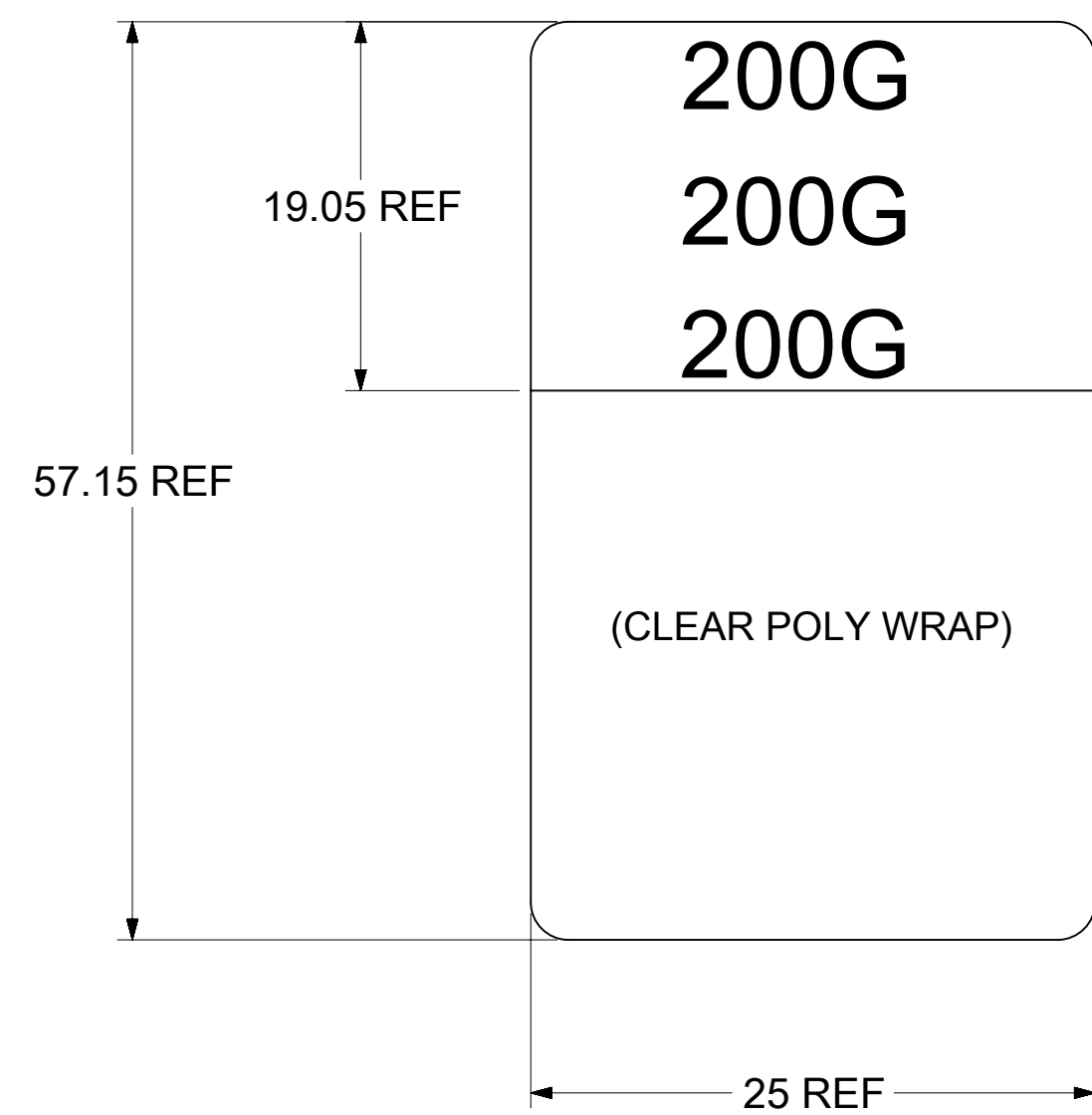
LEG ID LABEL



LABEL DETAILS



SPEED LABEL



P/N: 206723XXXX - MOLEX PART NUMBER (SEE P/N TABLE)

- X.XM - CABLE LENGTH IN METERS (EXAMPLES - 0.5M, 1.0M)
- XXAWG - CABLE SIZE IN AWG (SEE P/N TABLE)
- S/N: YYDDDLSSSS - SERIAL NUMBER
- YY - YEAR, THE LAST 2 DIGITS OF YEAR
- DDD - DAY OF THE YEAR
- L - LOCATION
- 1 - USA
- 2 - MEXICO
- 3 - CHINA
- 4 - PHILIPPINES
- SSSS - SERIAL NUMBER (0001-9999)

SYMBOLS	THIS DRAWING CONTAINS INFORMATION THAT IS PROPRIETARY TO MOLEX ELECTRONIC TECHNOLOGIES, LLC AND SHOULD NOT BE USED WITHOUT WRITTEN PERMISSION		
	DIMENSION UNITS	SCALE	CURRENT REV DESC: ADDED SPEED LABEL
▽ = 0	mm	1:1	molex QSFP-DD-8ZSFP 25G SALES DRAWING PRODUCT CUSTOMER DRAWING DOCUMENT NUMBER: 2067231005 DOC TYPE: PSD DOC PART: 000 REVISION: C MATERIAL NUMBER: SEE P/N TABLE CUSTOMER: GENERAL MARKET SHEET NUMBER: 4 OF 4
▽ = 0	GENERAL TOLERANCES (UNLESS SPECIFIED)		
▽ = 0	ANGULAR TOL ± °		
▽ = 0	4 PLACES	±	
▽ = 0	3 PLACES	±	
▽ = 0	2 PLACES	± 0.13	
▽ = 0	1 PLACE	± 0.25	
▽ = 0	0 PLACES	±	
☒ = 0	DRAFT WHERE APPLICABLE MUST REMAIN WITHIN DIMENSIONS		EC NO: 621944 DRWN: SKAMATHN 2019/07/05 CHK'D: SCHANNARAYAN 2019/08/07 APPR: KNAGANNA 2019/08/07 INITIAL REVISION: DRWN: ZDANDURAND 2018/01/17 APPR: ADTUCKER 2018/01/22
▽ = 0	DRAFT WHERE APPLICABLE MUST REMAIN WITHIN DIMENSIONS	THIRD ANGLE PROJECTION	DRAWING: D-SIZE SERIES: 206723