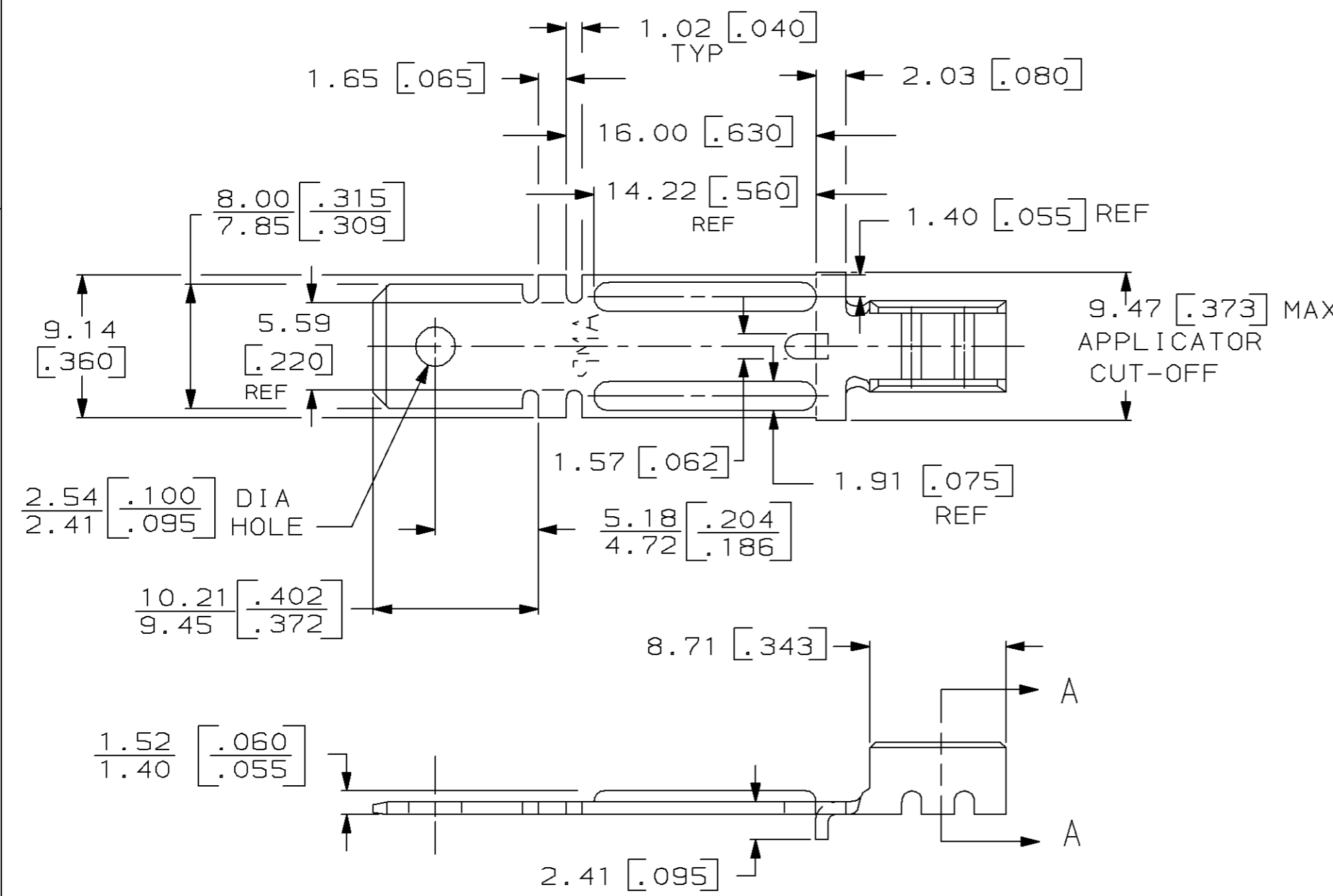
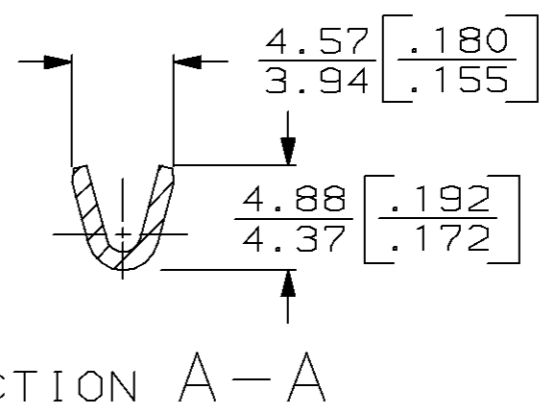


THIS DRAWING IS UNPUBLISHED. RELEASED FOR PUBLICATION, 19  
 © COPYRIGHT 19 BY AMP INCORPORATED, HARRISBURG, PA. ALL INTERNATIONAL RIGHTS RESERVED. AMP PRODUCTS MAY BE COVERED BY U.S. AND FOREIGN PATENTS AND/OR PATENTS PENDING.

LOC	DIST	P	F	REVISIONS				
AF	50			ZONE	LTR	DESCRIPTION	DATE	APPROVED
					D	REV PER 0370-93	10/26/93	JR / GY



1- DIMENSIONS IN BRACKETS ARE IN INCHES.  
 2- CONTINUOUS STRIP ON REELS.  
 3- SEE SHEET 2 FOR SUGGESTED LOCKING IN CERAMIC.

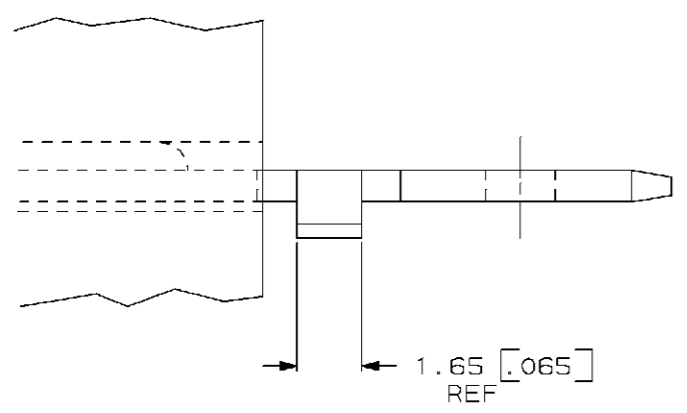
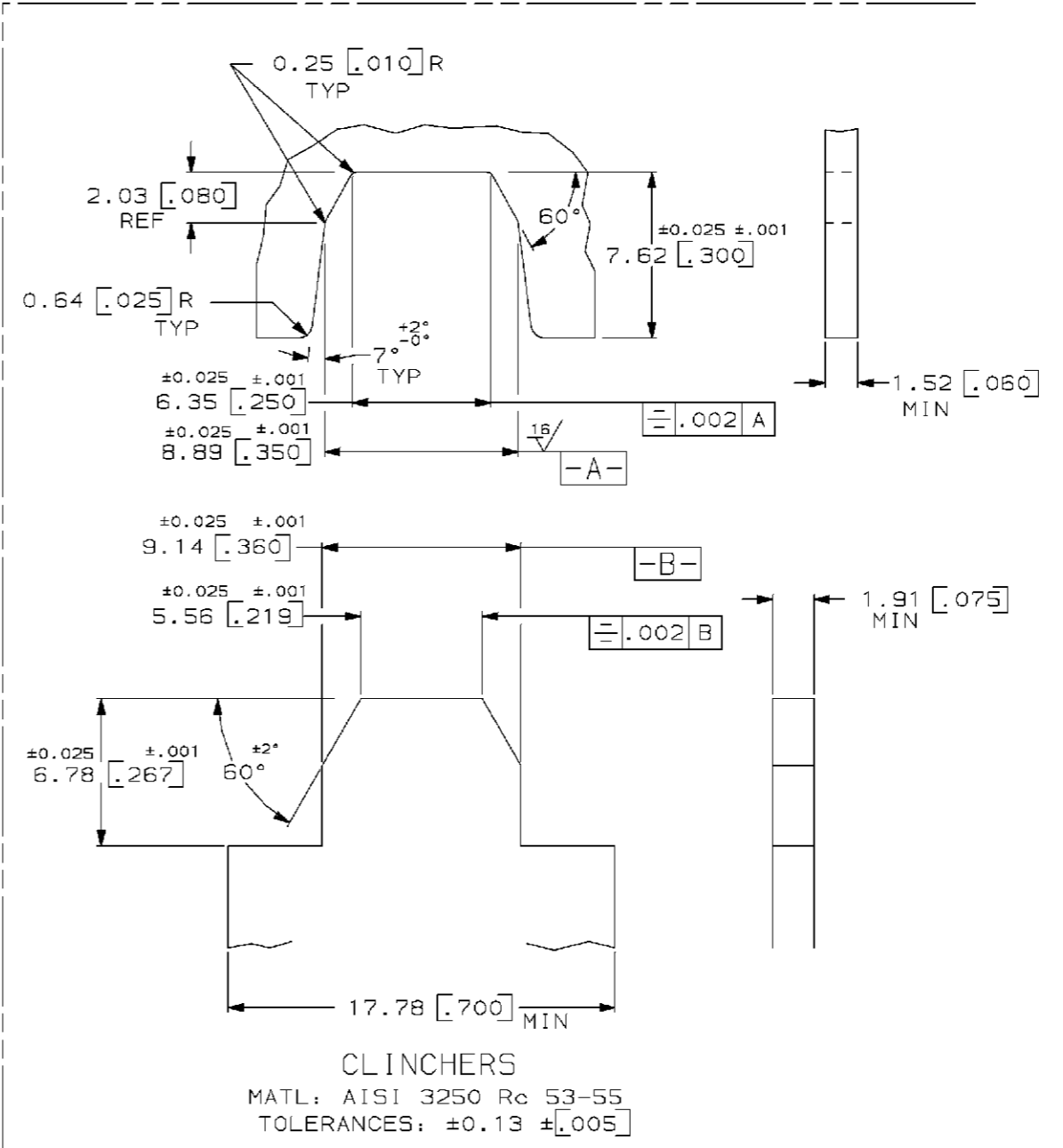
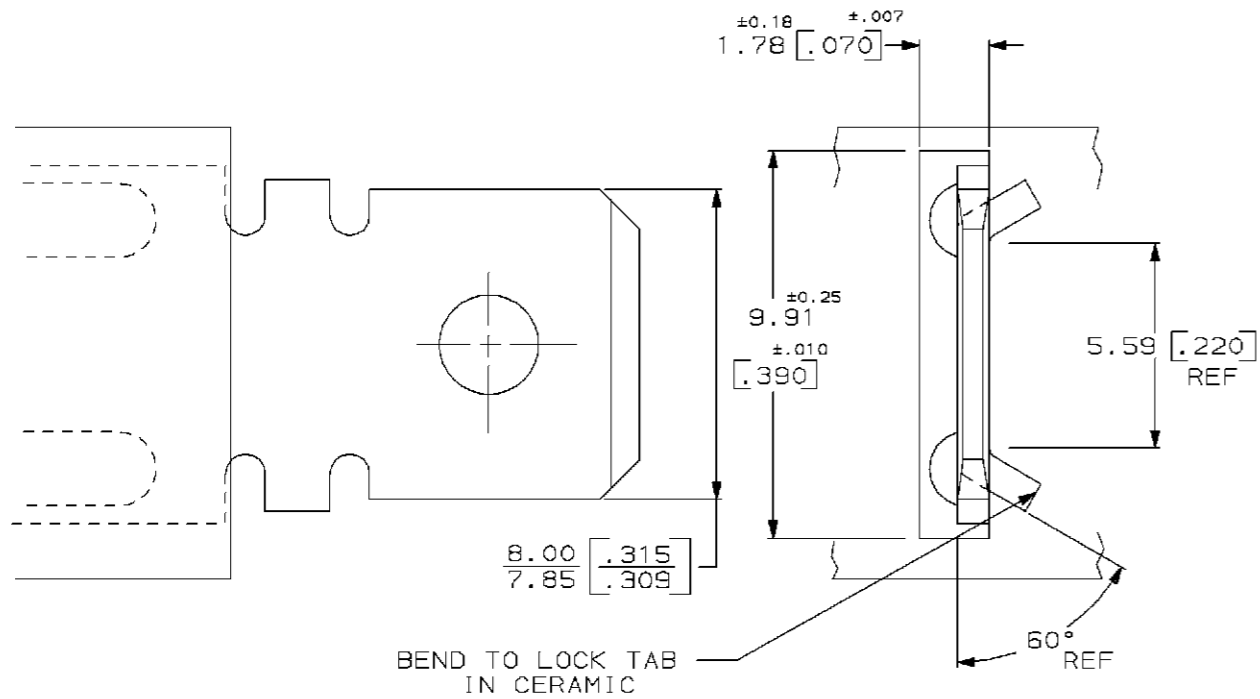


		[22-15 AWG] 0.30-1.45mm DIA	63390-1
		WIRE SIZE	PART NO
UNLESS OTHERWISE SPECIFIED DIMENSIONS ARE IN INCHES TOLERANCES ON:		<b>AMP</b> AMP INCORPORATED Harrisburg, Pa. 17105	
2 PL DEC ±		NAME	
3 PL DEC ± 0.25 [.010]		.312 TAB FOR NI-CHROME WIRE	
ANGLES ±		SIZE	FSCM NO
MATERIAL	CRS	<b>B</b>	00779
	0.81 [.032]	SCALE	NTS
FINISH	NICKEL	DRAWING NO	63390
		SHEET	1 OF 2

**METRIC**

THIS DRAWING IS UNPUBLISHED. RELEASED FOR PUBLICATION  
 © COPYRIGHT 19 BY AMP INCORPORATED, HARRISBURG, PA. ALL INTERNATIONAL RIGHTS RESERVED. AMP PRODUCTS MAY BE COVERED BY U.S. AND FOREIGN PATENTS AND/OR PATENTS PENDING.

LOC	DIST	P	F	ZONE	LTR	REVISIONS	DATE	APPROVED
AF	50				D	REV PER 0370-93	0/27/03	JR / GY



SHT 2 OF 2  
63390

63390-1  
PART NO

UNLESS OTHERWISE SPECIFIED DIMENSIONS ARE IN INCHES - TOLERANCES ON : 2 PL DEC ± 3 PL DEC ± 0.38 [015] ANGLES ±	DR 5/9/86 JR RUTH	AMP INCORPORATED Harrisburg, Pa. 17105	
	CHK 5/20/86 G YETTER		
MATERIAL	APPD 5/20/86 J GILLESPIE	NAME .312 SERIES TAB FOR NI-CHROME WIRE	
0.81 [032] STEEL	APPD 5/20/86 R KUZO	SIZE <b>C</b>	FSCM NO 00779
FINISH NICKEL	APPLICATION SPEC 114-2097	DRAWING NO 63390	SCALE NTS
	WEIGHT	SHEET 20F2	

**METRIC**