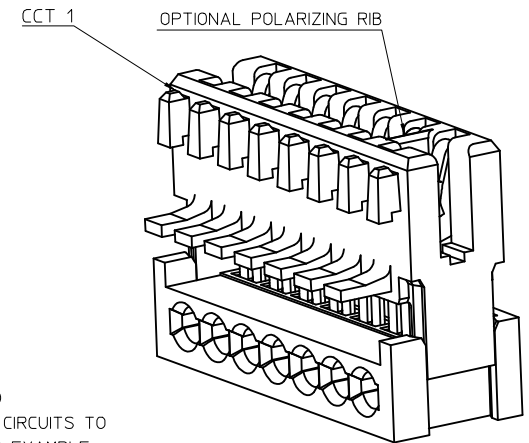
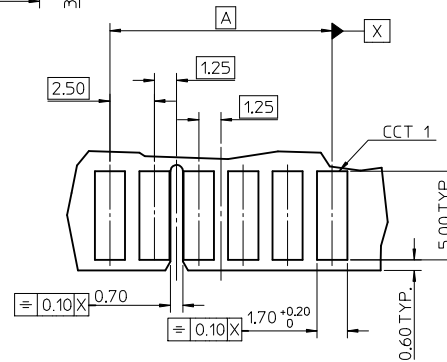
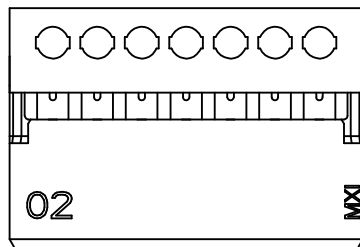
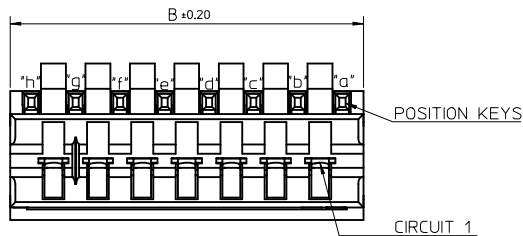


CCT	*A*	*B*
3	5.0	9.875
4	7.5	12.375
5	10.0	14.875
6	12.5	17.375
7	15.0	19.875
8	17.5	22.375
9	20.0	24.875
10	22.5	27.375
11	25.0	29.875
12	27.5	32.375
13	30.0	34.875
14	32.5	37.375
15	35.0	39.875
16	37.5	42.375
17	40.0	44.875
18	42.5	47.375
19	45.0	49.875
20	47.5	52.375



- PCB LAYOUT FOR 6CCT CONNECTOR (WITH OPTIONAL POSITIONAL RIB SLOT BETWEEN CCT 4 & CCT 5)
- THE POSITIONAL RIB SLOT CAN BE PLACED BETWEEN ANY TWO CIRCUITS TO SUIT MATING CONNECTOR. ABOVE SKETCH SHOWS A PARTICULAR EXAMPLE
- RECOMMENDED PCB THICKNESS 1.5±0.14mm

NOTES:

- REFER TO PRODUCT SPECIFICATION: PS-92336-001
- MATERIAL: HOUSING - PA 6, UL94-V2, COLOUR: NATURAL (WHITE) TERMINAL: COPPER ALLOY 0.25 REF. THICK PLATING - Sn
- COLOUR STRIPE IS OPTIONAL, AVAILABLE IN THE FOLLOWING COLOURS: RED, GREEN, BLUE & BLACK (BLACK SPECIFIES CUSTOMER SPECIFIC CONFIGURATION)
- REFER TO PACKAGING SPECIFICATION: PK-90871-001
- REFER TO APPLICATION SPECIFICATION: AS-99033-0008)

ADDED NEW PART NUMBERS EC NO: IFC2014-1184 DRAWN: MONAHAN 2014/01/07 CHKD: CHIKO APPR: MSHANAHAN 2014/09/10	QUALITY SYMBOLS ▽=0 ▽=0	GENERAL TOLERANCES (UNLESS SPECIFIED) mm INCH 4 PLACES ± --- ± --- 3 PLACES ± 0.05 ± --- 2 PLACES ± 0.10 ± --- 1 PLACE ± 0.20 ± --- ANGULAR ± 1/2°	DIMENSION STYLE MM ONLY DRAWN BY: T. TOURISH DATE: 2007/09/21 CHECKED BY: BRUTTLE DATE: 2007/09/21 APPROVED BY: JWALLACE DATE: 2012/01/19 MATERIAL NO.	SCALE: 5:1 DESIGN UNITS: METRIC THIRD ANGLE PROJECTION	TITLE: R 2.5 SIGNAL ASSY
	DRAFT WHERE APPLICABLE MUST REMAIN WITHIN DIMENSIONS	SEE SHEETS 2-8	MOLEX INCORPORATED DOCUMENT NO. SD-92336-001	SHEET NO. 1 OF 8	
	THIS DRAWING CONTAINS INFORMATION THAT IS PROPRIETARY TO MOLEX INCORPORATED AND SHOULD NOT BE USED WITHOUT WRITTEN PERMISSION				
	SIZE A 2				

3 CIRCUIT

MOLEX PART NO.	MOLEX HOUSING NO.	TERMINAL VOID POSITION	REMOVED POSITION KEYS	CONFIGURATION (SEE NOTES)	POLARIZING RIB	COLOUR STRIPE
92336-0001	92335-0003	NONE	NONE		NONE	NONE
92336-0002	92335-0003	NONE	a d		NONE	RED
92336-0013	92335-0003	NONE	a		NONE	NONE
92336-0014	92335-0003	NONE	b		NONE	NONE
92336-0015	92335-0003	NONE	c		NONE	NONE
92336-0016	92335-0003	NONE	d		NONE	NONE
92336-0017	92335-0003	NONE	b d		NONE	NONE
92336-0018	92335-0003	NONE	a c		NONE	NONE
92336-0019	92335-0003	NONE	a d		NONE	NONE
92336-0020	92335-0003	NONE	a b		NONE	NONE
92336-0021	92335-0003	NONE	b c		NONE	NONE
92336-0022	92335-0003	NONE	c d		NONE	NONE
92336-0023	92335-0003	CKT 2	b d		NONE	NONE
92336-0024	92335-0003	CKT 3	c		NONE	BLUE
92336-0034	92335-0103	NONE	NONE		BETWEEN CKT 1&2	NONE
92336-0041	92335-0203	NONE	NONE		BETWEEN CKT 2&3	NONE
92336-0042	92335-0003	CKT 1	NONE		NONE	NONE
92336-0043	92335-0003	CKT 1	c		NONE	NONE
92336-0044	92335-0003	NONE	b d		NONE	BLUE
92336-0045	92335-0003	NONE	b		NONE	BLUE
92336-0046	92335-0003	CKT 1	d		NONE	NONE
92336-0047	92335-0203	NONE	a d		BETWEEN CKT 2&3	BLUE

3 CIRCUIT

MOLEX PART NO.	MOLEX HOUSING NO.	TERMINAL VOID POSITION	REMOVED POSITION KEYS	CONFIGURATION (SEE NOTES)	POLARIZING RIB	COLOUR STRIPE
92336-0048	92335-0003	NONE	NONE		NONE	BLUE
92336-0049	92335-0203	NONE	a d		BETWEEN CKT 2&3	NONE
92336-0050	92335-0103	NONE	a d		BETWEEN CKT 1&2	NONE
92336-0051	92335-0003	CKT 3	NONE		NONE	NONE
92336-0052	92335-0203	CKT 1	NONE		BETWEEN CKT 2&3	NONE
92336-0053	92335-0003	CKT 2	NONE		NONE	NONE
92336-0054	92335-0003	NONE	ALL		NONE	NONE

- NOTES
- + DENOTES TERMINAL VOIDED POSITION
● DENOTES TERMINAL LOADED POSITION
I DENOTES POLARIZING RIB POSITION
 - HOUSING NUMBER FOR MOLEX REFERENCE ONLY

SEE SHEET 1 ELEC NO: 1P02014-1184 DRAWN BY: DRWINCKOMAHAN CHKD: APPR: SHAWHAN 2014/01/07 2014/09/10	QUALITY SYMBOLS	GENERAL TOLERANCES (UNLESS SPECIFIED)	DIMENSION STYLE	SCALE	DESIGN UNITS	THIRD ANGLE PROJECTION	
	▽=0	mm INCH	MM ONLY	1:1	METRIC		
	▽=0	4 PLACES ± --- ± --- 3 PLACES ± 0.05 ± --- 2 PLACES ± 0.10 ± --- 1 PLACE ± 0.20 ± ---	DRAWN BY DATE TTOURISH 2007/09/21	CHECKED BY DATE BRUTTLE 2007/09/21	TITLE R 2.5 SIGNAL ASSY		
		ANGULAR ± 1/2°	APPROVED BY DATE JWALLACE 2012/01/19	MATERIAL NO. DOCUMENT NO. SD-92336-001			
DRAFT WHERE APPLICABLE MUST REMAIN WITHIN DIMENSIONS		SEE CHARTS		MATERIAL NO. DOCUMENT NO. SD-92336-001			
THIS DRAWING CONTAINS INFORMATION THAT IS PROPRIETARY TO MOLEX INCORPORATED AND SHOULD NOT BE USED WITHOUT WRITTEN PERMISSION							

4 CIRCUIT

MOLEX PART NO.	MOLEX HOUSING NO.	TERMINAL VOID POSITION	REMOVED POSITION KEYS	CONFIGURATION (SEE NOTES)	POLARIZING RIB	COLOUR STRIPE
92336-0501	92335-0004	NONE	NONE		NONE	NONE
92336-0502	92335-0004	NONE	d		NONE	NONE
92336-0503	92335-0004	NONE	a d		NONE	NONE
92336-0504	92335-0004	NONE	c e		NONE	NONE
92336-0505	92335-0004	NONE	a		NONE	NONE
92336-0506	92335-0204	NONE	NONE		BETWEEN CKT 2&3	NONE
92336-0538	92335-0004	NONE	b		NONE	NONE
92336-0530	92335-0004	NONE	b c		NONE	NONE
92336-0539	92335-0004	NONE	a b		NONE	NONE
92336-0540	92335-0004	NONE	d e		NONE	NONE
92336-0541	92335-0004	NONE	ALL		NONE	NONE
92336-0542	92335-0004	NONE	a b e		NONE	NONE
92336-0547	92335-0004	NONE	b c		NONE	GREEN
92336-0548	92335-0004	NONE	c d		NONE	RED
92336-0549	92335-0004	NONE	a c e		NONE	NONE
92336-0507	92335-0004	CKT 1	NONE		NONE	NONE
92336-0543	92335-0304	NONE	NONE		BETWEEN CKT 3&4	RED
92336-0544	92335-0204	NONE	NONE		BETWEEN CKT 2&3	BLUE
92336-0545	92335-0004	NONE	d		NONE	BLUE
92336-0546	92335-0004	NONE	b		NONE	RED
92336-0551	92335-0204	NONE	a e		BETWEEN CKT 2&3	BLUE
92336-0552	92335-0004	NONE	b c d		NONE	NONE
92336-0553	92335-0304	NONE	NONE		BETWEEN CKT 3&4	NONE
92336-0554	92335-0104	NONE	NONE		BETWEEN CKT 1&2	NONE

4 CIRCUIT

MOLEX PART NO.	MOLEX HOUSING NO.	TERMINAL VOID POSITION	REMOVED POSITION KEYS	CONFIGURATION (SEE NOTES)	POLARIZING RIB	COLOUR STRIPE
92336-0555	92335-0004	CCT3	a b e		NONE	RED

- NOTES
- + DENOTES TERMINAL VOIDED POSITION
 ● DENOTES TERMINAL LOADED POSITION
 | DENOTES POLARIZING RIB POSITION
 - HOUSING NUMBER FOR MOLEX REFERENCE ONLY

SEE SHEET 1 ELEC NO: 1P62014-1184 DRAWN BY: DRWINKONWAHAN CHKD: APPR: SHAMAHAN DATE: 2014/01/07 2014/09/10	QUALITY SYMBOLS	GENERAL TOLERANCES (UNLESS SPECIFIED)	DIMENSION STYLE	SCALE	DESIGN UNITS	THIRD ANGLE PROJECTION	
	▽=0	mm INCH	MM ONLY	1:1	METRIC		
	▽=0	4 PLACES ± --- ± --- 3 PLACES ± 0.05 ± --- 2 PLACES ± 0.10 ± --- 1 PLACE ± 0.20 ± --- ANGULAR ± 1/2°	DRAWN BY DATE T. TOURISH 2007/09/21	CHECKED BY DATE BRUTTLE 2007/09/21	TITLE R 2.5 SIGNAL ASSY		
	DRAFT WHERE APPLICABLE MUST REMAIN WITHIN DIMENSIONS	APPROVED BY DATE J. WALLACE 2012/01/19	MATERIAL NO.		DOCUMENT NO.		SHEET NO.
		SEE CHARTS		SD-92336-001		3 OF 8	
THIS DRAWING CONTAINS INFORMATION THAT IS PROPRIETARY TO MOLEX INCORPORATED AND SHOULD NOT BE USED WITHOUT WRITTEN PERMISSION							

5 CIRCUIT

MOLEX PART NO.	MOLEX HOUSING NO.	TERMINAL VOID POSITION	REMOVED POSITION KEYS	CONFIGURATION (SEE NOTES)	POLARIZING RIB	COLOUR STRIPE	SIDE LATCH
92336-1001	92335-0005	NONE	NONE		NONE	NONE	NO
92336-1002	92335-0305	NONE	ALL		BETWEEN CKT 3&4	NONE	NO
92336-1003	92335-0405	NONE	NONE		BETWEEN CKT 4&5	NONE	NO
92336-1004	92335-0005	NONE	c d		NONE	NONE	NO
92336-1005	92335-0005	NONE	a		NONE	NONE	NO
92336-1006	92335-0005	NONE	b		NONE	NONE	NO
92336-1007	92335-0005	NONE	a b e f		NONE	NONE	NO
92336-1008	92335-0205	NONE	NONE		BETWEEN CKT 2&3	NONE	NO
92336-1009	92335-0005	CCT 2, 3 & 4	NONE		NONE	NONE	NO
92336-1010	92335-0005	CCT 2	c		NONE	NONE	NO
92336-1011	92335-0005	CCT 2	d		NONE	NONE	NO
92336-1012	92335-0005	CCT 2	b		NONE	NONE	NO
92336-1013	92335-0005	CCT 2	a		NONE	NONE	NO
92336-1014	92335-0005	NONE	b, c, d, e		NONE	NONE	NO
92336-1015	92335-0305	CCT 2, 3 & 4	NONE		BETWEEN CKT 3&4	RED	NO
92336-1016	92335-0105	NONE	a f		BETWEEN CKT 1&2	BLUE	NO
92336-1017	92335-0105	CCT 3	a f		BETWEEN CKT 1&2	BLUE	NO
92336-1018	92335-0205	NONE	a f		BETWEEN CKT 2&3	NONE	NO
92336-1019	92335-0005	NONE	a f		NONE	NONE	NO
92336-1020	92335-0005	CCT 2, 4	NONE		NONE	NONE	NO
92336-1021	92335-0005	NONE	ALL		NONE	NONE	NO
92336-1023	92335-0105	NONE	NONE		BETWEEN CKT 1&2	NONE	NO
92336-1024	92335-0005	NONE	c d e		NONE	NONE	NO
92336-1025	92335-0005	CCT 1, 2 & 4	NONE		NONE	NONE	NO

NOTES

- + DENOTES TERMINAL VOIDED POSITION
 ● DENOTES TERMINAL LOADED POSITION
 | DENOTES POLARIZING RIB POSITION
- HOUSING NUMBER FOR MOLEX REFERENCE ONLY

5 CIRCUIT

MOLEX PART NO.	MOLEX HOUSING NO.	TERMINAL VOID POSITION	REMOVED POSITION KEYS	CONFIGURATION (SEE NOTES)	POLARIZING RIB	COLOUR STRIPE	SIDE LATCH
92336-1026	92335-0305	NONE	NONE		BETWEEN CKT 3&4	BLUE	NO
92336-1027	92335-0005	CCT 5	a b e f		NONE	NONE	NO
92336-1028	92335-0205	NONE	a b e f		BETWEEN CKT 2&3	NONE	NO
92336-1029	92335-0005	CCT 2,3,4	c f		NONE	NONE	NO

SEE SHEET 1 ELC NO: IP02014-1184 DRAWN BY: KIRANKUMARAN CHKD: APPR: SHAMAHAN 2014/01/07 2014/09/10	QUALITY SYMBOLS ▽=0 ▽=0 ▽=0	GENERAL TOLERANCES (UNLESS SPECIFIED)		DIMENSION STYLE MM ONLY		SCALE 1:1	DESIGN UNITS METRIC	THIRD ANGLE PROJECTION		
		4 PLACES ± --- ± ---	3 PLACES ± 0.05 ± ---	2 PLACES ± 0.10 ± ---	1 PLACE ± 0.20 ± ---	ANGULAR ± 1/2°	DRAFT WHERE APPLICABLE MUST REMAIN WITHIN DIMENSIONS	DRAWN BY: ITOURISH DATE: 2007/09/21	CHECKED BY: BRUTTLE DATE: 2007/09/21	APPROVED BY: J WALLACE DATE: 2012/01/19
		SEE CHARTS			MOLEX INCORPORATED			DOCUMENT NO. SD-92336-001		SHEET NO. 4 OF 8
		THIS DRAWING CONTAINS INFORMATION THAT IS PROPRIETARY TO MOLEX INCORPORATED AND SHOULD NOT BE USED WITHOUT WRITTEN PERMISSION								

6 CIRCUIT

MOLEX PART NO.	MOLEX HOUSING NO.	TERMINAL VOID POSITION	REMOVED POSITION KEYS	CONFIGURATION (SEE NOTES)	POLARIZING RIB	COLOUR STRIPE
92336-1501	92335-0006	NONE	NONE		NONE	NONE
92336-1502	92335-0306	NONE	ALL		BETWEEN CKT 3&4	NONE
92336-1503	92335-0006	NONE	c e f g		NONE	NONE
92336-1504	92335-0206	NONE	ALL		BETWEEN CKT 2&3	NONE
92336-1505	92335-0006	CKT 2 & 3	d f		NONE	NONE
92336-1506	92335-0006	NONE	a b f g		NONE	NONE
92336-1507	92335-0006	NONE	e f		NONE	NONE
92336-1509	92335-0006	NONE	g		NONE	NONE
92336-1510	92335-0006	CKT 2	c f		NONE	NONE
92336-1511	92335-0006	CKT 2&5	NONE		NONE	NONE
92336-1512	92335-0006	CKT 3&5	NONE		NONE	NONE
92336-1513	92335-0006	CKT 2&4	b d e f		NONE	NONE
92336-1514	92335-0106	CKT 3&5	NONE		BETWEEN CKT 1&2	NONE
92336-1515	92335-0206	CKT 2&5	NONE		BETWEEN CKT 2&3	NONE
92336-1516	92335-0306	NONE	c f		BETWEEN CKT 3&4	NONE
92336-1517	92335-0006	NONE	c e		NONE	NONE
92336-1518	92335-0006	CKT 2&4	NONE		NONE	NONE
92336-1519	92335-0006	NONE	a c e		NONE	NONE
92336-1520	92335-0006	CKT 5	c e		NONE	NONE
92336-1521	92335-0006	CKT 2,4,5&6	c e		NONE	NONE
92336-1522	92335-0006	CKT 2&6	c e		NONE	NONE
92336-1523	92335-0406	NONE	NONE		BETWEEN CKT 4&5	NONE
92236-1524	92335-0006	CKT 2,4,5&6	NONE		NONE	NONE
92336-1525	92335-0006	CKT 2&6	NONE		NONE	NONE

6 CIRCUIT (cont'd)

MOLEX PART NO.	MOLEX HOUSING NO.	TERMINAL VOID POSITION	REMOVED POSITION KEYS	CONFIGURATION (SEE NOTES)	POLARIZING RIB	COLOUR STRIPE	SIDE LATCH
92336-1527	92335-0006	CKT 2&5	c e		NONE	NONE	NO
92336-1528	92335-0006	CKT 2&5	a, b, d, f, g		NONE	GREEN	NO
92336-1529	92335-0006	NONE	d		NONE	NONE	NO
92336-1531	92335-0006	CKT 1,2,3&5	NONE		NONE	NONE	NO
92336-1532	92335-0006	CKT 1,2,3&5	d, f		NONE	NONE	NO
92336-1534	92335-0006	CKT 3&4	b, d, f.		NONE	NONE	NO
92336-1535	92335-0006	CKT 4&5	b, d, f.		NONE	NONE	NO
92336-1536	92335-0206	NONE	NONE		BETWEEN CKT 2&3	NONE	NO
92336-1537	92335-0006	NONE	d		NONE	BLUE	NO
92336-1538	92335-0406	CKT 3&5	a e f g		BETWEEN CKT 4&5	NONE	NO
92336-1539	92335-0306	CKT 2&5	a		BETWEEN CKT 3&4	RED	NO
92336-1540	92335-0006	CKT 2&5	NONE		NONE	RED	NO
92336-1541	92335-0006	NONE	a c e g		NONE	NONE	NO
92336-1542	92335-0006	NONE	c d		NONE	NONE	NO
92336-1543	92340-0006	NONE	a g		NONE	NONE	YES
92336-1544	92340-0406	CKT 3&5	a g		BETWEEN CKT 4&5	GREEN	YES
92336-1545	92335-0406	CKT 3&5	NONE		BETWEEN CKT 4&5	GREEN	NO
92336-1546	92335-0006	CKT 3&5	NONE		NONE	BLUE	NO
92336-1547	92335-0006	CKT 1,2,3&4	NONE		NONE	NONE	NO
92336-1548	92335-0306	NONE	a b g		BETWEEN CKT 3&4	BLUE	NO

NOTES

- + DENOTES TERMINAL VOIDED POSITION
 ● DENOTES TERMINAL LOADED POSITION
 | DENOTES POLARIZING RIB POSITION
- HOUSING NUMBER FOR MOLEX REFERENCE ONLY

SEE SHEET 1 EC NO: IP2014-184 DR: DRINKKONHAN CHKD: APPR: SHAMHAN 2014/09/10	QUALITY SYMBOLS ∇=0 ∇=0	GENERAL TOLERANCES (UNLESS SPECIFIED)		DIMENSION STYLE MM ONLY		SCALE 1:1	DESIGN UNITS METRIC	THIRD ANGLE PROJECTION	
		4 PLACES ± --- ± --- 3 PLACES ± 0.05 ± --- 2 PLACES ± 0.10 ± --- 1 PLACE ± 0.20 ± ---	mm INCH	DRAWN BY DATE T T O U R I S H 2007/09/21		TITLE R 2.5 SIGNAL ASSY			
		ANGULAR ±1/2°		CHECKED BY DATE B R U T T L E 2007/09/21		APPROVED BY DATE J W A L L A C E 2012/01/19			
		DRAFT WHERE APPLICABLE MUST REMAIN WITHIN DIMENSIONS		SEE CHARTS		MATERIAL NO. SD-92336-001		DOCUMENT NO.	

THIS DRAWING CONTAINS INFORMATION THAT IS PROPRIETARY TO MOLEX INCORPORATED AND SHOULD NOT BE USED WITHOUT WRITTEN PERMISSION

7 CIRCUIT						
MOLEX PART NO.	MOLEX HOUSING NO.	TERMINAL VOID POSITION	REMOVED POSITION KEYS	CONFIGURATION (SEE NOTES)	POLARIZING RIB	COLOUR STRIPE
92336-2001	92335-0007	NONE	NONE		NONE	NONE
92336-2002	92335-0207	NONE	ALL		BETWEEN CKT 2&3	NONE
92336-2004	92335-0007	NONE	a		NONE	NONE
92336-2005	92335-0007	CKT 2	h		NONE	NONE
92336-2006	92335-0007	CKT 4	a		NONE	NONE
92336-2007	92335-0007	CKT 2	NONE		NONE	NONE
92336-2008	92335-0007	CKT 6	NONE		NONE	NONE
92336-2009	92335-0007	CKT 2	b c e g		NONE	BLUE
92336-2010	92335-0007	CKT 4&6	b d f		NONE	RED
92336-2011	92335-0007	CKT 4&6	b d f		NONE	BLUE
92336-2012	92335-0007	CKT 2	NONE		NONE	BLUE
92336-2013	92335-0007	CKT 2	b d e f h		NONE	BLUE
92336-2014	92335-0007	CKT 4&6	NONE		NONE	BLUE
92336-2015	92335-0007	CKT 4&6	c d e f h		NONE	BLUE
92336-2016	92335-0007	CKT 6	c d e f h		NONE	BLUE
92336-2017	92335-0007	CKT 6	c d e f		NONE	BLUE
92336-2018	92335-0007	CKT 6	NONE		NONE	BLUE
92336-2019	92335-0007	CKT 2	NONE		NONE	BLACK
92336-2020	92335-0207	NONE	NONE		BETWEEN CKT 2&3	BLUE
92336-2021	92335-0207	CKT 1,2	NONE		BETWEEN CKT 2&3	BLUE

8 CIRCUIT						
MOLEX PART NO.	MOLEX HOUSING NO.	TERMINAL VOID POSITION	REMOVED POSITION KEYS	CONFIGURATION (SEE NOTES)	POLARIZING RIB	COLOUR STRIPE
92336-2501	92335-0008	NONE	NONE		NONE	NONE
92336-2502	92335-0308	NONE	NONE		BETWEEN CKT 3&4	NONE
92336-2503	92335-0008	NONE	c f h i		NONE	NONE
92336-2504	92335-0008	NONE	b c d h i		NONE	NONE
92336-2505	92335-0008	NONE	b c g h		NONE	BLUE
92336-2506	92335-0008	NONE	c f		NONE	NONE
92336-2507	92335-0008	NONE	c f h i		NONE	BLUE
92336-2508	92335-0008	NONE	NONE		NONE	BLUE
92336-2509	92335-0008	NONE	a c d e g i		NONE	BLUE
92336-2510	92335-0008	NONE	c d e f		NONE	BLUE
92336-2511	92335-0008	NONE	NONE		NONE	BLACK
92336-2512	92335-0008	NONE	c f h i		NONE	BLACK
92336-2513	92335-0008	NONE	c d g h		NONE	NONE
92336-2514	92335-0008	NONE	a c d e f g h i		NONE	BLUE
92336-2515	92335-0208	NONE	ALL		BETWEEN CKT 2&3	NONE
92336-2516	92335-0508	NONE	ALL		BETWEEN CKT 5&6	NONE

NOTES

- + DENOTES TERMINAL VOIDED POSITION
 - ⊕ DENOTES TERMINAL LOADED POSITION
 - | DENOTES POLARIZING RIB POSITION
- HOUSING NUMBER FOR MOLEX REFERENCE ONLY

SEE SHEET 1 EC NO: IPG2014-1184 LEL: DRINKKONWAN CHKD: APPR:SHAMHAN 2014/09/10	QUALITY SYMBOLS ▽=0 ▽=0	GENERAL TOLERANCES (UNLESS SPECIFIED) mm INCH 4 PLACES ± --- ± --- 3 PLACES ± 0.05 ± --- 2 PLACES ± 0.10 ± --- 1 PLACE ± 0.20 ± --- ANGULAR ±1/2°	DIMENSION STYLE MM ONLY	SCALE 1:1	DESIGN UNITS METRIC	THIRD ANGLE PROJECTION	
	DRAWN BY ITOURISH	DATE 2007/09/21	CHECKED BY BRUTTLE	DATE 2007/09/21	APPROVED BY JWALLACE	DATE 2012/01/19	TITLE R 2.5 SIGNAL ASSY
	DRAFT WHERE APPLICABLE MUST REMAIN WITHIN DIMENSIONS			MATERIAL NO. SEE CHARTS	DOCUMENT NO. SD-92336-001	SHEET NO. 6 OF 8	MOLEX INCORPORATED
	THIS DRAWING CONTAINS INFORMATION THAT IS PROPRIETARY TO MOLEX INCORPORATED AND SHOULD NOT BE USED WITHOUT WRITTEN PERMISSION						

9 CIRCUIT								
MOLEX PART NO.	MOLEX HOUSING NO.	TERMINAL VOID POSITION	REMOVED POSITION KEYS	CONFIGURATION (SEE NOTES)	POLARIZING RIB	COLOUR STRIPE	SIDE LATCH	
92336-3001	92335-0009	NONE	NONE		NONE	NONE	NO	
92336-3002	92335-0409	NONE	NONE		BETWEEN CKT 4&5	NONE	NO	
92336-3003	92335-0009	CKT 2,5&8	NONE		NONE	NONE	NO	
92336-3004	92335-0209	NONE	NONE		BETWEEN CKT 2&3	NONE	NO	
92336-3005	92335-0009	CKT 2,5&8	b c e g i j		NONE	GREEN	NO	
92336-3006	92335-0009	CKT 2,5&8	NONE		NONE	GREEN	NO	
92336-3007	92335-0009	CKT 2,5&8	b c e f g i j		NONE	GREEN	NO	
92336-3008	92335-0009	CKT 2,5&8	b c e f g i		NONE	GREEN	NO	
92336-3009	92335-0009	CKT 2,5&7	c g		NONE	NONE	NO	
92336-3010	92335-0009	CKT 3,5&8	NONE		NONE	NONE	NO	
92336-3011	92335-0009	CKT 3,5&8	c d g h		NONE	NONE	NO	
92336-3012	92335-0009	CKT 3,5&8	NONE		NONE	BLUE	NO	
92336-3013	92340-0209	CKT 2,4&6	a j		BETWEEN CKT 2&3	BLACK	YES	
92336-3014 PART NUMBER OBSOLETE (NO GREY STRIPE AVAILABLE)								
92336-3015	92335-0009	CKT 3,5&8	c d e i j		NONE	BLUE	NO	
92336-3017	92335-0209	CKT 2,4&6	NONE		BETWEEN CKT 2&3	BLACK	NO	

10 CIRCUIT							
MOLEX PART NO.	MOLEX HOUSING NO.	TERMINAL VOID POSITION	REMOVED POSITION KEYS	CONFIGURATION (SEE NOTES)	POLARIZING RIB	COLOUR STRIPE	
92336-3501	92335-0010	NONE	NONE		NONE	NONE	
92336-3502	92335-0210	NONE	ALL		BETWEEN CKT 2&3	NONE	
92336-3503	92335-0010	CKT 2,5,7&8	NONE		NONE	NONE	
92336-3504	92335-0410	NONE	NONE		BETWEEN CKT 4&5	NONE	
92336-3505	92335-0010	CKT 2,9	NONE		NONE	BLUE	
92336-3506	92335-0010	CKT 2,4,6&8	NONE		NONE	NONE	

- NOTES**
- + DENOTES TERMINAL VOIDED POSITION
● DENOTES TERMINAL LOADED POSITION
| DENOTES POLARIZING RIB POSITION
 - HOUSING NUMBER FOR MOLEX REFERENCE ONLY

SEE SHEET 1 ELEC NO: IPG2014-1184 DRAWN BY: DRWINCKONAHAN CHKD: APPR: SHAMAHAN 2014/01/07 2014/09/10	QUALITY SYMBOLS ▽=0 ▽=0	GENERAL TOLERANCES (UNLESS SPECIFIED) mm INCH 4 PLACES ± --- ± --- 3 PLACES ± 0.05 ± --- 2 PLACES ± 0.10 ± --- 1 PLACE ± 0.20 ± --- ANGULAR ± 1/2°	DIMENSION STYLE MM ONLY DRAWN BY DATE T. TOURISH 2007/09/21 CHECKED BY DATE BRUTTLE 2007/09/21 APPROVED BY DATE J. WALLACE 2012/01/19	SCALE 1:1 DESIGN UNITS METRIC	THIRD ANGLE PROJECTION
	TITLE R 2.5 SIGNAL ASSY				
	MATERIAL NO. SEE CHARTS DOCUMENT NO. SD-92336-001				
	DRAFT WHERE APPLICABLE MUST REMAIN WITHIN DIMENSIONS THIS DRAWING CONTAINS INFORMATION THAT IS PROPRIETARY TO MOLEX INCORPORATED AND SHOULD NOT BE USED WITHOUT WRITTEN PERMISSION				

11 CIRCUIT

MOLEX PART NO.	MOLEX HOUSING NO.	TERMINAL VOID POSITION	REMOVED POSITION KEYS	CONFIGURATION (SEE NOTES)	POLARIZING RIB	COLOUR STRIPE
92336-4001	92335-0011	NONE	NONE	nnnnnnnnnn ⊙⊙⊙⊙⊙⊙⊙⊙ 1 2 3 4 5 6 7 8 9 10 11	NONE	NONE
92336-4005	92335-0011	CKT 4,6,8,10	NONE	nnnnnnnnnn ⊙⊙⊙+⊙+⊙+⊙+⊙ 1 2 3 4 5 6 7 8 9 10 11	NONE	NONE

15 CIRCUIT

MOLEX PART NO.	MOLEX HOUSING NO.	TERMINAL VOID POSITION	REMOVED POSITION KEYS	CONFIGURATION (SEE NOTES)	POLARIZING RIB	COLOUR STRIPE
92336-6001	92335-0015	NONE	NONE	nnnnnnnnnn ⊙⊙⊙⊙⊙⊙⊙⊙⊙⊙ 1 2 3 4 5 6 7 8 9 10 11 12 13 14 15	NONE	NONE
92336-6002	92335-0015	CKT 4,6,8,10, 12 & 14	o p	nnnnnnnnnn ⊙⊙⊙+⊙+⊙+⊙+⊙ 1 2 3 4 5 6 7 8 9 10 11 12 13 14 15	NONE	NONE

12 CIRCUIT

MOLEX PART NO.	MOLEX HOUSING NO.	TERMINAL VOID POSITION	REMOVED POSITION KEYS	CONFIGURATION (SEE NOTES)	POLARIZING RIB	COLOUR STRIPE
92336-4501	92335-0012	NONE	NONE	nnnnnnnnnn ⊙⊙⊙⊙⊙⊙⊙⊙ 1 2 3 4 5 6 7 8 9 10 11 12	NONE	NONE
92336-4502	92335-0012	CKT 2,5,8&11	b c d e j k l	nnnnnnnnnn ⊙+⊙+⊙+⊙+⊙+⊙ 1 2 3 4 5 6 7 8 9 10 11 12	NONE	GREEN
92336-4503	92335-0012	CKT 2,5,8&11	NONE	nnnnnnnnnn ⊙+⊙+⊙+⊙+⊙+⊙ 1 2 3 4 5 6 7 8 9 10 11 12	NONE	GREEN
92336-4504	92335-0012	CKT 2,5,8&11	a c d e g h i k l m	nnnnnnnnnn ⊙+⊙+⊙+⊙+⊙+⊙ 1 2 3 4 5 6 7 8 9 10 11 12	NONE	GREEN
92336-4505	92335-0012	CKT 2,5,8&11	c d e g h i k l m	nnnnnnnnnn ⊙+⊙+⊙+⊙+⊙+⊙ 1 2 3 4 5 6 7 8 9 10 11 12	NONE	GREEN

16 CIRCUIT

MOLEX PART NO.	MOLEX HOUSING NO.	TERMINAL VOID POSITION	REMOVED POSITION KEYS	CONFIGURATION (SEE NOTES)	POLARIZING RIB	COLOUR STRIPE
92336-6501	92335-0016	NONE	NONE	nnnnnnnnnn ⊙⊙⊙⊙⊙⊙⊙⊙⊙ 1 2 3 4 5 6 7 8 9 10 11 12 13 14 15 16	NONE	NONE

17 CIRCUIT

MOLEX PART NO.	MOLEX HOUSING NO.	TERMINAL VOID POSITION	REMOVED POSITION KEYS	CONFIGURATION (SEE NOTES)	POLARIZING RIB	COLOUR STRIPE
92336-7001	92335-0017	NONE	NONE	nnnnnnnnnn ⊙⊙⊙⊙⊙⊙⊙⊙⊙ 1 2 3 4 5 6 7 8 9 10 11 12 13 14 15 16	NONE	NONE

13 CIRCUIT

MOLEX PART NO.	MOLEX HOUSING NO.	TERMINAL VOID POSITION	REMOVED POSITION KEYS	CONFIGURATION (SEE NOTES)	POLARIZING RIB	COLOUR STRIPE
92336-5001	92335-0013	NONE	NONE	nnnnnnnnnn ⊙⊙⊙⊙⊙⊙⊙⊙ 1 2 3 4 5 6 7 8 9 10 11 12 13	NONE	NONE
92336-5002	92335-0013	CKT 4,6,8,10 & 12	NONE	nnnnnnnnnn ⊙⊙⊙+⊙+⊙+⊙+⊙ 1 2 3 4 5 6 7 8 9 10 11 12 13	NONE	NONE
92336-5003	92335-0013	NONE	c, f, h, i, k, l	nnnnnnnnnn ⊙⊙⊙⊙⊙⊙⊙⊙ 1 2 3 4 5 6 7 8 9 10 11 12 13	NONE	NONE
92336-5004	92335-0213	NONE	a n	nnnnnnnnnn ⊙⊙⊙⊙⊙⊙⊙⊙ 1 2 3 4 5 6 7 8 9 10 11 12 13	CKT 2&3	NONE

18 CIRCUIT

MOLEX PART NO.	MOLEX HOUSING NO.	TERMINAL VOID POSITION	REMOVED POSITION KEYS	CONFIGURATION (SEE NOTES)	POLARIZING RIB	COLOUR STRIPE
92336-7501	92335-0018	NONE	NONE	nnnnnnnnnn ⊙⊙⊙⊙⊙⊙⊙⊙ 1 2 3 4 5 6 7 8 9 10 11 12 13 14 15 16 17 18	NONE	NONE

19 CIRCUIT

MOLEX PART NO.	MOLEX HOUSING NO.	TERMINAL VOID POSITION	REMOVED POSITION KEYS	CONFIGURATION (SEE NOTES)	POLARIZING RIB	COLOUR STRIPE
92336-8001	92335-0019	NONE	NONE	nnnnnnnnnn ⊙⊙⊙⊙⊙⊙⊙⊙ 1 2 3 4 5 6 7 8 9 10 11 12 13 14 15 16 17 18 19	NONE	NONE

14 CIRCUIT

MOLEX PART NO.	MOLEX HOUSING NO.	TERMINAL VOID POSITION	REMOVED POSITION KEYS	CONFIGURATION (SEE NOTES)	POLARIZING RIB	COLOUR STRIPE
92336-5501	92335-0014	NONE	NONE	nnnnnnnnnn ⊙⊙⊙⊙⊙⊙⊙⊙ 1 2 3 4 5 6 7 8 9 10 11 12 13 14	NONE	NONE

20 CIRCUIT

MOLEX PART NO.	MOLEX HOUSING NO.	TERMINAL VOID POSITION	REMOVED POSITION KEYS	CONFIGURATION (SEE NOTES)	POLARIZING RIB	COLOUR STRIPE
92336-8501	92335-0020	NONE	NONE	nnnnnnnnnn ⊙⊙⊙⊙⊙⊙⊙⊙ 1 2 3 4 5 6 7 8 9 10 11 12 13 14 15 16 17 18 19 20	NONE	NONE

NOTES
 1. + DENOTES TERMINAL VOIDED POSITION
 ⊙ DENOTES TERMINAL LOADED POSITION
 | DENOTES POLARIZING RIB POSITION
 2. HOUSING NUMBER FOR MOLEX REFERENCE ONLY

SEE SHEET 1 ELEC NO: IP2074-1184 DRAWN BY: DRINKONDHAN CHKD: APPR:MSHAMHAN 2014/09/10	QUALITY SYMBOLS ∇=0 ∇=0	GENERAL TOLERANCES (UNLESS SPECIFIED) mm INCH 4 PLACES ± --- ± --- 3 PLACES ± 0.05 ± --- 2 PLACES ± 0.10 ± --- 1 PLACE ± 0.20 ± --- ANGULAR ± 1/2°	DIMENSION STYLE MM ONLY DRAWN BY DATE T.OURISH 2007/09/21 CHECKED BY DATE BRUTTLE 2007/09/21 APPROVED BY DATE J.WALLACE 2012/01/19	SCALE 1:1 DESIGN UNITS METRIC THIRD ANGLE PROJECTION	TITLE R 2.5 SIGNAL ASSY	MATERIAL NO. SEE CHARTS	DOCUMENT NO. SD-92336-001	SHEET NO. 8 OF 8
	DRAFT WHERE APPLICABLE MUST REMAIN WITHIN DIMENSIONS							
	THIS DRAWING CONTAINS INFORMATION THAT IS PROPRIETARY TO MOLEX INCORPORATED AND SHOULD NOT BE USED WITHOUT WRITTEN PERMISSION							
	MOLEX INCORPORATED							

2 CIRCUIT

MOLEX PART NO.	MOLEX HOUSING NO.	REMOVED POSITION KEYS	CONFIGURATION (SEE NOTES)	POLARIZING RIB	COLOUR STRIPE
92338-0002	92335-0003	NONE		NONE	NONE
92338-0003	92335-0003	a		NONE	NONE
92338-0004	92335-0003	b		NONE	NONE
92338-0005	92335-0003	c		NONE	NONE
92338-0006	92335-0003	d		NONE	NONE
92338-0007	92335-0003	b d		NONE	NONE
92338-0008	92335-0003	a c		NONE	NONE
92338-0009	92335-0003	a d		NONE	NONE
92338-0010	92335-0003	a b		NONE	NONE
92338-0011	92335-0003	b c		NONE	NONE
92338-0012	92335-0003	c d		NONE	NONE
92338-0014	92335-0003	b c d		NONE	NONE
92338-0013	92335-0003	b c		NONE	RED
92338-0015	92335-0003	b c d		NONE	BLUE
92338-0016	92335-0003	c d		NONE	BLUE
92338-0017	92335-0203	NONE		BETWEEN H9G CKT 2&3	NONE
92338-0018	92335-0103	NONE		BETWEEN H9G CKT 1&2	NONE
92338-0019	92335-0003	NONE		NONE	BLUE
92338-0020	92335-0003	a c		NONE	BLUE
92338-0021	92335-0003	b c		NONE	GREEN
92338-0022	92335-0003	a d		NONE	GREEN
92338-0023	92335-0003	NONE		NONE	GREEN
92338-0024	92335-0103	d		BETWEEN H9G CKT 1&2	RED
92338-0025	92335-0103	a c		BETWEEN H9G CKT 1&2	RED

2 CIRCUIT (cont'd)

MOLEX PART NO.	MOLEX HOUSING NO.	REMOVED POSITION KEYS	CONFIGURATION (SEE NOTES)	POLARIZING RIB	COLOUR STRIPE
92338-0026	92335-0203	a		BETWEEN H9G CKT 2&3	NONE
92338-0027	92335-0203	NONE		BETWEEN H9G CKT 2&3	RED
92338-0028	92335-0003	a		NONE	RED
92338-0029	92335-0003	NONE		NONE	RED
92338-0030	92335-0103	b c d		BETWEEN H9G CKT 1&2	RED
92338-0031	92335-0203	a		BETWEEN H9G CKT 2&3	RED
92338-0032	92335-0003	b		NONE	RED
92338-0033	92335-0003	d		NONE	YELLOW
92338-0035	92335-0003	b d		NONE	GREEN
92338-0036	92335-0103	NONE		BETWEEN H9G CKT 1&2	RED
92338-0037	92335-0103	b d		BETWEEN H9G CKT 1&2	RED
92338-0038	92335-0203	a c		BETWEEN H9G CKT 2&3	NONE
92338-0039	92335-0003	a b d		NONE	NONE
92338-0040	92335-0003	a		NONE	BLUE
92338-0041	92335-0203	a d		BETWEEN H9G CKT 2&3	BLUE
92338-0042	92335-0003	d		NONE	BLUE
92338-0044	92335-0003	ALL		NONE	BLUE
92338-0045	92335-0103	a c d		BETWEEN H9G CKT 1&2	RED
92338-0046	92335-0103	a b d		BETWEEN H9G CKT 1&2	GREEN
92338-0047	92335-0203	a b d		BETWEEN H9G CKT 2&3	BLACK

NOTES

- + DENOTES TERMINAL VOIDED POSITION
 - ⊕ DENOTES TERMINAL LOADED POSITION
 - ! DENOTES POLARIZING RIB POSITION
- HOUSING NUMBER FOR MOLEX REFERENCE ONLY

3 CIRCUIT

MOLEX PART NO.	MOLEX HOUSING NO.	REMOVED POSITION KEYS	CONFIGURATION (SEE NOTES)	POLARIZING RIB	COLOUR STRIPE
92338-1001	92335-0005	NONE		NONE	NONE
92338-1002	92335-0005	b		NONE	NONE
92338-1003	92335-0005	c		NONE	NONE
92338-1004	92335-0005	c d e		NONE	NONE
92338-1005	92335-0405	NONE		BETWEEN H9G CKT 4&5	NONE
92338-1007	92335-0105	NONE		BETWEEN H9G CKT 1&2	NONE
92338-1008	92335-0005	d e f		NONE	RED
92338-1009	92335-0005	a b c		NONE	RED
92338-1010	92335-0005	a c d e		NONE	NONE
92338-1011	92335-0005	a c d e		NONE	BLUE
92338-1012	92335-0005	d e f		NONE	NONE

4 CIRCUIT

MOLEX PART NO.	MOLEX HOUSING NO.	REMOVED POSITION KEYS	CONFIGURATION (SEE NOTES)	POLARIZING RIB	COLOUR STRIPE
92338-2001	92335-0007	NONE		NONE	NONE
92338-2002	92335-0007	a		NONE	NONE
92338-2003	92335-0007	b		NONE	NONE
92338-2004	92335-0007	d f		NONE	NONE
92338-2005	92335-0007	a e g		NONE	RED
92338-2006	92335-0007	c e		NONE	NONE
92338-2007	92335-0007	NONE		NONE	BLUE

REMOVED DUPLICATE PART NOS ELEC NO: IPC2014-1185 DRAWN BY: DRWINCKONWAN CHKD: APPR:STRIFE IN DATE: 2014/01/16	QUALITY SYMBOLS ∇=0 ∇=0	GENERAL TOLERANCES (UNLESS SPECIFIED) mm INCH 4 PLACES ± --- ± --- 3 PLACES ± 0.05 ± --- 2 PLACES ± 0.10 ± --- 1 PLACE ± 0.20 ± --- ANGULAR ± 1/2°	DIMENSION STYLE MM ONLY	SCALE 1:1	DESIGN UNITS METRIC	THIRD ANGLE PROJECTION
	DRAWN BY: TOURISH CHECKED BY: BRUTTLE APPROVED BY: BMAGUIRE DATE: 08/10/23 DATE: 08/10/23 DATE: 2010/12/23	TITLE RAST 2.5 SIGNAL ASSY 5MM PITCH	MATERIAL NO. SEE CHARTS	DOCUMENT NO. SD-92338-001	SHEET NO. 2 OF 3	
	DRAFT WHERE APPLICABLE MUST REMAIN WITHIN DIMENSIONS					
	THIS DRAWING CONTAINS INFORMATION THAT IS PROPRIETARY TO MOLEX INCORPORATED AND SHOULD NOT BE USED WITHOUT WRITTEN PERMISSION					

5 CIRCUIT

MOLEX PART NO.	MOLEX HOUSING NO.	REMOVED POSITION KEYS	CONFIGURATION (SEE NOTES)	POLARIZING RIB	COLOUR STRIPE
92338-3001	92335-0009	NONE		NONE	NONE
92338-3002	92335-0009	b c g h i		NONE	GREEN

8 CIRCUIT

MOLEX PART NO.	MOLEX HOUSING NO.	REMOVED POSITION KEYS	CONFIGURATION (SEE NOTES)	POLARIZING RIB	COLOUR STRIPE
92338-6001	92335-0015	NONE		NONE	NONE

6 CIRCUIT

MOLEX PART NO.	MOLEX HOUSING NO.	REMOVED POSITION KEYS	CONFIGURATION (SEE NOTES)	POLARIZING RIB	COLOUR STRIPE
92338-4001	92335-0011	NONE		NONE	NONE
92338-4002	92335-0011	b c d e f g h i k		NONE	NONE
92338-4008	92335-0011	NONE		NONE	BLUE

9 CIRCUIT

MOLEX PART NO.	MOLEX HOUSING NO.	REMOVED POSITION KEYS	CONFIGURATION (SEE NOTES)	POLARIZING RIB	COLOUR STRIPE
92338-7001	92335-0017	NONE		NONE	NONE

10 CIRCUIT

MOLEX PART NO.	MOLEX HOUSING NO.	REMOVED POSITION KEYS	CONFIGURATION (SEE NOTES)	POLARIZING RIB	COLOUR STRIPE
92338-8001	92335-0019	NONE		NONE	NONE

7 CIRCUIT

MOLEX PART NO.	MOLEX HOUSING NO.	REMOVED POSITION KEYS	CONFIGURATION (SEE NOTES)	POLARIZING RIB	COLOUR STRIPE
92338-5001	92335-0013	a c e g i k m		NONE	NONE
92338-5002	92335-0013	NONE		NONE	BLUE

NOTES
 1. + DENOTES TERMINAL VOIDED POSITION
 ⊕ DENOTES TERMINAL LOADED POSITION
 † DENOTES POLARIZING RIB POSITION
 2. HOUSING NUMBER FOR MOLEX REFERENCE ONLY

SEE SHEET 1 EC NO: IPG2014-1185 DRAWN BY: DRWINCHONHAN CHKD: APPR: STRIFFEIN 2014/01/16	QUALITY SYMBOLS	GENERAL TOLERANCES (UNLESS SPECIFIED)	DIMENSION STYLE	SCALE	DESIGN UNITS	THIRD ANGLE PROJECTION	
	▽=0	mm INCH	MM ONLY	5:1	METRIC		
	▽=0	4 PLACES ± --- ± --- 3 PLACES ± 0.05 ± --- 2 PLACES ± 0.10 ± --- 1 PLACE ± 0.20 ± ---	DRAWN BY DATE TTOURISH 08/10/23 CHECKED BY DATE BRUTTLE 08/10/23 APPROVED BY DATE BMAGUIRE 2010/12/23	TITLE	RAST 2.5 SIGNAL ASSY 5MM PITCH		
		ANGULAR ±1/2°	DRAFT WHERE APPLICABLE MUST REMAIN WITHIN DIMENSIONS	SEE CHARTS	MATERIAL NO. SD-92338-001 DOCUMENT NO. SHEET NO. 3 OF 3		
THIS DRAWING CONTAINS INFORMATION THAT IS PROPRIETARY TO MOLEX INCORPORATED AND SHOULD NOT BE USED WITHOUT WRITTEN PERMISSION							