

Technical Data Sheet for Climatherm 400 Series

Air to Air TE Exchanger Standard Product



SPECIFICATIONS

Weight (kg)	5.5
Overtemp Thermostat	100°C ± 5°C (Both Sinks)
Operating Temp	-10°C to 60°C

PRODUCT FEATURES

- RoHS EU Compliant
- For information regarding additional ordering options available, please contact a Marlow engineering representative.

ORDERING OPTIONS

Model Number	Description
CTA400-0001-01	24V, Hot Side Wiring
CTA400-0001-02	24V, Cold Side Wiring
CTA400-0001-03	48V, Hot Side Wiring
CTA400-0001-04	48V, Cold Side Wiring
CTA400-0004-01	24V, Hot Side Wiring
CTA400-0004-02	24V, Cold Side Wiring
CTA400-0004-03	48V, Hot Side Wiring
CTA400-0004-04	48V, Cold Side Wiring

OPERATION CAUTIONS

For maximum reliability, storage and operation below 60°C in a non-condensing environment is recommended.

⚠ WARNING: THIS PRODUCT CAN EXPOSE YOU TO NICKEL, WHICH IS KNOWN TO THE STATE OF CALIFORNIA TO CAUSE CANCER. FOR MORE INFORMATION GO TO www.P65warnings/ca.gov

INSTALLATION

Recommended mounting methods: Attach through provided mounting holes with M5 hardware. Mounting template 489-1828 available.

II-VI Marlow – Dallas, TX USA
214-340-4900
877-627-5691
marlow.sales@ii-vi.com

Marlow Industries Europe
GmbH - Germany
+49 (0) 6150 5439 - 403
info@marlow-europe.eu

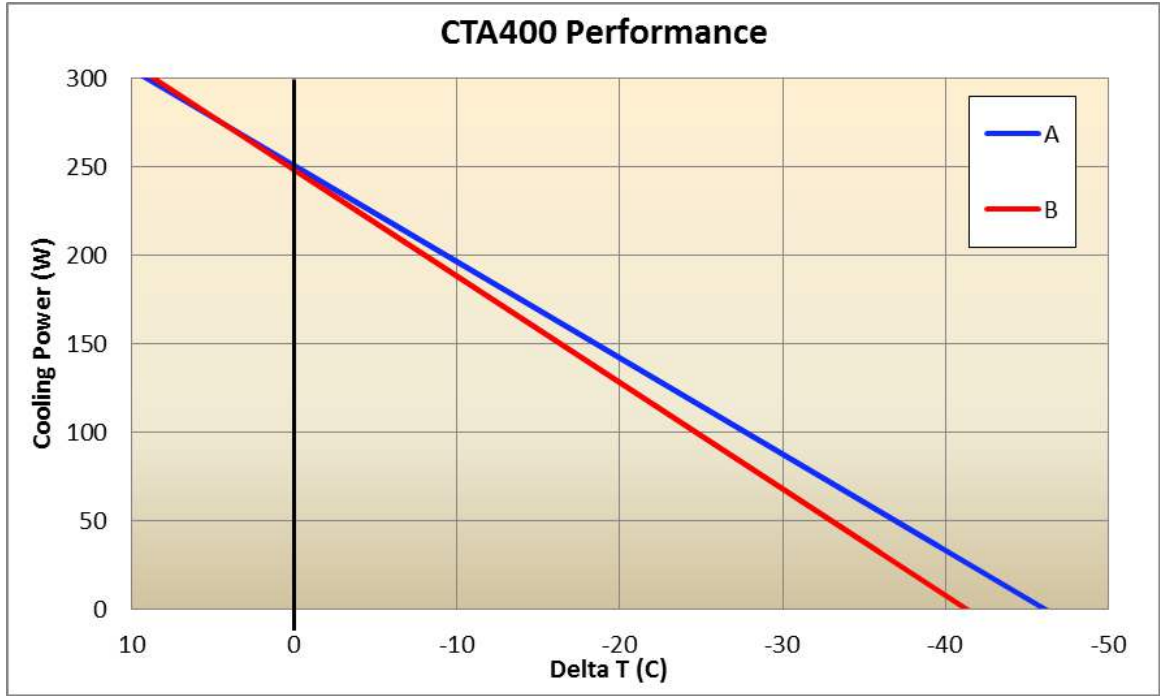
II-VI Japan Inc.
81 43 297 2693 (tel)
center@ii-vi.co.jp
www.ii-vi.co.jp

II-VI Singapore Pte., Ltd.
(65) 6481 8215 (tel)
info@ii-vi.com.sg

Marlow Industries China, II-VI
Technologies Beijing
86-10-643 98226
info@iivbj.com

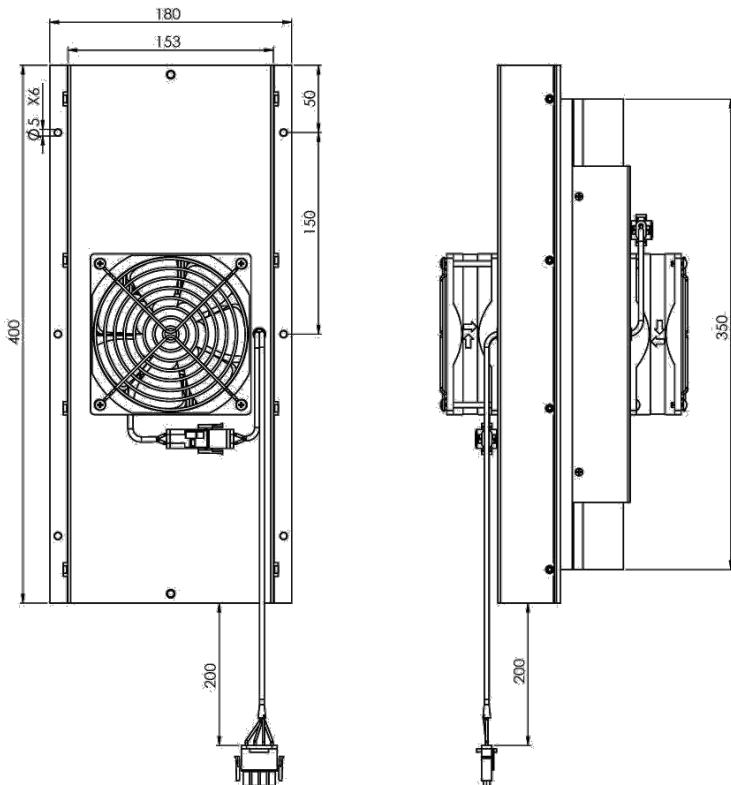


TYPICAL PERFORMANCE CURVES



For performance information, contact one of our Applications Engineers at 877-627-5691.

MECHANICAL CHARACTERISTICS



All units are in millimeters unless otherwise stated.

For customer support or general questions please contact a local office or visit our website at www.marlow.com.

Marlow reserves the right to make product changes without notice.

TYPICAL PERFORMANCE VALUES

Electrical Connections		
Color	PIN #	Description
White	1	TEC “+”
Blue	2	TEC “-”
Red	3	Fans “+”
Black	4	Fans “-”

Connectors	
Plug	Tyco P/N 480702-0
Socket	Tyco P/N 480703-0
PIN Plug	Tyco P/N 350547-1
PIN Socket	Tyco P/N 350550-1

	Voltage	Current	Cooling power @ 0 dT	COP	Performance Curve
	(nom/max)	(nom/max)	W		
CTA400-0001-XX	24/28	14/16	246	0.71	A
	48/56	7/8	246	0.71	A
CTA400-0004-XX	24/28	11/12	248	0.92	B
	48/56	5.6/6.5	248	0.92	B

IP55 RATED FANS