



HIGH DYNAMIC RANGE

# Monolithic Amplifier

## PGA-102+

Mini-Circuits

50Ω 0.05 to 6 GHz

### THE BIG DEAL

- 3.3V, 83mA operation
- High IP3, 33 dBm typ. at 2 GHz
- Gain, 14.0 dB typ. at 2 GHz
- P1dB 17.5 dBm typ. at 2 GHz
- Low noise figure, 2.4dB at 2 GHz
- No external matching components required



Generic photo used for illustration purposes only

CASE STYLE: DF782

#### +RoHS Compliant

The +Suffix identifies RoHS Compliance. See our web site for RoHS Compliance methodologies and qualifications

### APPLICATIONS

- Base station infrastructure
- Portable Wireless
- CATV & DBS
- MMDS & Wireless LAN
- LTE CATV, DOCSIS 3.1WLAN

### PRODUCT OVERVIEW

PGA-102+ (RoHS compliant) is an advanced wideband amplifier fabricated using E-PHEMT technology and offers extremely high dynamic range over a broad frequency range and with low noise figure. In addition, the PGA-102+ has good input and output return loss over a broad frequency range without the need for external matching components and has demonstrated excellent reliability. It has repeatable performance from lot to lot and is enclosed in a SOT-89 package for very good thermal performance.

### KEY FEATURES

Feature	Advantages
Broad Band: 0.05 to 6.0 GHz	Broadband covering primary wireless communications bands: Cellular, PCS, LTE, WiMAX
High IP3 Versus DC power Consumption: 33 dBm typical at 2 GHz at +3.3V Supply Voltage and only 83mA	The PGA-102+ provides good IP3 performance relative to device size and power consumption. The combination of the design and E-PHEMT Structure provides enhanced linearity over a broad frequency range as evidence in the IP3 being typically 15 dB above the P 1dB point. This feature makes this amplifier ideal for use in: <ul style="list-style-type: none"> <li>• Driver amplifiers for complex waveform up converter paths</li> <li>• Drivers in linearized transmit systems</li> <li>• Secondary amplifiers in ultra High Dynamic range receivers</li> </ul>
No External Matching Components Required	Unlike competing products, Mini-Circuits PGA-102+ provides Input and Output Return Loss of 16-19 dB up to 4 GHz without the need for any external matching components
Low Noise Figure: 2.3 dB up to 0.8 GHz	A unique feature of the PGA-102+ which separates this design from all competitors is the low noise figure performance in combination with the high dynamic range

REV. D  
ECO-011959  
PGA-102+  
GV/RS/CP  
220823





HIGH DYNAMIC RANGE

# Monolithic Amplifier

## PGA-102+

Mini-Circuits

### ELECTRICAL SPECIFICATIONS AT 25°C, 50Ω, UNLESS NOTED OTHERWISE

Parameter	Condition (GHz)	Min.	Typ.	Max.	Units
Frequency Range		0.05		6	GHz
Gain	0.05	—	17.7	—	dB
	0.8	14.4	15.9	17.4	
	2.0	—	14.0	—	
	3.0	—	12.5	—	
	4.0	—	11.5	—	
	6.0	—	10.4	—	
Input Return Loss	0.05	—	14.0	—	dB
	0.8	15	18.4	—	
	2.0	—	12.4	—	
	3.0	—	10.5	—	
	4.0	—	9.4	—	
	6.0	—	6.7	—	
Output Return Loss	0.05	—	18.3	—	dB
	0.8	15	18.6	—	
	2.0	—	17.6	—	
	3.0	—	17.1	—	
	4.0	—	15.3	—	
	6.0	—	11.0	—	
Reverse Isolation	2.0		21.9		dB
Output Power @1 dB compression	0.05	—	17.6	—	dBm
	0.8	16.0	17.4	—	
	2.0	—	17.5	—	
	3.0	—	17.5	—	
	4.0	—	17.3	—	
	6.0	—	16.5	—	
Output IP3	0.05		30.8		dBm
	0.8		32.7		
	2.0		33.0		
	3.0		33.0		
	4.0		33.4		
	6.0		33.2		
Noise Figure	0.05		2.1		dB
	0.8		2.3		
	2.0		2.4		
	3.0		2.8		
	4.0		3.0		
	6.0		3.9		
Device Operating Voltage		3.1	3.3	3.5	V
Device Operating Current		60	83	120	mA
Device Current Variation vs. Temperature			49		μA/°C
Device Current Variation vs Voltage			0.066		mA/mV
Thermal Resistance, junction-to-ground lead			73		°C/W

1. Measured on Mini-Circuits Characterization test board TB-313. See Characterization Test Circuit (Fig. 1)





### MAXIMUM RATINGS<sup>5</sup>

Parameter	Ratings
Operating temperature (ground lead)	-40°C to 85°C
Storage temperature	-65°C to 150°C
Operating Current at 3.3V	300mA
Power dissipation	1.0W
Input power (CW)	+28 dBm
DC voltage on Pin 3	5.5V

<sup>5</sup>Permanent damage may occur if any of these limits are exceeded.  
Electrical maximum ratings are not intended for continuous normal operation.

### SIMPLIFIED SCHEMATIC AND PAD DESCRIPTION



Function	Pin Number	Description
RFIN	1	RF input pin. This pin requires the use of an external DC blocking capacitor chosen for the frequency of operation.
RF-OUT and DC-IN	3	RF output and bias pin. DC voltage is present on this pin; therefore a DC blocking capacitor is necessary for proper operation. An RF choke is needed to feed DC bias without loss of RF signal due to the bias connection, as shown in "Recommended Application Circuit", Fig. 2
GND	2,4	Connections to ground. Use via holes as shown in "Suggested Layout for PCB Design" to reduce ground path inductance for best performance.



### CHARACTERIZATION TEST CIRCUIT

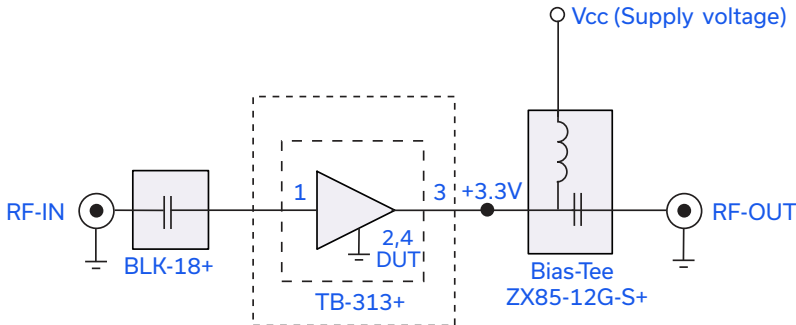
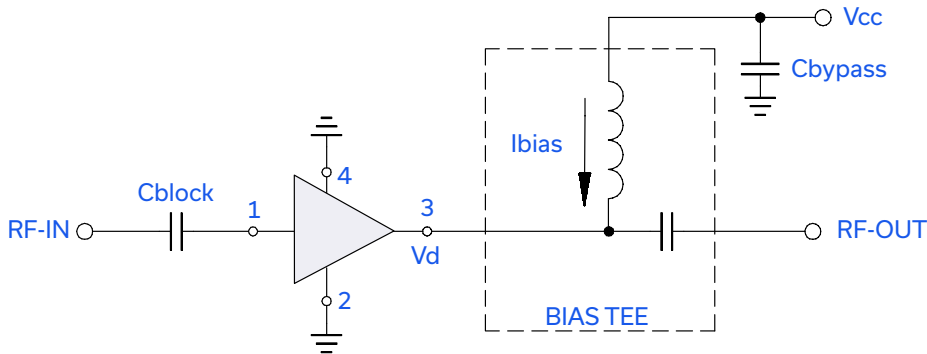


Fig 1. Block Diagram of Test Circuit used for characterization. (DUT tested on Mini-Circuits Characterization test board TB-313)  
Gain, Return loss, Output power at 1dB compression (P1 dB) , output IP3 (OIP3) and noise figure measured using Agilent's N5242A PNA-X microwave network analyzer.

Conditions:

1. Gain and Return loss: Pin= -25dBm
2. Output IP3 (OIP3): Two tones, spaced 10 MHz apart, 2.5 dBm/tone at output.

### RECOMMENDED APPLICATION CIRCUIT



Cblock=0.001 $\mu$ F, Bias-Tee=TCBT-14+, Cbypass=0.1 $\mu$ F

Fig 2. Evaluation board includes case, connectors, and components soldered to PCB

### PRODUCT MARKING



Marking may contain other features or characters for internal lot control



HIGH DYNAMIC RANGE

# Monolithic Amplifier

## PGA-102+

Mini-Circuits

ADDITIONAL DETAILED TECHNICAL INFORMATION IS AVAILABLE ON OUR DASH BOARD. TO ACCESS [CLICK HERE](#)

Performance Data	Data Table
	Swept Graphs
	S-Parameter (S2P Files) Data Set (.zip file)
Case Style	DF782 (SOT 89) Plastic package, exposed paddle lead finish: matte-tin
Tape & Reel Standard quantities available on reel	F55 7" reels with 20, 50, 100, 200, 500 or 1K devices
Suggested Layout for PCB Design	PL-313
Evaluation Board	TB-596-1+
Environmental Ratings	ENV08T1

### ESD RATING

Human Body Model (HBM): Class 1B (500 to <1000V) in accordance with ANSI/ESD STM 5.1 - 2001

Machine Model (MM): Class M1 (50V) in accordance with ANSI/ESD STM5.2-1999

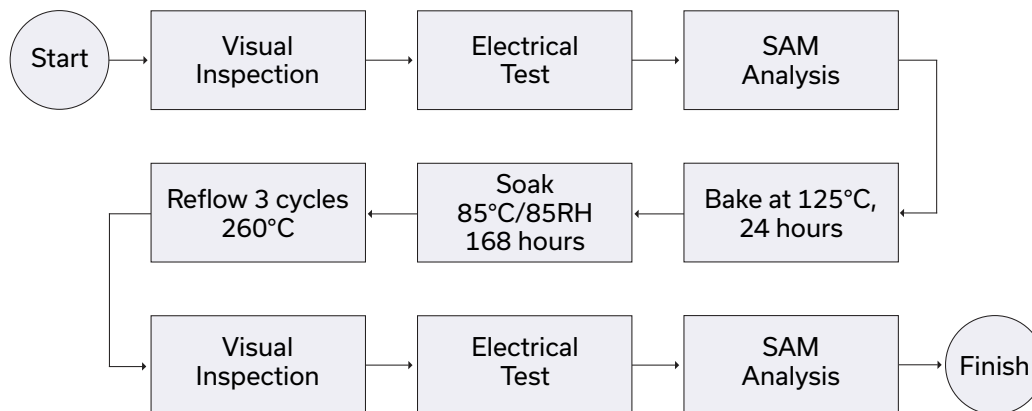


**Attention**  
Observe precautions  
for handling electrostatic  
sensitive devices

### MSL RATING

Moisture Sensitivity: MSL1 in accordance with IPC/JEDEC J-STD-020D

### MSL TEST FLOW CHART



- NOTES**
- A. Performance and quality attributes and conditions not expressly stated in this specification document are intended to be excluded and do not form a part of this specification document.
  - B. Electrical specifications and performance data contained in this specification document are based on Mini-Circuit's applicable established test performance criteria and measurement instructions.
  - C. The parts covered by this specification document are subject to Mini-Circuits standard limited warranty and terms and conditions (collectively, "Standard Terms"); Purchasers of this part are entitled to the rights and benefits contained therein. For a full statement of the standard. Terms and the exclusive rights and remedies thereunder, please visit Mini-Circuits' website at [www.minicircuits.com/MCLStore/terms.jsp](http://www.minicircuits.com/MCLStore/terms.jsp)

