

Future Technology Devices International Ltd.

FT602Q IC Datasheet (FIFO to USB 3.0 UVC Bridge)



The FT602 is a USB-to-FIFO interface to SuperSpeed USB (USB 3.1 Gen 1) USB Video Class (UVC) bridge chip with the following advanced features:

- Supports USB 3.1 GEN 1 Super Speed (5Gbps) / USB 2.0 High Speed (480Mbps)
- Supports USB Transfer Types: Control/Bulk/Interrupt
- Supports UVC version 1.1
- Supports up to 4 video input channels on the FIFO bus.
- Supports 2 parallel slave FIFO bus protocols, 245 FIFO and Multi-channel FIFO mode, with a data burst rate up to 400MB/s with 32 bit parallel interface
- Built-in 16kB FIFO data buffer RAM.
- Built-in I²C master interface for video device configuration
- Supports multi voltage I/O: 1.8V, 2.5V and 3.3V.
- Internal LDO 1.0V regulator.
- Integrated power-on-reset circuit.
- User programmable USB and UVC descriptors.
- Industrial operating temperature range: -40 to 85°C.
- Available in compact Pb-free QFN-76 RoHS compliant package.

Neither the whole nor any part of the information contained in, or the product described in this manual, may be adapted or reproduced in any material or electronic form without the prior written consent of the copyright holder. This product and its documentation are supplied on an as-is basis and no warranty as to their suitability for any particular purpose is either made or implied. Future Technology Devices International Ltd will not accept any claim for damages howsoever arising as a result of use or failure of this product. Your statutory rights are not affected. This product or any variant of it is not intended for use in any medical appliance, device or system in which the failure of the product might reasonably be expected to result in personal injury. This document provides preliminary information that may be subject to change without notice. No freedom to use patents or other intellectual property rights is implied by the publication of this document. Future Technology Devices International Ltd, Unit 1, 2 Seaward Place, Centurion Business Park, Glasgow G41 1HH United Kingdom. Scotland Registered Company Number: SC136640

1 Typical Applications

- USB 3.1 Digital Video Camera Interface
- USB 3.1 Digital Camera
- Medical/Industrial imaging devices
- USB 3.1 Instrumentation

1.1 Driver Support

USB Video Class Driver

- Windows 10
- Windows 8.1
- Windows 7
- Mac OS-X
- Linux

1.2 Ordering Information

Part Number	Package
FT602Q-B-x	76 Pin QFN 0.4mm Pitch, body 9mm x 9mm x 0.9mm

Table 1.1 Device Part Numbers

Note: Packaging codes for x is:

-R: Taped and Reel, (VQFN in 3000 pieces per reel)

-T: Tray packing, (VQFN in 260 pieces per tray)

For example: FT602Q-B-R is 3000 QFN pieces in taped and reel packaging

1.3 USB Compliance

The FT602Q is compliant with the USB 3.1 Gen 1 specification. Please contact us for further details on USB compliance.

2 Block Diagram

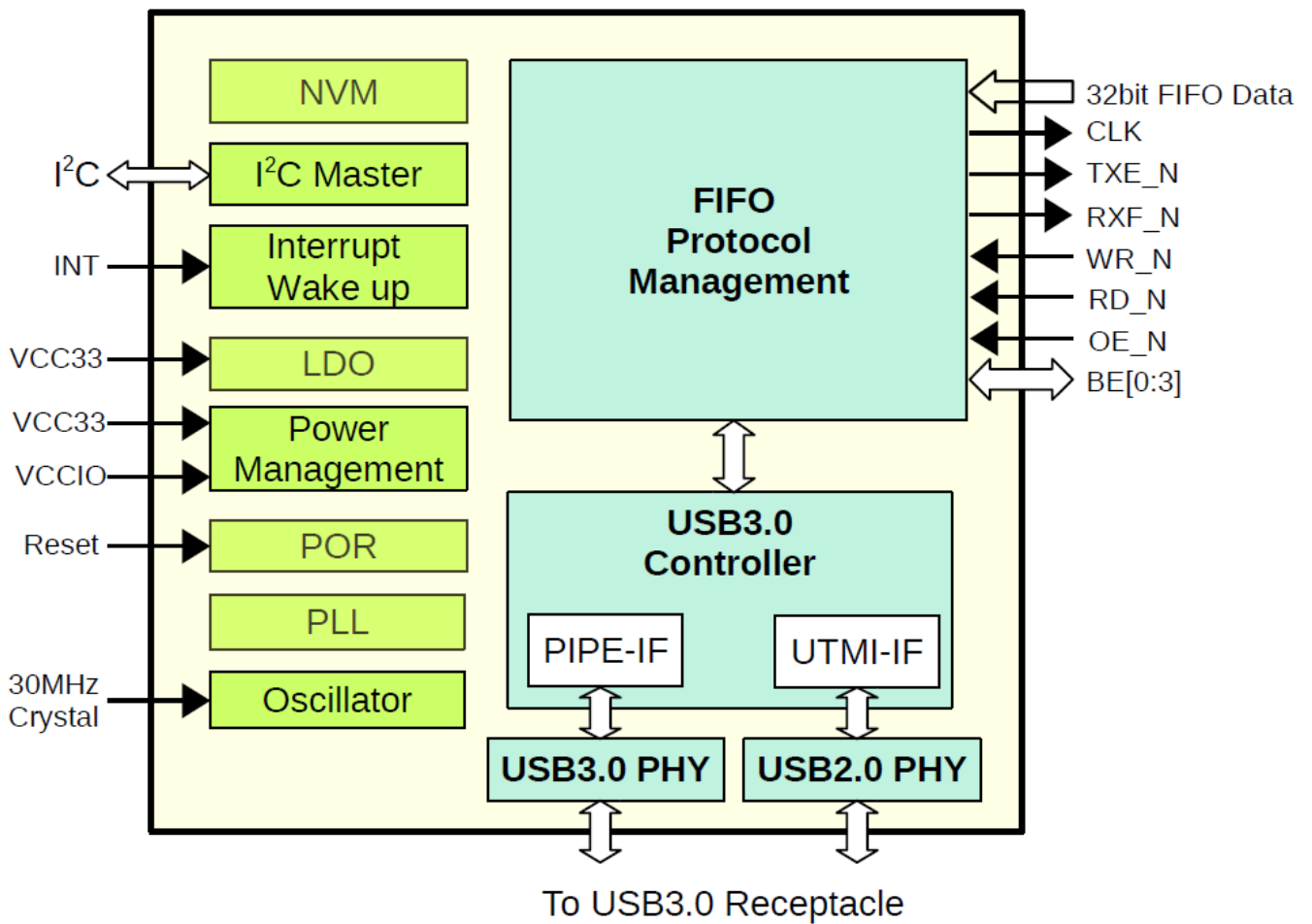


Figure 2.1 Block Diagram

For a description of each function please refer to Section 4.

Table of Contents

1	Typical Applications.....	2
1.1	Driver Support	2
1.2	Ordering Information.....	2
1.3	USB Compliance	2
2	Block Diagram	3
3	Device Pin Out and Signal Description.....	6
3.1	Device Pin Out	6
3.2	Device Pin Out Signal Description	6
4	Function Description	10
4.1	Key Features and Function Description	10
4.2	Multi-Channel FIFO mode Protocols	11
4.3	245 Synchronous FIFO mode Protocols.....	13
4.4	FIFO Bus AC Timing	13
4.5	Crystal Requirements.....	14
4.6	I ² C Interface.....	14
5	Devices Characteristics and Ratings	15
5.1	Absolute Maximum Ratings.....	15
5.2	ESD and Latch-up Specifications	15
5.3	DC Characteristics.....	16
5.3.1	DC Characteristics (Ambient Temperature = -40°C to +85°C)	16
5.3.2	DC Characteristics for I/O Interface	17
6	USB Power Configurations.....	18
6.1	USB Bus-Powered Configuration	18
6.2	Self-Powered Configuration	19
7	Application Example	20
7.1	FT602 Connect to FIFO Master Interface	20
8	Package Parameters.....	22
8.1	QFN-76 Package Mechanical Dimensions	22
8.2	QFN-76 Package Markings	23
8.3	Solder Reflow Profile	24

9	Contact Information	25
	Appendix A – References	26
	Document References	26
	Acronyms and Abbreviations.....	26
	Appendix B – List of Figures and Tables.....	27
	List of Figures	27
	List of Tables.....	27
	Appendix C – Revision History	28

3 Device Pin Out and Signal Description

3.1 Device Pin Out

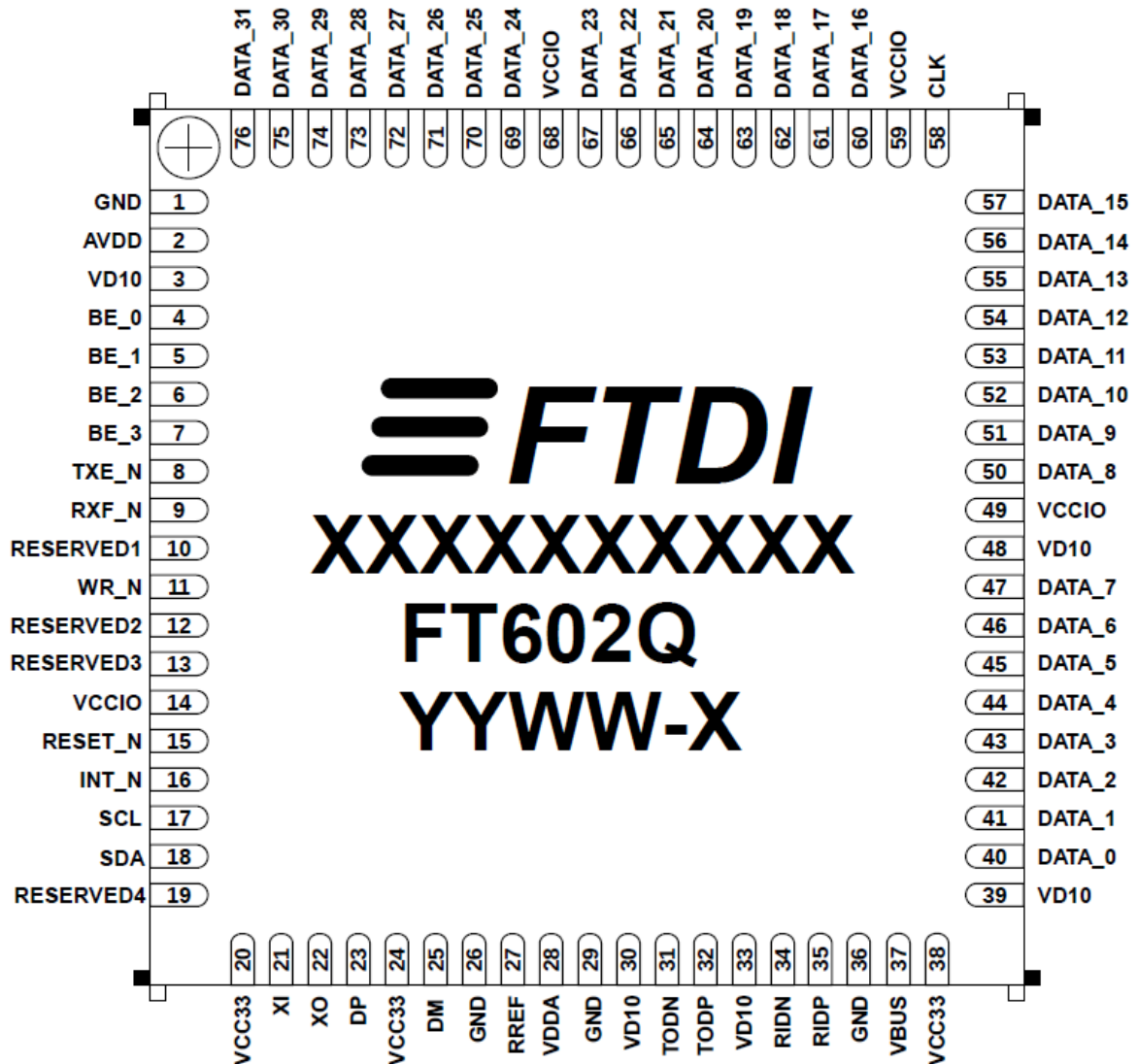


Figure 3.1 FT602 Pin Out

3.2 Device Pin Out Signal Description

Pin Name	Description	Type	Pin No.
CLK	Parallel FIFO bus clock output pin to the FIFO bus master. The Frequency can be configured as 66Mhz or 100Mhz for both FIFO bus modes.	O	58
DATA_0	Parallel FIFO bus data input bit 0.	I	40
DATA_1	Parallel FIFO bus data input bit 1.	I	41
DATA_2	Parallel FIFO bus data input bit 2.	I	42

DATA_3	Parallel FIFO bus data input bit 3.	I	43
DATA_4	Parallel FIFO bus data input bit 4.	I	44
DATA_5	Parallel FIFO bus data input bit 5.	I	45
DATA_6	Parallel FIFO bus data input bit 6.	I	46
DATA_7	Parallel FIFO bus data input bit 7.	I	47
DATA_8	Parallel FIFO bus data I/O bit 8.	I/O	50
DATA_9	Parallel FIFO bus data I/O bit 9.	I/O	51
DATA_10	Parallel FIFO bus data I/O bit 10.	I/O	52
DATA_11	Parallel FIFO bus data I/O bit 11.	I/O	53
DATA_12	Parallel FIFO bus data I/O bit 12.	I/O	54
DATA_13	Parallel FIFO bus data I/O bit 13.	I/O	55
DATA_14	Parallel FIFO bus data I/O bit 14.	I/O	56
DATA_15	Parallel FIFO bus data I/O bit 15.	I/O	57
DATA_16	Parallel FIFO bus data input bit 16.	I	60
DATA_17	Parallel FIFO bus data input bit 17.	I	61
DATA_18	Parallel FIFO bus data input bit 18.	I	62
DATA_19	Parallel FIFO bus data input bit 19.	I	63
DATA_20	Parallel FIFO bus data input bit 20.	I	64
DATA_21	Parallel FIFO bus data input bit 21.	I	65
DATA_22	Parallel FIFO bus data input bit 22.	I	66
DATA_23	Parallel FIFO bus data input bit 23.	I	67
DATA_24	Parallel FIFO bus data input bit 24.	I	69
DATA_25	Parallel FIFO bus data input bit 25.	I	70
DATA_26	Parallel FIFO bus data input bit 26.	I	71
DATA_27	Parallel FIFO bus data input bit 27.	I	72
DATA_28	Parallel FIFO bus data input bit 28.	I	73
DATA_29	Parallel FIFO bus data input bit 29.	I	74
DATA_30	Parallel FIFO bus data input bit 30.	I	75
DATA_31	Parallel FIFO bus data input bit 31.	I	76

BE_0	Parallel FIFO bus byte enable I/O bit 0.	I/O	4
BE_1	Parallel FIFO bus byte enable I/O bit 1.	I/O	5
BE_2	Parallel FIFO bus byte enable I/O bit 2.	I/O	6
BE_3	Parallel FIFO bus byte enable I/O bit 3.	I/O	7
TXE_N	245 Synchronous FIFO mode: Transmit FIFO Empty output signal. The signal indicates there is a minimum of 1 byte of space available to write to. Only write to the FIFO when this signal is logic 0. Multi-Channel FIFO mode: Status Valid output signal (optional).	O	8
RXF_N	245 Synchronous FIFO mode: Add external pull up in normal operation. Multi-Channel FIFO mode: Data Receive Acknowledge output signal.	O	9
RESERVED1	Reserved. Add external pull up in normal operation.	I	10
WR_N	245 Synchronous FIFO mode: Write Enable input signal. Multi-Channel FIFO mode: Data Transaction Request input signal. The signal is active low.	I	11
RESERVED2	Add external pull up in normal operation.	I	12
RESERVED3	Add external pull up in normal operation.	I	13
RESET_N	Chip Reset input, Active low.	I	15
INT_N	Interrupt input pin, active low.	I	16
RESERVED4	Reserved. Do not connect.	NC	19
SCL	I ² C Serial Clock line	OD	17
SDA	I ² C Serial Data line	OD	18
VBUS	USB BUS power detect pin. The input voltage should be greater than 2.7V.	I	37
XI	Crystal input. This terminal is the crystal input for the internal oscillator.	I	21
XO	Crystal Output. This terminal is the crystal output for the internal oscillator.	O	22
DP	Hi-speed USB differential transceiver (positive)	I/O	23
DM	Hi-speed USB differential transceiver (negative)	I/O	25

RREF	PHY reference resistor input pin. Connect 1.6k Ω 1% resistor to ground, provides reference voltage to USB2 PHY.	I	27
TODN	Super Speed USB transmitter differential pair (negative)	O	31
TODP	Super Speed USB transmitter differential pair (positive)	O	32
RIDN	Super Speed USB receiver differential pair (negative)	I	34
RIDP	Super Speed USB receiver differential pair (positive)	I	35
VCC33	+3.3V power input for chip and internal LDO.	PWR	20,24,38
DV10	+1.0V power output from internal LDO. Connecting to VD10 and AVDD, with a 4.7uF cap to ground is recommended.	O	39
VD10	+1.0V core voltage input.	PWR	3,30,33,48
VCCIO	Power input for I/O block, supports +2.5/+3.3V.	PWR	14,49,59,68
VDDA	+3.3V power input for USB2.0 and USB3.0 PHYs.	PWR	28
AVDD	+1.0V power input for PLL.	PWR	2
GND	Ground	GND	1,26,29,36

Table 3.1 Device pinout signal descriptions

4 Function Description

The FT602 is a high performance USB 3.1 UVC bridge with a FIFO interface. It is designed to transfer uncompressed YUV422 video data from the 32bit FIFO interface to the USB 3.1 bus. It supports resolutions and frame rates up to 1920x1080@60 frames per second. In FT600 multi-channel mode, up to 4 UVC channels of video may be transported. It can be used in those applications which require high resolution imaging devices.

The FIFO interface supports multi-voltage I/O of 1.8V, 2.5V or 3.3V and operating frequencies of 66MHz or 100MHz. At 100MHz operation only 2.5V or 3.3V I/O voltages are supported.

There are 2 different proprietary synchronous bus protocols supported; one FIFO bus protocol is called the "Multi-Channel FIFO" bus protocol, also known as the FT600 FIFO protocol and the other is the "245 Synchronous FIFO" bus protocol. The latter being an extension of the interface introduced in the FT232H/FT2232H devices.

*FIFO bus data lines are driven by the FIFO master, the FT602 only reads data from the FIFO master.

4.1 Key Features and Function Description

Functional Integration

The following features are integral to the IC design: FIFO protocol management, USB 3.1 (Gen 1) controller, USB3.0 and USB2.0 PHYs, power management, clock generation, power-on-reset (POR) and LDO regulator.

USB 3.1 Protocol Controller

The USB 3.1 Protocol Controller manages the data stream from the device USB control endpoint. It handles the USB protocol requests generated by the USB host controller and the commands for controlling the functional parameters of the endpoint in accordance with the USB 3.1 specification. 32KB of burst buffers are available in the protocol controller. These buffers are allocated to the UVC channels according to the required video bandwidth. The factory programmed default is for a single UVC channel and all burst buffers are allocated to the single channel. The default configuration may be customised by using the FT602 Chip Configuration utility.

FIFO Management

This unit is used to manage all PIPE data or buffers in the FIFO memory; the data is sent or received through the FIFO protocol layer. Through this block the FIFO memory can be allocated to each PIPE with any size of memory as long as the total memory allocated to all PIPEs does not exceed the maximum FIFO memory size which is 16KB. Additionally, the FIFO signals have a configurable high drive strength capability and can be set to 18Ω, 25Ω, 35Ω and 50Ω.

Multi-Channel FIFO Bus protocol

The multi-Channel FIFO bus is a slave bus and is designed to handle Multi-Channel FIFO connectivity. The bus protocol supports a total of 4 IN channels. CLK is the clock output to the FIFO bus master.

245 Synchronous FIFO Bus protocol

The 245 Synchronous FIFO bus is a slave bus with one IN FIFO channel supported by this bus protocol. CLK is the clock output to the FIFO bus master.

FIFO Bus Clock Option

The device provides the following FIFO bus clock frequency option: 66MHz, 100MHz.

FIFO Buffer (16K bytes)

Data written into the FIFO is stored in the FIFO buffer and transferred to the USB endpoint buffers and prepared for transmission to the USB host. The data is transferred to the host whenever the IN endpoint is ready to receive data.

The FIFO and EPC burst buffers in the FT602 may be configured to correspond to the required throughput of the UVC channel. The factory programmed default configuration is for a single UVC channel with the entire 16KB FIFO buffer allocated to the single IN channel. The default configuration may be customised by using the [FT602 Chip Configuration utility](#).

Internal LDO Regulator

The LDO regulator generates the +1.0V power supply for driving the internal core of the device. This supply is not to be used for external devices and is meant for decoupling.

Reset Generator

The integrated Reset Generator module provides a reliable power-on reset to the device internal circuitry at power up. The RESET_N input pin allows an external device to reset the FT602. This pin is an active low input.

Interrupt

One interrupt pin is provided; this pin can be used for I²C interrupt request or to wake up the FT602 device from sleep mode.

I²C bus

The FT602 provides an I²C bus which operates as master, the transmission speed defaults to 800 Kb/s.

USB Video Class Device

The UVC device has configurations for SuperSpeed, Hi-speed, and full speed devices. The device is compliant to UVC Version 1.1 and supports the following features.

- Up to 14 customisable resolutions each in FS, HS, SS modes, up to UHD.
- Up to 4 UVC sources simultaneously.
- Up to 60fps of F-HD input.

4.2 Multi-Channel FIFO mode Protocols

The FIFO interface is a slave bus and is designed to handle multi-channel connectivity. The bus protocol supports a total of 4 IN channels; each has a corresponding USB IN endpoint. CLK is the clock output from the bus slave to the bus master.

The channel numbers denoted in this document as channels 1 to 4 are mapped to USB endpoint numbers 1 to 4. The USB IN endpoint in Channel 1 is denoted as USB IN channel 1.

Correspondingly, the FIFO IN is for data transmitted from the USB device to the host.

WR_N is the bus master to bus slave data transaction request signal, and it is active low.

RXF_N is the bus slave to bus master data receive acknowledge signal, and it is active low.

TXE_N (optional signal, the master can ignore this signal) is the bus slave to bus master FIFO idle status valid signal, and it is active low.

DATA[31:0] is used as the 32-bit data bus during the data transfer phase. When the bus is in the idle state DATA[31:16], DATA[7:0] and BE[3:0] are driven to logic"1" by the bus master, and DATA[15:8] is driven by the bus slave to provide the FIFO status to the bus master. The lower nibble (DATA[11:8]) provides the 4 IN channels FIFO status. They are all active low.

For example, at idle, DATA[8] is logic“0”, which indicates USB IN channel 1 FIFO space is empty and able to receive data . The external bus master will start a transfer cycle by asserting WR_N based on the channel FIFO status. The first cycle after WR_N is asserted is the command phase, followed by the data phase when RXF_N is asserted. At the command phase, the bus master will send the channel number which it intends to transfer data with on DATA[7:0] and the Write command on BE[3:0]. BE[3:0] = 'h1 indicates a master write. There may also be a required turn-a-round for DATA[31:0] and BE[3:0] after the command phase and at the end of data transaction.

Table 4.1 shows Multi-Channel FIFO mode command phase master write and channel address setting.

Command Phase	FT602 Command BE[3:0]	Channel Address DATA[7:0]
Master Write	0001	8'h1=Channel 1 8'h2=Channel 2 8'h3=Channel 3 8'h4=Channel 4 All other values are reserved and shall be ignored

Table 4.1 Multi-Channel FIFO mode Command phase

Note: The channels can be configured by using the FT602 Chip Configuration utility.

The waveform below shows a FT602 master write transaction for 14 bytes at channel 1 with the bus master terminating the transaction. There are turn-a-round cycles for DATA[15:8] after the command phase and at the end of the data transaction. The BE[3:0] shows that the lower 2 bytes in D3 are valid at the last word strobe in this transaction.

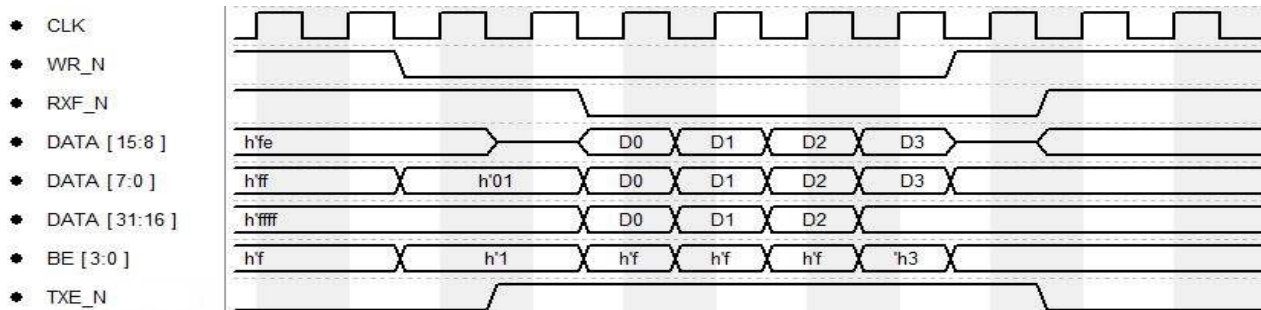


Figure 4.1 Multi-Channel FIFO mode master write transaction 1

NOTE: There is no turnaround phase for BE pins as these remain inputs when the FIFO is being written to by the master.

The waveform below shows a FT602 master write transaction where the FIFO at channel 1 uses all data space first, the RXF_N reasserts when the FIFO data space is not available after D3. There are turn-a-round cycles for DATA[15:8] after the command phase and at the end of the data transaction. The BE[3:0] shows that the transaction is all word aligned, all 4 bytes in D3 are valid at the last word strobe in this transaction.

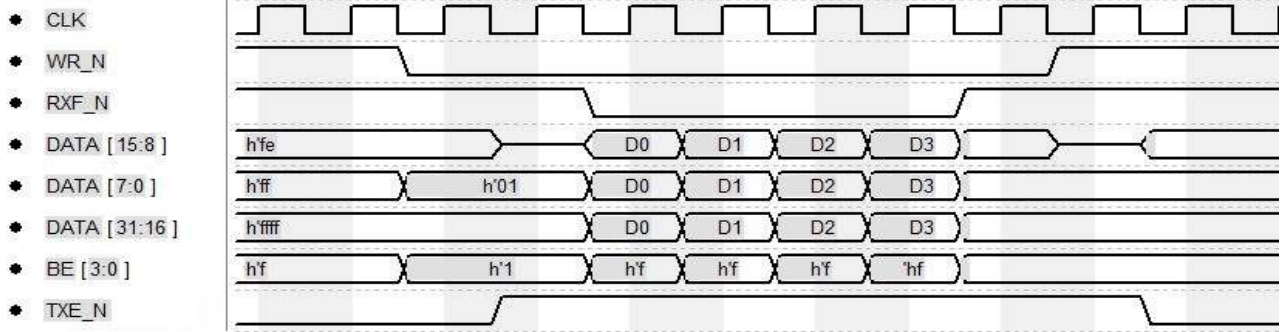


Figure 4.2 Multi-Channel FIFO mode master write transaction 2

4.3 245 Synchronous FIFO mode Protocols

This FT602 slave FIFO bus uses one IN FIFO channel while in this mode.

CLK is the clock output to the bus master; it can be configured as 66 MHz or 100 MHz

TXE_N is an output signal, Transmit FIFO Empty. It is active low and when active it indicates the Transmit FIFO has space and it is ready to receive data from the FIFO master.

WR_N is an input signal, Write Enable. It is active low and when it is driven low by the bus master, the master has write cycle access.

BE[3:0] is the byte enable signal. In bus master write operation, the bus master asserts the signal for the valid bytes in a word strobe. Normally, all 4 bytes should be valid in a bus transaction except in the last word strobe when the data transaction length is not aligned at a word boundary. The waveform below shows 245 synchronous FIFO bus master write cycles.

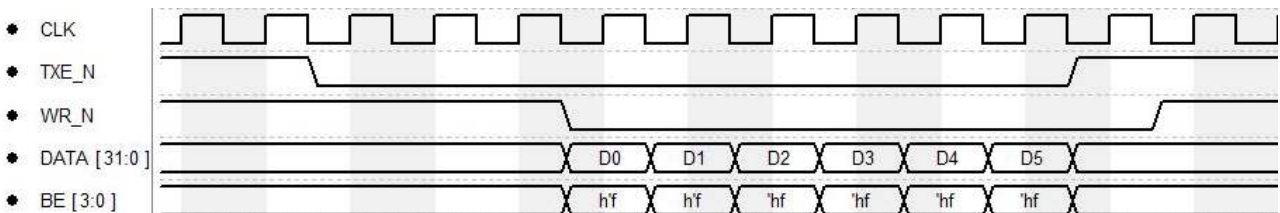


Figure 4.3 245 Synchronous FIFO mode bus master write cycle

*In 245 Synchronous FIFO mode master write operation, if the bus master expects the data to be transferred on the USB bus in a maximum possible packet length, it should write the data to the FIFO in a single bus transaction.

4.4 FIFO Bus AC Timing

The FT602 device FIFO bus is a synchronous parallel bus. The CLK signal is generated by the device, with the typical FIFO clock duty cycle of 50%. Both Multi-Channel and 245 synchronous FIFO modes' worst case AC timing are shown in

Figure 4.4 and Table 4.2.

In this figure, 'Input Data' includes all control signals and data lines driven by the FIFO master. 'Output Data' includes all control signals driven by the FIFO slave - FT602.

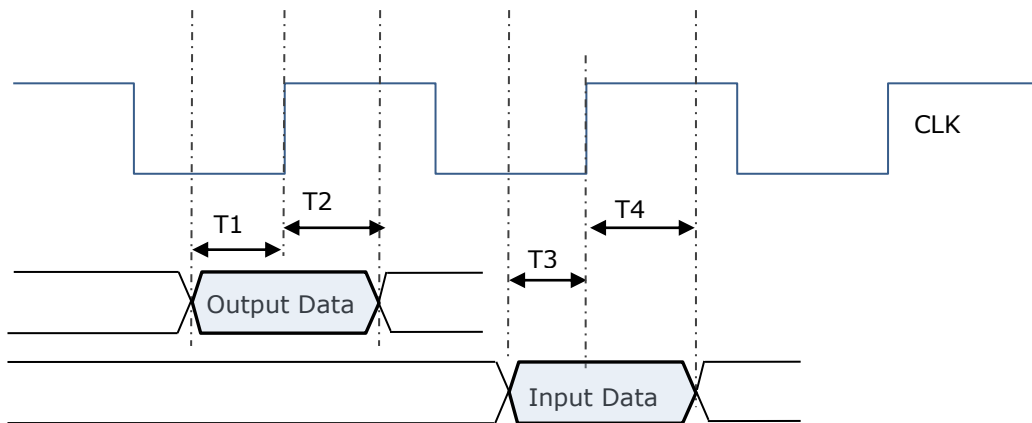


Figure 4.4 FIFO Bus AC timing diagram

Time	Description	Minimum	Maximum	Unit
T1	Slave Drive Data Set Up Time	3.0	-	ns
T2	Slave Drive Data Hold Time	3.5	-	ns
T3	Master Drive Data Set Up Time	1	-	ns
T4	Master Drive Date Hold Time	4.8	-	ns

Table 4.2 FIFO Bus AC timing

4.5 Crystal Requirements

The FT602 device requires an external clock source to control the internal circuitry.

The recommended parameters for the crystal are: 30MHz \pm 20ppm Crystal 18pF 50 Ohm -40°C ~ 85°C. The crystal should be connected across the XI and XO pins.

Note: Replacing the crystal with an oscillator or other clock source by tying XO to GND is not supported

4.6 I²C Interface

The I²C master supports 3 operating frequencies, 800 kHz, 400 kHz and 100 kHz. The frequency may be set through the FT602 configuration utility. The I²C master issues repeated start for read operations and it does not support arbitration and clock stretching.

I²C commands are issued by FT602 under the following conditions:

1. FT602 defined commands to convey video resolution selection and start of streaming
2. UVC command (camera and processing unit) pass through to I²C slave device
3. Side-band pass through (opaque data) by user supplied host application via configuration interface. Slave device initiated communication can be retrieved

[AN 434 FT602 UVC Bus Master Sample](#) describes the I²C slave register map.

5 Devices Characteristics and Ratings

5.1 Absolute Maximum Ratings

The absolute maximum ratings for the FT602 devices are as follows. These are in accordance with the Absolute Maximum Rating System (IEC 60134). Exceeding these may cause permanent damage to the device.

Parameter	Value	Unit
Storage Temperature	-65°C to 150°C	Degrees C
Ambient Operating Temperature (Power Applied)	-40°C to 85°C	Degrees C
VCC33/VDDA Supply Voltage	-0.3 to +4.6	V
VCCIO Supply Voltage	-0.3 to +4.0	V
VD10 Core Supply Voltage	-0.5 to +1.4	V
AVDD PLL Supply Voltage	-0.5 to +1.4	V
IOs DC Input Voltage	-0.5 to +VCCIO+0.5	V

Table 5.1 Absolute Maximum Ratings

5.2 ESD and Latch-up Specifications

Description	Reference	Min	Typical	Max	Units
Human Body Mode (HBM)	JEDEC EIA/JESD22- A114-B, Class 2	-	±2kV	-	kV
Machine mode (MM)	JEDEC EIA/JESD22- A115-A, Class B	-	±200V	-	V
Charged Device Mode (CDM)	JEDEC EIA/ JESD22-C101-D, Class-III	-	±500V	-	V
Latch-up	JESD78, Trigger Class-II	-	±200mA	-	mA

Table 5.2 ESD and Latch-Up Specifications

5.3 DC Characteristics

5.3.1 DC Characteristics (Ambient Temperature = -40°C to +85°C)

Parameter	Description	Min	Typical	Max	Units	Conditions
VCC33/VDDA	VCC Operating Supply Voltage	3.0	3.3	3.6	V	
VCCIO_1	VCCIO Operating Supply Voltage	3.0	3.3	3.6	V	VCCIO=3.3V
VCCIO_2	VCCIO Operating Supply Voltage	2.3	2.5	2.7	V	VCCIO=2.5V
VCCIO_3	VCCIO Operating Supply Voltage	1.65	1.8	1.95	V	VCCIO=1.8V
VD10/AVDD	Core/PLL Operating Supply Voltage	0.9	1.0	1.1	V	
Icc_1	VCC Operating Supply Current	-	85	-	mA	Idle, SuperSpeed
Icc_2	VCC Operating Supply Current	-	69	-	mA	Idle, High Speed
Icc_3	VCC Operating Supply Current	-	185	-	mA	FHD 1080P@60fps Output
Icc_3	VCC Operating Supply Current	-	4	-	mA	USB Suspend
Iccio_1	VCCIO Operating Supply Current	-	4.5	-	mA	No data transfer
Iccio_2	VCCIO Operating Supply Current		9.5		mA	Data transfer
Iccio_3	VCCIO Operating Supply Current		70		μA	USB Suspend

Table 5.3 DC Characteristics

5.3.2 DC Characteristics for I/O Interface

Parameter	Description	Min	Typical	Max	Units	Conditions
VCCIO_3.3V	VCCIO Operating Supply Voltage	3.0	3.3	3.6	V	Normal Operation
VCCIO_2.5V		2.3	2.5	2.7	V	Normal Operation
VCCIO_1.8V		1.65	1.8	1.95	V	Normal Operation
VIH		$VCCIO * 0.7$	-	-	V	Normal Operation
VIL		-	-	$VCCIO * 0.3$	V	Normal Operation
Iin/Iout(3.3V)	Input/output Leakage	-10	-	10	uA	Without pull-up/down
Rpu/Rpd	Input pull-up/pull down resistance	30	50	75	KΩ	Vout=0~VCCIO
Iout(VCCIO=3.3V)	Output drive strength	10	-	-	mA	Total current
Iout(VCCIO=2.5V)	Output drive strength	9.4	-	-	mA	Total current
Cp	Pin Capacitance	-	-	2.0	pF	

Table 5.4 DC Characteristics for I/O Interface (Except USB PHY pins)

6 USB Power Configurations

The following sections illustrate possible USB power configurations for the FT602. The illustrations have omitted pin numbers for ease of understanding.

6.1 USB Bus-Powered Configuration

Note: The reference designs here are for USB 3.1 Standard B or Micro-B connectors.

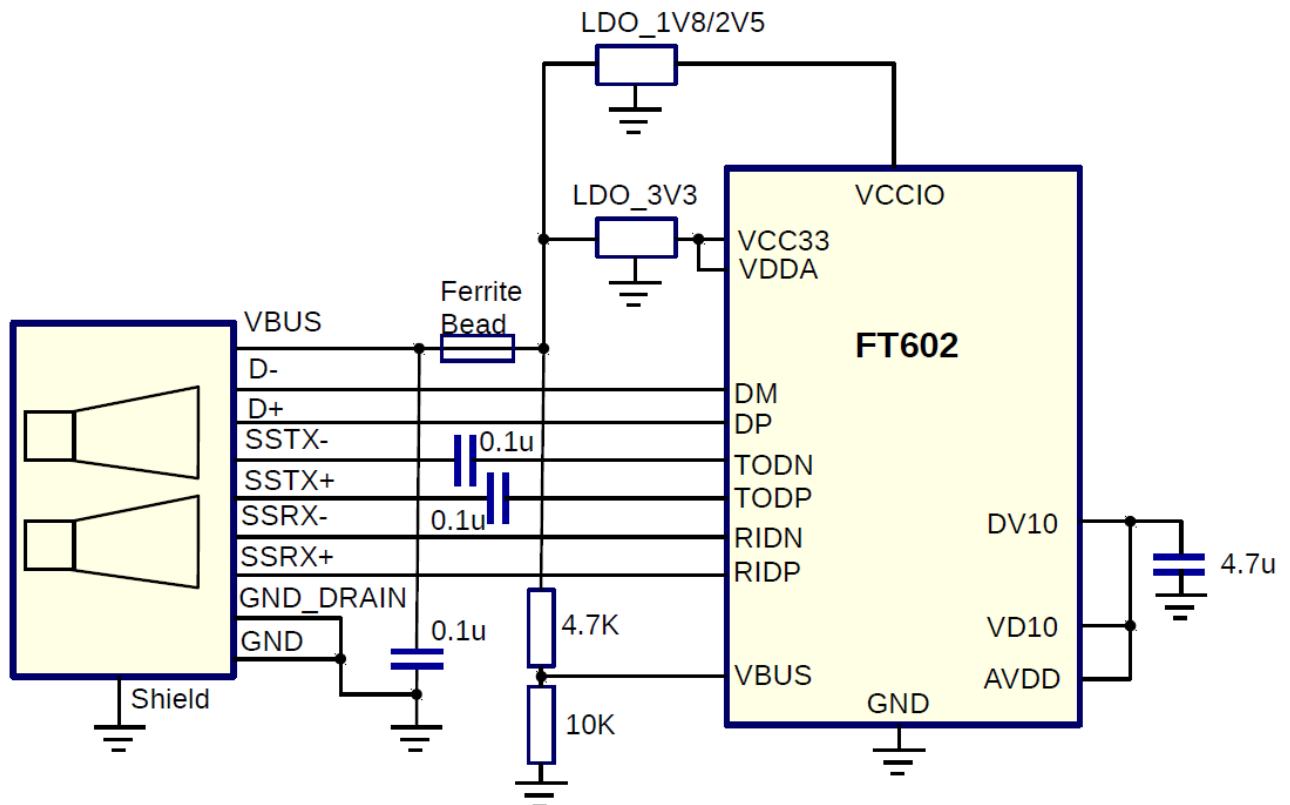


Figure 6.1 Bus-Powered Configuration-1.8V/2.5V I/O

Figure 6.1 illustrate the FT602 in a typical USB bus powered design configuration. The FT602 device gets its power(VCC33) from the USB bus via an external LDO(LDO_3V3) stepping the voltage down to +3.3V. Another external LDO stepping the voltage down to +2.5V for supplying the VCCIO power, connect VCCIO pins to same LDO(LDO_3V3) if VCCIO is configured to 3.3V.

A ferrite bead is connected in series with the USB power supply to reduce EMI noise from the FT602 and associated circuitry being radiated down the USB cable to the USB host. The value of the Ferrite Bead depends on the total current drawn by the application.

6.2 Self-Powered Configuration

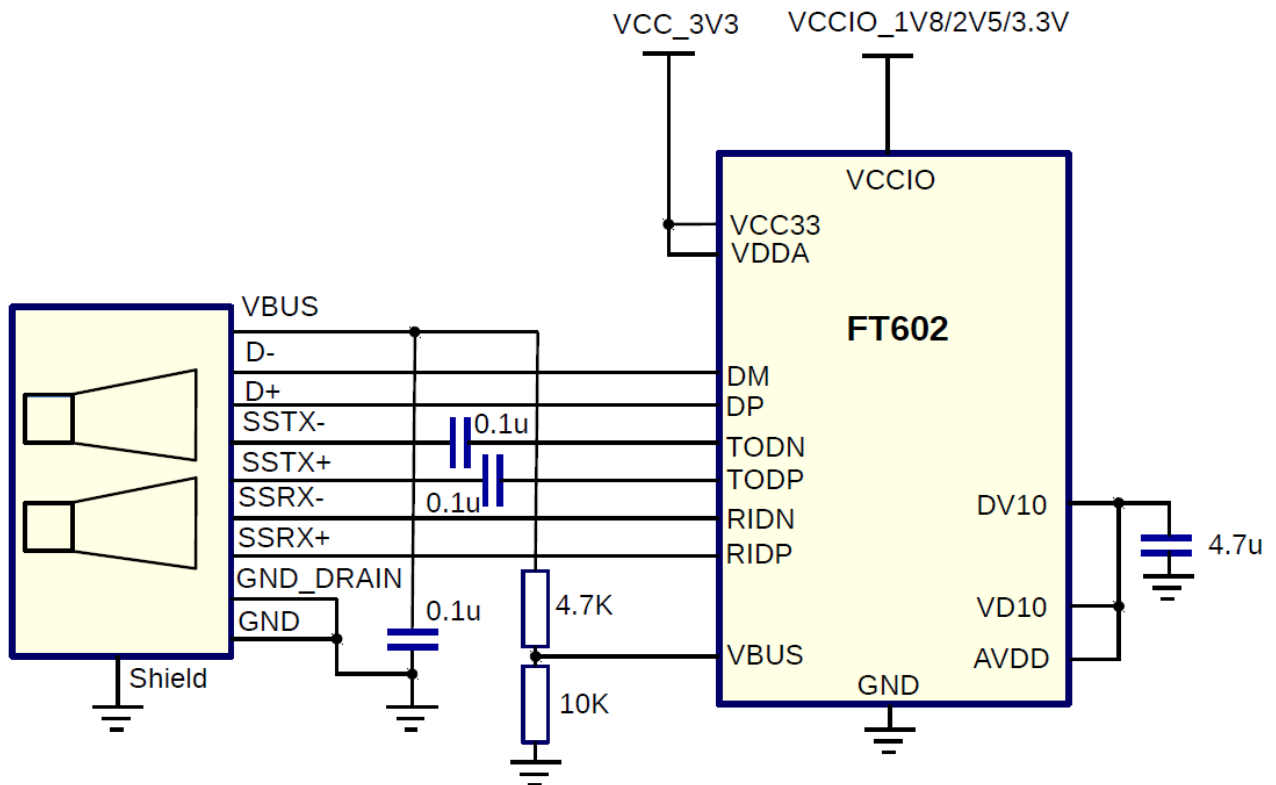


Figure 6.2 Self-Powered Configuration

Figure 6.2 illustrates the FT602 in a typical USB self-powered configuration. The FT602 device gets its power from its own power supply, VCC33 and VCCIO, and does not draw current from the USB bus.

The basic rules for USB self-powered devices are as follows –

- i) A self-powered device should not force current down the USB bus when the USB host or hub controller is powered down.
- ii) A self-powered device can use as much current as it needs during normal operation and USB suspend as it has its own power supply.
- iii) A self-powered device can be used with any USB host, a bus powered USB hub or a self-powered USB hub.

7 Application Example

The following sections illustrate the typical application of the FT602 UVC bridge device. The illustrations have omitted pin numbers for ease of understanding.

A typical example of the FT602 UVC Bridge to FIFO Master Interface is illustrated in Figure 7.1 and Figure 7.2.

7.1 FT602 Connect to FIFO Master Interface

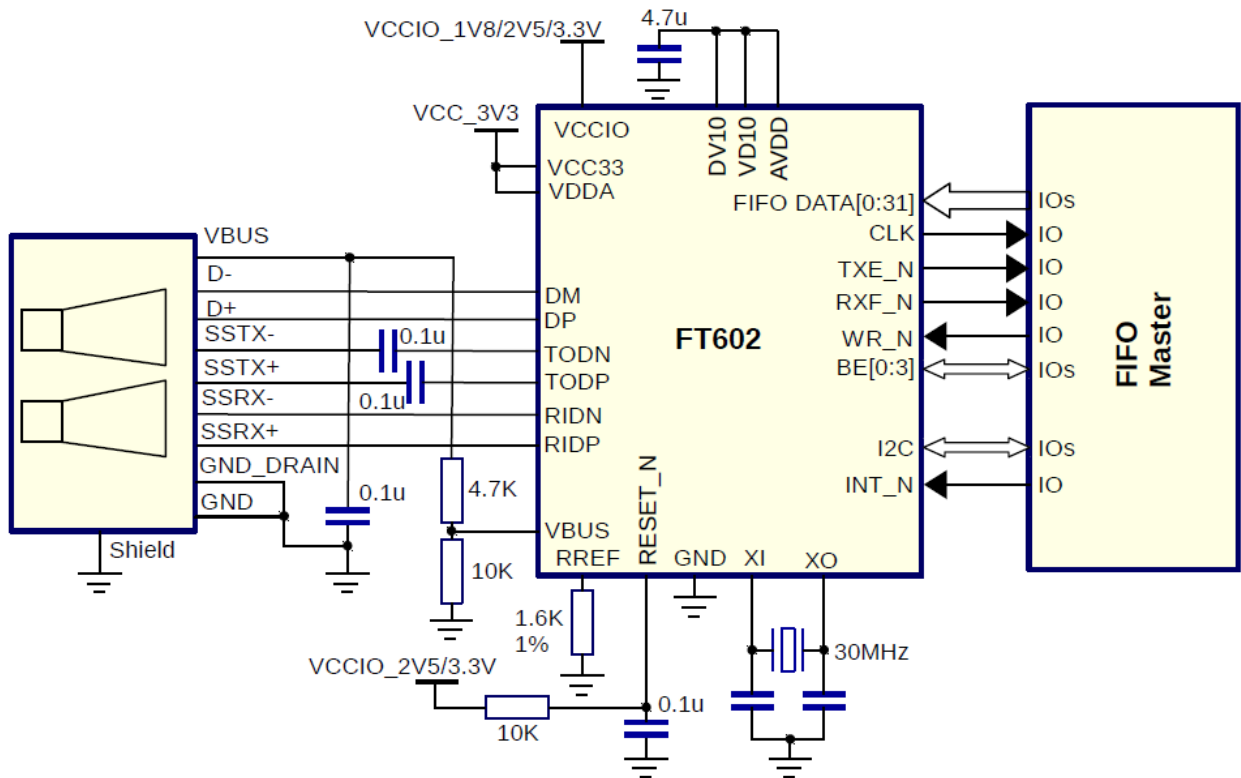


Figure 7.1 FT602 Connect to FIFO Master Interface (Multi-Channel FIFO Mode)

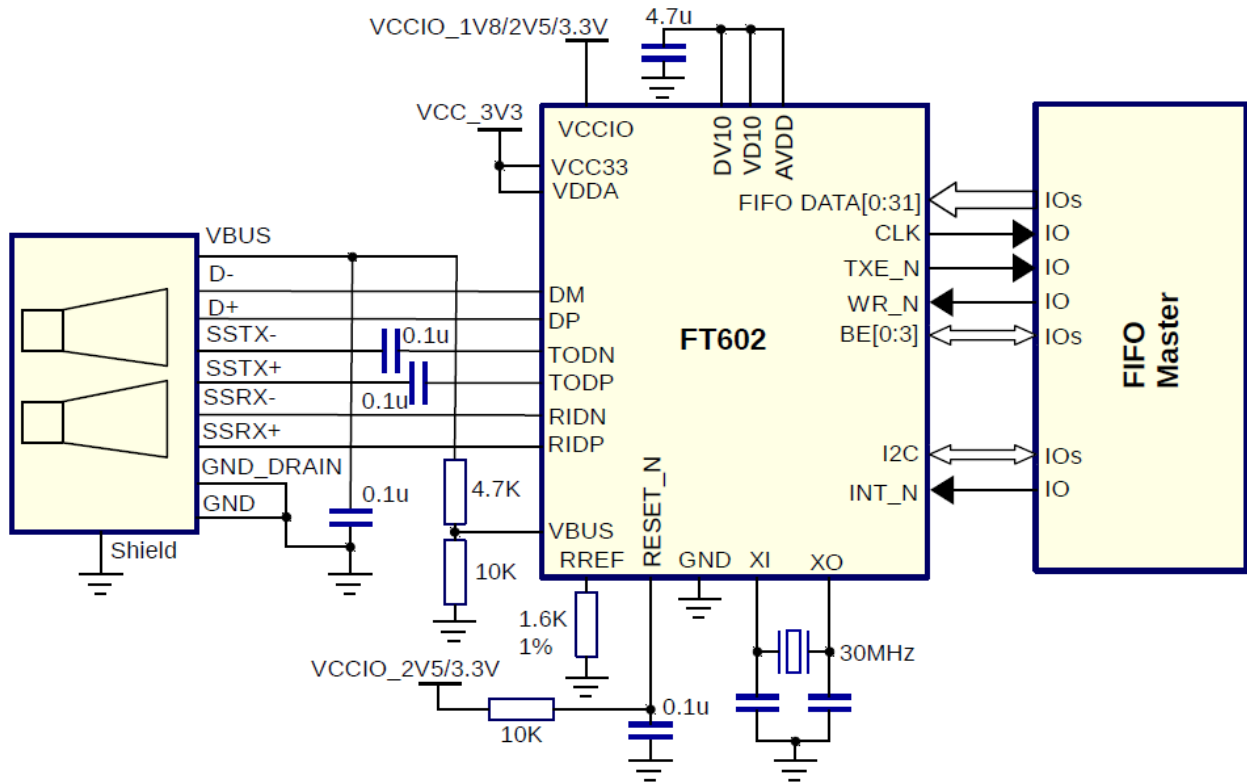


Figure 7.2 FT602 Connect to FIFO Master Interface (245 Synchronous FIFO Mode)

Note: I²C bus can connect to others I²C slave device, e.g. I²C interface EEPROM.

8 Package Parameters

The FT602 is available in a QFN-76 package.

8.1 QFN-76 Package Mechanical Dimensions

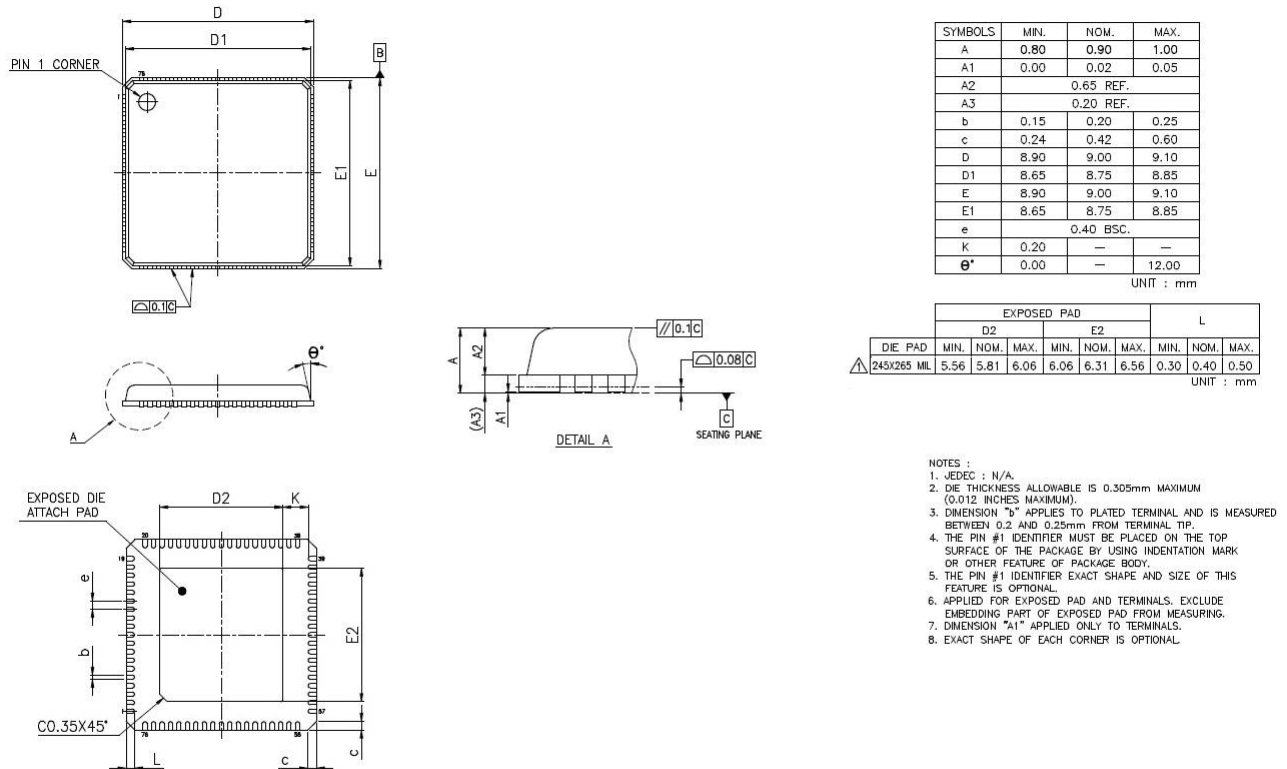


Figure 8.1 QFN-76 Package Dimensions

The FT602Q is supplied in a RoHS compliant leadless QFN-76 package. The package is lead (Pb) free, and uses a 'green' compound. The package is fully compliant with European Union directive 2002/95/EC.

This package is nominally 9.0mm x 9.0mm body. The solder pads are on a 0.40mm pitch. The above mechanical drawing shows the QFN-76 package.

The centre pad on the base of the FT602Q is internally connected to GND, the PCB should connect to ground and not have signal tracking on the same layer as chip in this area.

8.2 QFN-76 Package Markings

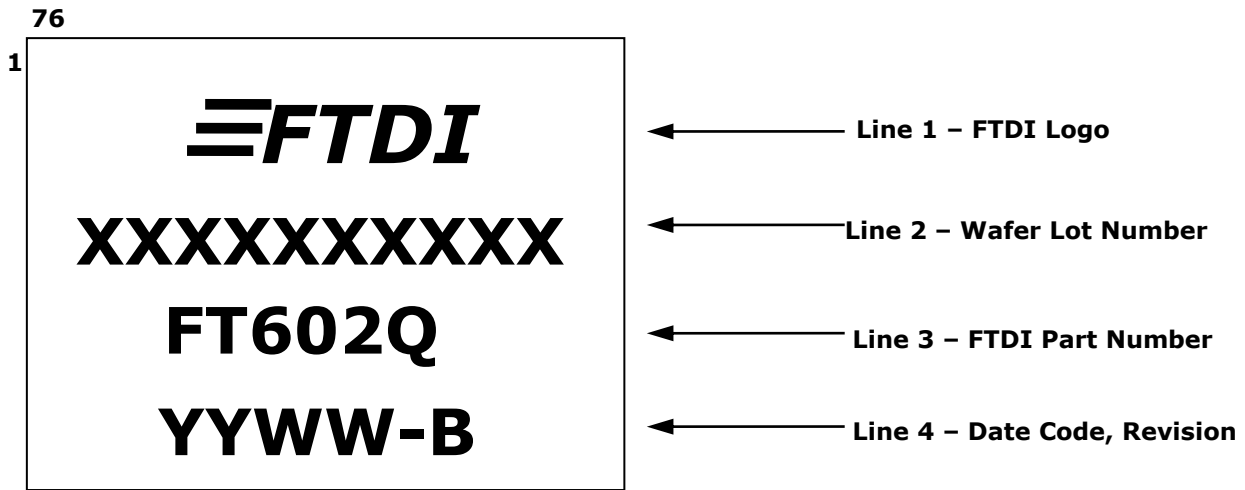


Figure 8.2 QFN-76 Package Markings

Notes:

1. YYWW = Date Code, where YY is year and WW is week number
2. Marking alignment should be centre justified
3. Laser Marking should be used
4. All marking dimensions should be marked proportionally. Marking font should be using Greatek standard font (Roman Simplex)

8.3 Solder Reflow Profile



Figure 8.3 Solder Reflow Profile

9 Contact Information

Head Office – Glasgow, UK

Future Technology Devices International Limited
Unit 1, 2 Seaward Place, Centurion Business Park
Glasgow G41 1HH
United Kingdom
Tel: +44 (0) 141 429 2777
Fax: +44 (0) 141 429 2758

E-mail (Sales) sales1@ftdichip.com
E-mail (Support) support1@ftdichip.com
E-mail (General Enquiries) admin1@ftdichip.com

Branch Office – Tigard, Oregon, USA

Future Technology Devices International Limited (USA)
7130 SW Fir Loop
Tigard, OR 97223-8160
USA
Tel: +1 (503) 547 0988
Fax: +1 (503) 547 0987

E-mail (Sales) us.sales@ftdichip.com
E-mail (Support) us.support@ftdichip.com
E-mail (General Enquiries) us.admin@ftdichip.com

Branch Office – Taipei, Taiwan

Future Technology Devices International Limited (Taiwan)
2F, No. 516, Sec. 1, NeiHu Road
Taipei 114
Taiwan, R.O.C.
Tel: +886 (0) 2 8797 1330
Fax: +886 (0) 2 8751 9737

E-mail (Sales) tw.sales1@ftdichip.com
E-mail (Support) tw.support1@ftdichip.com
E-mail (General Enquiries) tw.admin1@ftdichip.com

Branch Office – Shanghai, China

Future Technology Devices International Limited (China)
Room 1103, No. 666 West Huaihai Road,
Shanghai, 200052
China
Tel: +86 21 62351596
Fax: +86 21 62351595

E-mail (Sales) cn.sales@ftdichip.com
E-mail (Support) cn.support@ftdichip.com
E-mail (General Enquiries) cn.admin@ftdichip.com

Web Site

<http://ftdichip.com>

Distributor and Sales Representatives

Please visit the Sales Network page of the [FTDI Web site](http://ftdichip.com) for the contact details of our distributor(s) and sales representative(s) in your country.

System and equipment manufacturers and designers are responsible to ensure that their systems, and any Future Technology Devices International Ltd (FTDI) devices incorporated in their systems, meet all applicable safety, regulatory and system-level performance requirements. All application-related information in this document (including application descriptions, suggested FTDI devices and other materials) is provided for reference only. While FTDI has taken care to assure it is accurate, this information is subject to customer confirmation, and FTDI disclaims all liability for system designs and for any applications assistance provided by FTDI. Use of FTDI devices in life support and/or safety applications is entirely at the user's risk, and the user agrees to defend, indemnify and hold harmless FTDI from any and all damages, claims, suits or expense resulting from such use. This document is subject to change without notice. No freedom to use patents or other intellectual property rights is implied by the publication of this document. Neither the whole nor any part of the information contained in, or the product described in this document, may be adapted or reproduced in any material or electronic form without the prior written consent of the copyright holder. Future Technology Devices International Ltd, Unit 1, 2 Seaward Place, Centurion Business Park, Glasgow G41 1HH, United Kingdom. Scotland Registered Company Number: SC136640

Appendix A – References

Document References

Useful Application Notes

[AN_434_FT602_UVC_Bus_Master_Sample](#)

Modules Datasheet

[DS_UMFT602EVM_module_datasheet](#)

Utility

[FT602ChipConfigurationProg](#)

Acronyms and Abbreviations

Terms	Description
ESD	Electro Static Discharge
FIFO	First In First Out
FPGA	Field Programmable Gate Array
I ² C	Inter-Integrated Circuit
LDO	Low Drop Out regulator
QFN	Quad Flat Non-leaded package
RoHS	Restriction of Hazardous Substances Directive
USB	Universal Serial Bus
VQFN	Very Thin Quad Flat Non-Leaded Package

Appendix B – List of Figures and Tables

List of Figures

Figure 2.1 Block Diagram.....	3
Figure 3.1 FT602 Pin Out	6
Figure 4.1 Multi-Channel FIFO mode master write transaction 1	12
Figure 4.2 Multi-Channel FIFO mode master write transaction 2	13
Figure 4.3 245 Synchronous FIFO mode bus master write cycle.....	13
Figure 4.4 FIFO Bus AC timing diagram	14
Figure 6.1 Bus-Powered Configuration-1.8V/2.5V I/O.....	18
Figure 6.2 Self-Powered Configuration.....	19
Figure 7.1 FT602 Connect to FIFO Master Interface (Multi-Channel FIFO Mode)	20
Figure 7.2 FT602 Connect to FIFO Master Interface (245 Synchronous FIFO Mode)	21
Figure 8.1 QFN-76 Package Dimensions.....	22
Figure 8.2 QFN-76 Package Markings	23

List of Tables

Table 1.1 Device Part Numbers.....	2
Table 3.1 Device pinout signal descriptions	9
Table 4.1 Multi-Channel FIFO mode Command phase	12
Table 4.2 FIFO Bus AC timing	14
Table 5.1 Absolute Maximum Ratings	15
Table 5.2 ESD and Latch-Up Specifications	15
Table 5.3 DC Characteristics	16
Table 5.4 DC Characteristics for I/O Interface (Except USB PHY pins).....	17

Appendix C – Revision History

Document Title: FT602Q IC Datasheet
 Document Reference No.: FT001389
 Clearance No.: FTDI#519
 Product Page: <http://www.ftdichip.com/FTProducts.htm>
 Document Feedback: [Send Feedback](#)

Revision	Changes	Date
Version 1.0	Initial Release	2017-02-21
Version 1.1	Updated Release (Data_8 to Data_15 change to I/O from input in section 3.2 Corrected section 4.2 Multi-channel mode descriptions)	2017-05-05
Version 1.2	Table 4.2 has been updated with new timing values	2017-11-03
Version 1.3	Updated the Part Number in section 1.2; Updated section 1.3 and Figure 2.1; Updated package marking in section 8.2	2017-12-11
Version 1.4	Updated Figure 4.4 and figure references throughout the document.	2019-11-29