

## TAS5421EVM User's Guide

The TAS5421-Q1 evaluation module (EVM) is intended to demonstrate the capabilities of the TAS5421-Q1 device. All the device features can be accessed through the hardware and the software graphical user interface (GUI) which is supplied. This user's guide contains a description of the EVM and the GUI. The schematic, bill of materials (BOM), and board layout are included.

### 1 Hardware Overview

The TAS5421EVM showcases TI's TAS5421-Q1 analog input class-D closed-loop mono amplifier. The EVM is usable as stand-alone platform with default I<sup>2</sup>C register settings. The EVM runs in default I<sup>2</sup>C register settings. The EVM can also work with a USB2IIC-2 board and TAS5421-Q1 GUI for programming the I<sup>2</sup>C register settings.

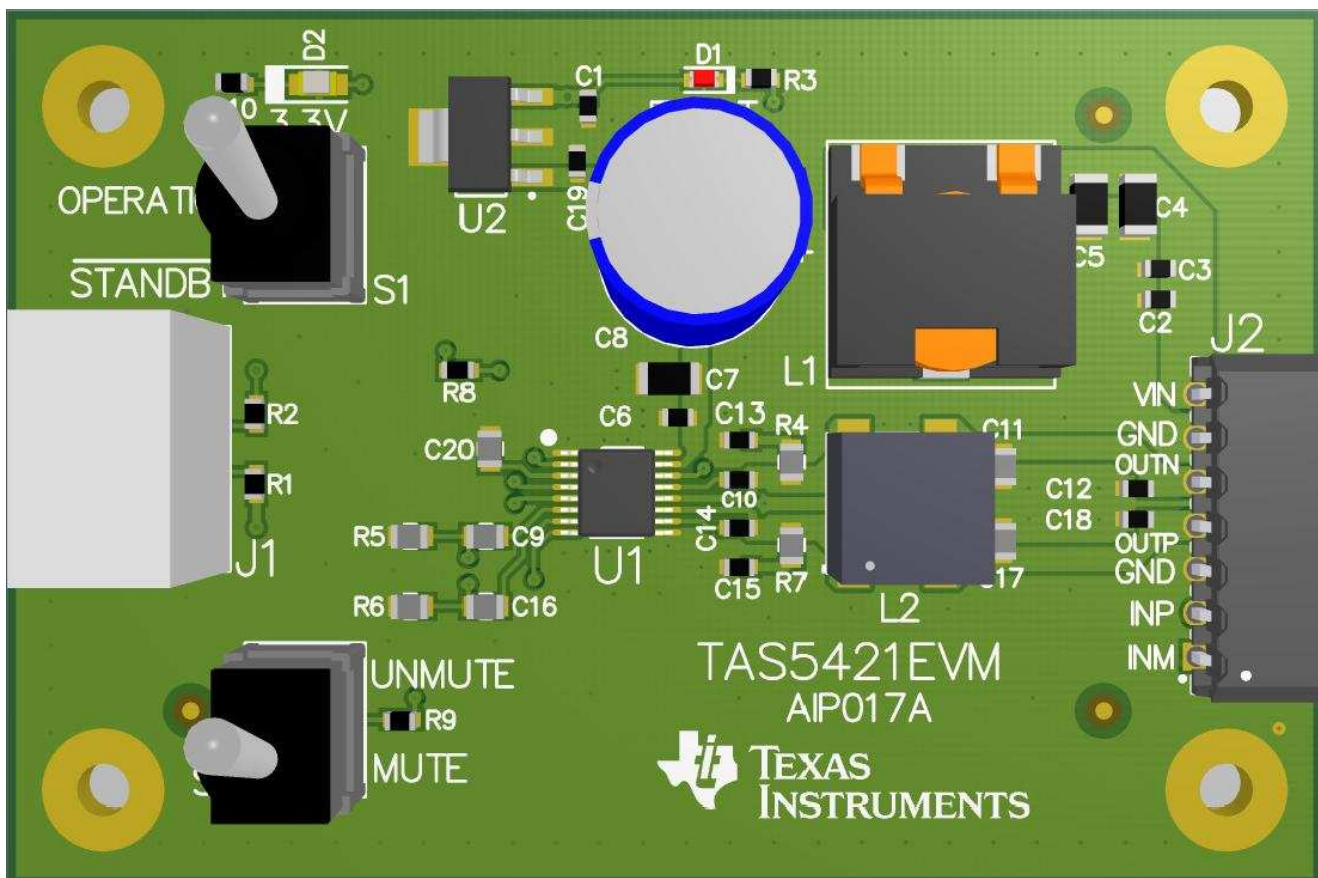


Figure 1. TAS5421EVM

### 1.1 TAS5421EVM Features

- Runs without I<sup>2</sup>C initialization
- Has GUI control via USB port
- Passes EMC CISPR 25, class 5

### 1.2 TAS5421EVM Gain

The gain setting for TAS5421-Q1 device is I<sup>2</sup>C programmable. The four gain options are 20 dB, 26 dB, 32 dB, and 36 dB. Set the gain by modifying I<sup>2</sup>C control register 0x03. By default, the gain is 26 dB.

### 1.3 TAS5421EVM PWM Switching Frequencies

The PWM switching frequency is I<sup>2</sup>C programmable. The two  $f_{(SW)}$  options are 400 kHz and 500 kHz. Programming the frequency in control register 0x03 is via the GUI and IIC2USB-2 board. By default,  $f_{(SW)}$  is 400 kHz.

### 1.4 TAS5421EVM SpeakerGuard™ Protection Circuitry

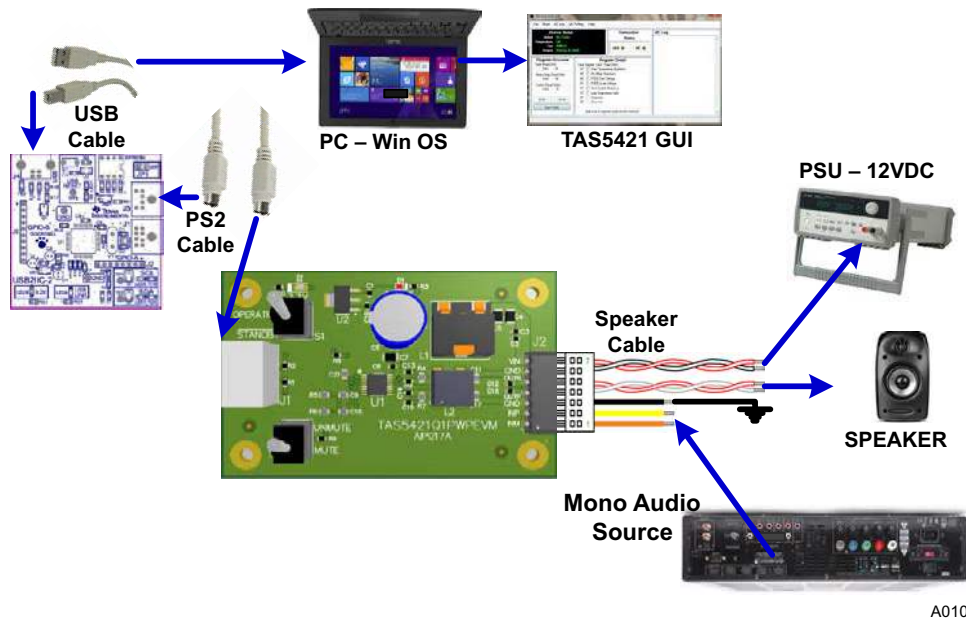
The SpeakerGuard protection circuitry is programmable for different voltage levels. Programming the levels in control register 0x03 via the GUI and IIC2USB-2 board. The control register shows the default value for the SpeakerGuard protection-circuitry voltage level.

**Table 1. Control Register**

D7	D6	D5	D4	D3	D2	D1	D0	FUNCTION
0	1	1	1	1	0	0	0	26-dB gain, $f_{(SW)}$ set to 400 kHz, SpeakerGuard protection circuitry is set to maximum voltage.
—	—	—	—	—	—	—	1	$f_{(SW)}$ set to 500 khz
—	—	—	—	—	1	1	—	RESERVED
—	—	1	1	0	—	—	—	SpeakerGuard protection circuitry is set to 14-V peak output.
—	—	1	0	1	—	—	—	SpeakerGuard protection circuitry is set to 11.8-V peak output.
—	—	1	0	0	—	—	—	SpeakerGuard protection circuitry is set to 9.8-V peak output.
—	—	0	1	1	—	—	—	SpeakerGuard protection circuitry is set to 8.4-V peak output.
—	—	0	1	0	—	—	—	SpeakerGuard protection circuitry is set to 7-V peak output.
—	—	0	0	1	—	—	—	SpeakerGuard protection circuitry is set to 5.9-V peak output.
—	—	0	0	0	—	—	—	SpeakerGuard protection circuitry is set to 5-V peak output.
0	0	—	—	—	—	—	—	Set gain to 20 dB.
0	1	—	—	—	—	—	—	Set gain to 32 dB.
1	1	—	—	—	—	—	—	Set gain to 36 dB.

## 2 TAS5421EVM Setup

This section describes the TAS5421EVM setup and software installation.



**Figure 2. TAS5421EVM Connection**

Hardware requirements (see [Figure 2](#)):

- Computer running Windows XP, Windows 7, or Windows 8
- Power supply unit (PSU) 5–18 VDC
- Speakers and cable (provided)
- USB cable (provided)
- PS2 cable (provided)
- USB2IIC-2 board (provided)
- Audio source: analog RCA input

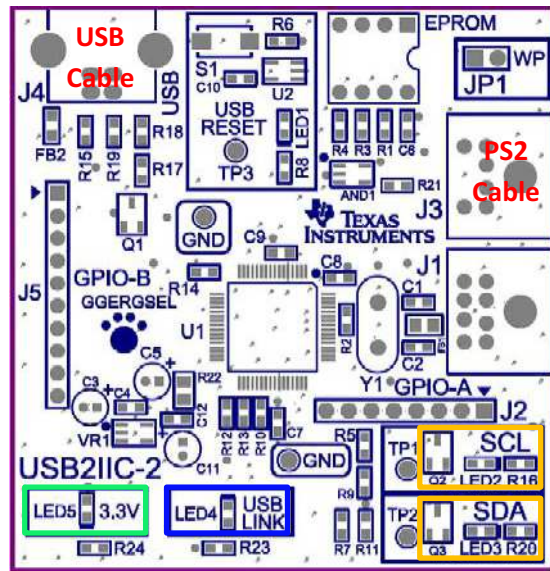
Hardware setup:

1. Connect the 6-pin cable to the TAS5421EVM on one end and to the USB2IIC-2 board on the other (see [Figure 2](#)).
2. Plug in the USB cable from the PC to the USB2IIC-2 board (shown in [Figure 3](#)). The 3.3-V and USB LINK LEDs light. The I<sup>2</sup>C LEDs (SDA/SCL) on the USB2IIC-2 board are blinking (colored boxes in [Figure 3](#)).
3. Connect the I/O cable (see [Figure 2](#)):
  - PSU: red(+)-black(-) pair to PSU
  - The speaker: white-red pair to speakers
  - The audio input: yellow-orange audio input source
  - Leave the black wire on the I/O cable unconnected or connect it to ground.
4. Connect the PSU to the TAS5421EVM and turn on the power. The 3.3-V LED (D1 on the EVM board) lights (see [Figure 1](#)).
5. Set switch S1 to OPERATION and S2 to UNMUTE (see [Figure 1](#)).

---

**NOTE:** The TAS5421EVM can run without a USB2IIC-2 board.

---



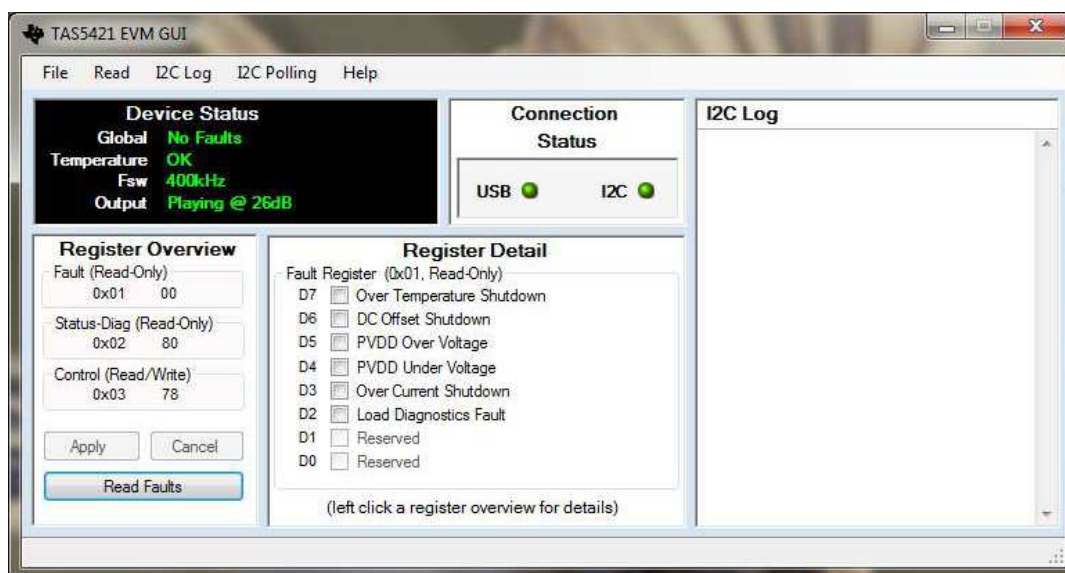
A002

Figure 3. USB2IIC-2 Board

### 3 Software Installation

The TAS5421-Q1 GUI is available on the [product folder](#) by clicking on *Tools and Software* tab to obtain the latest release of the GUI.

Execute the GUI installation program, TAS5421-Q1 GUI Setup.exe. After the program is installed, run the TAS5421 EVM GUI. Figure 4 shows the start-up GUI image. The GUI displays the fault register when first started. I<sup>2</sup>C data is polling by default. The I<sup>2</sup>C device address for the TAS5421-Q1 device is D8. Green USB and I<sup>2</sup>C LEDs show that USB is connected and I<sup>2</sup>C communication is valid.



A003

Figure 4. GUI Image at Start-Up

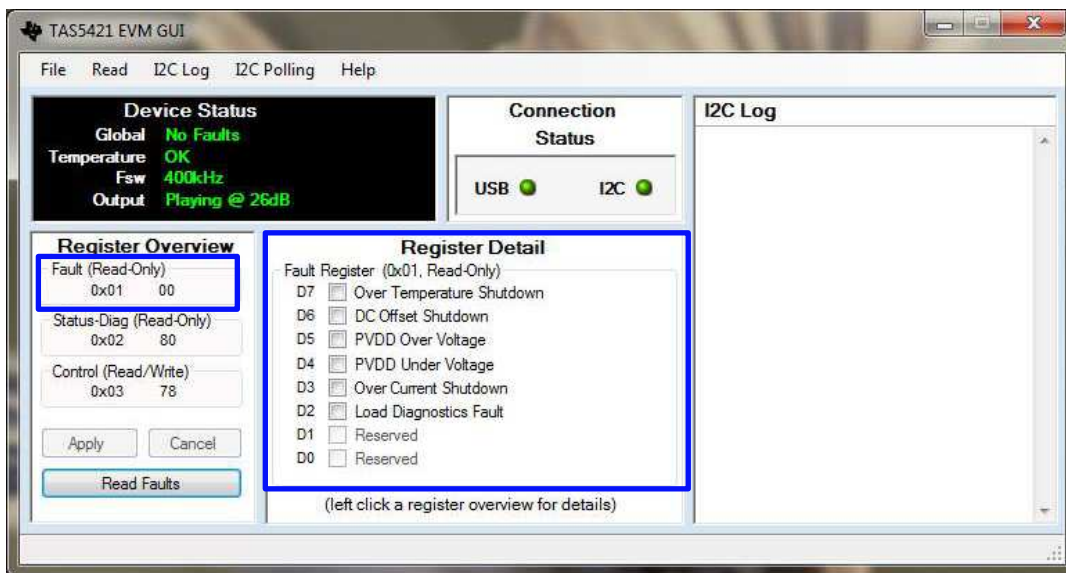
## 4 Using the GUI With the TAS5421EVM Board

The TAS5421EVM does not need initialization. On powering up, the device goes into load diagnostics. If there is no problem, the device goes into play mode with the following default values are set:

- Gain: 26 dB
- $f_{(sw)}$ : 400 kHz
- SpeakerGuard protection circuitry: Maximum voltage level

### 4.1 Checking the Fault Register

When the GUI first runs, the Register Detail box displays the fault register. The GUI runs with I<sup>2</sup>C data polling as the default setting, clearing any previous faults after the first poll. If any fault condition is still active after device goes into play mode, with the exception of open load, the device enters the load-diagnostics mode.

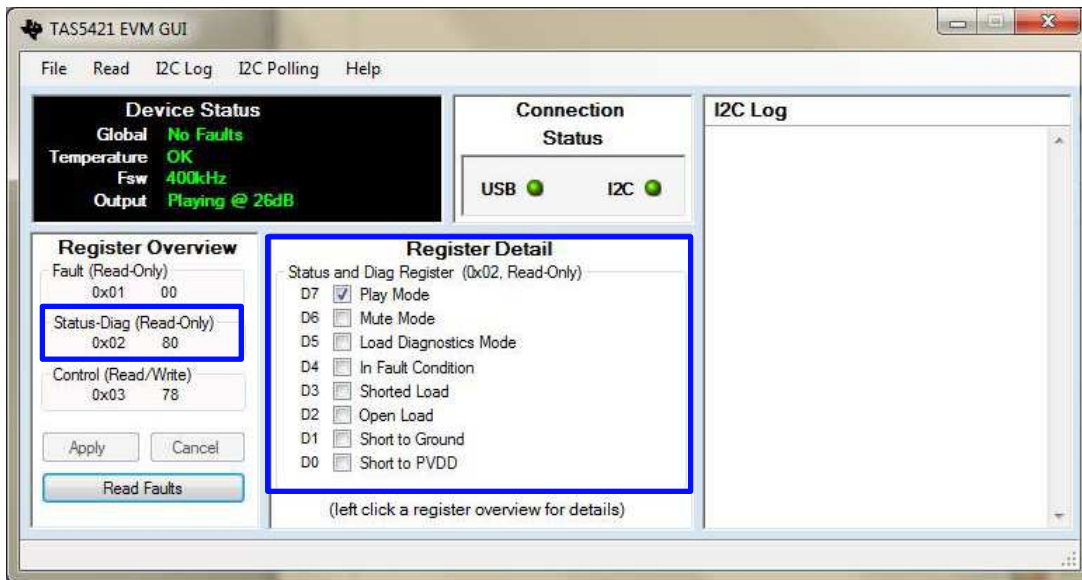


A004

Figure 5. Fault Register

### 4.2 Checking the Status Register

Figure 6 shows the status register. Click on *Status-Diag (Read-Only)* (0x02), shown in Figure 6 (blue boxes for illustration only, not shown on GUI) and the register detail appears in the middle box.

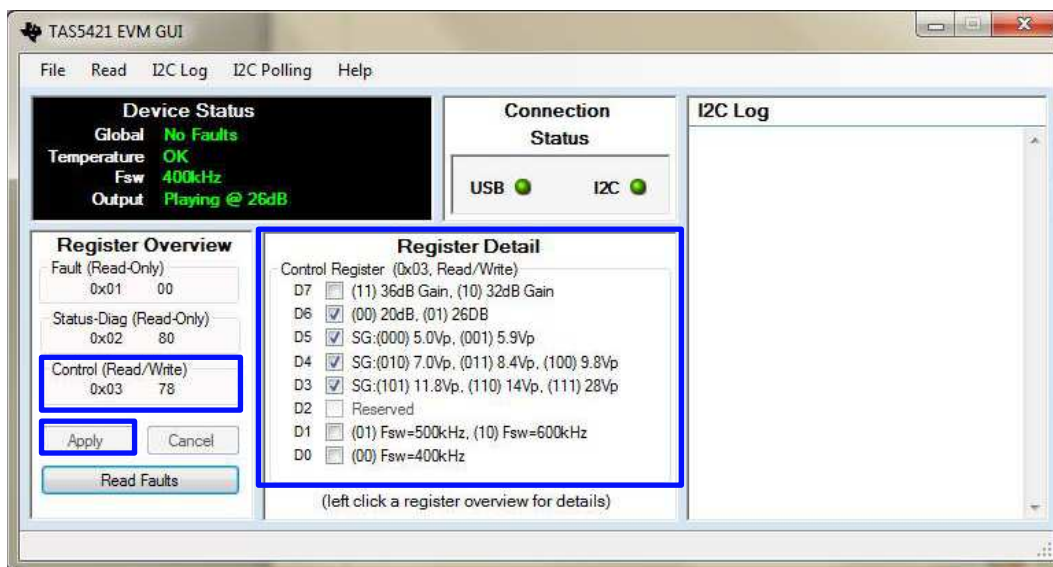


A005

Figure 6. Status Register

### 4.3 Checking and Changing the Control Register

Figure 7 shows the control register. In this register, one can change the default values for  $f_{(SW)}$ , SpeakerGuard protection circuitry, and gain. Select the desired check boxes; then click apply to update the device status box.



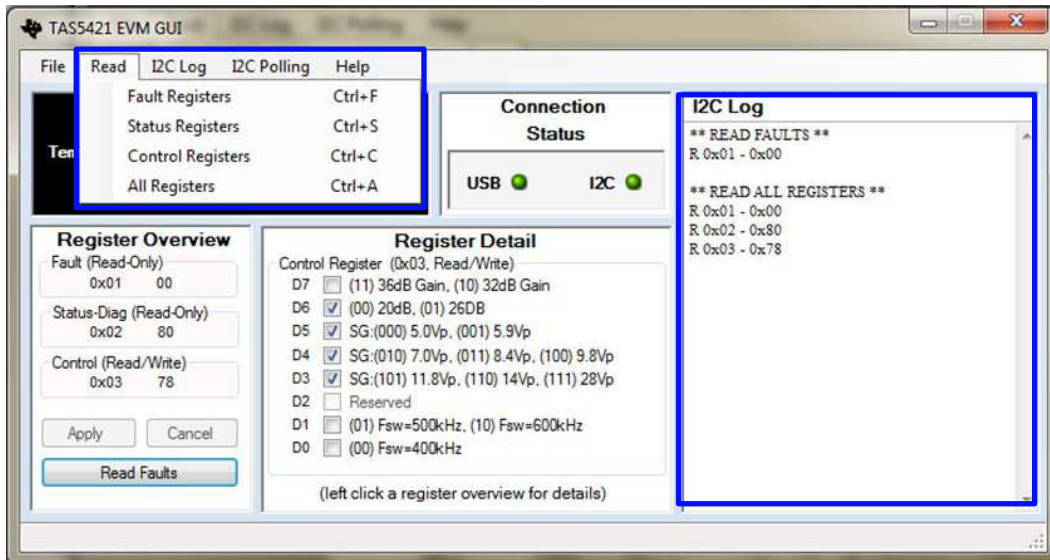
A006

Figure 7. Control Register

#### 4.4 Read and I<sup>2</sup>C Log

The I<sup>2</sup>C log displays I<sup>2</sup>C registers read data (see Figure 8). An option exists for reading the three registers all at once or individually. Pressing the Read Faults button displays the fault register value on the I<sup>2</sup>C log as well.

Starting the GUI enables the I<sup>2</sup>C log. An option is available to turn off logging on the pulldown I<sup>2</sup>C Log menu.

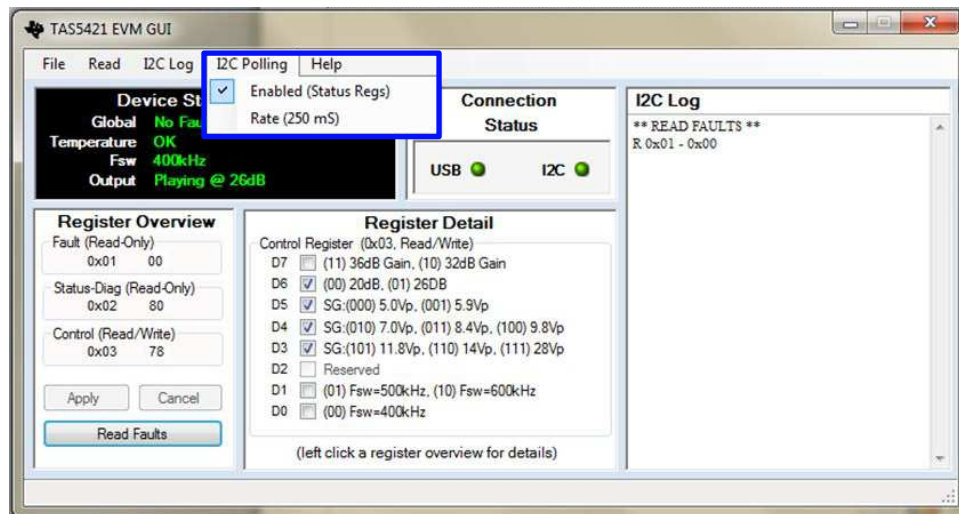


A007

Figure 8. Read and I<sup>2</sup>C Log

#### 4.5 I<sup>2</sup>C Polling

As mentioned above, the I<sup>2</sup>C polling is on when the GUI starts. To disable I<sup>2</sup>C polling, click on I<sup>2</sup>C polling pulldown tab and unselect the check box. The polling time can also be changed as shown in Figure 9.



A008

Figure 9. I<sup>2</sup>C Polling

## 5 Board Layouts, Bill of Materials, and Schematic

### 5.1 TAS5421EVM Board Layouts

Figure 10 and Figure 11 show the board layouts for the EVM.

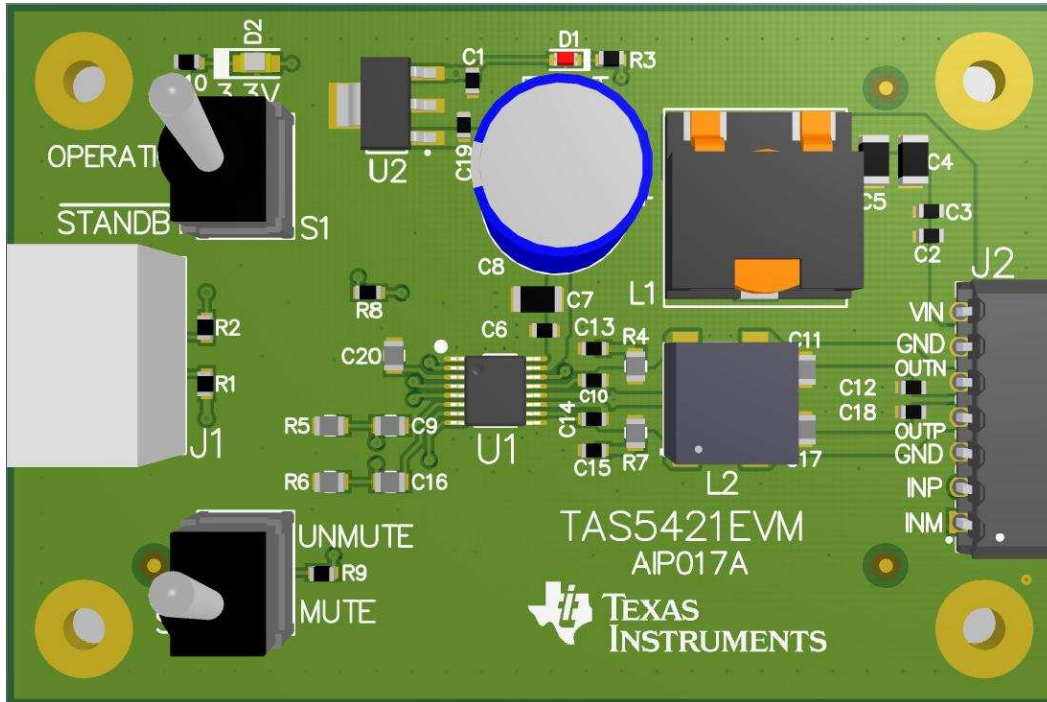
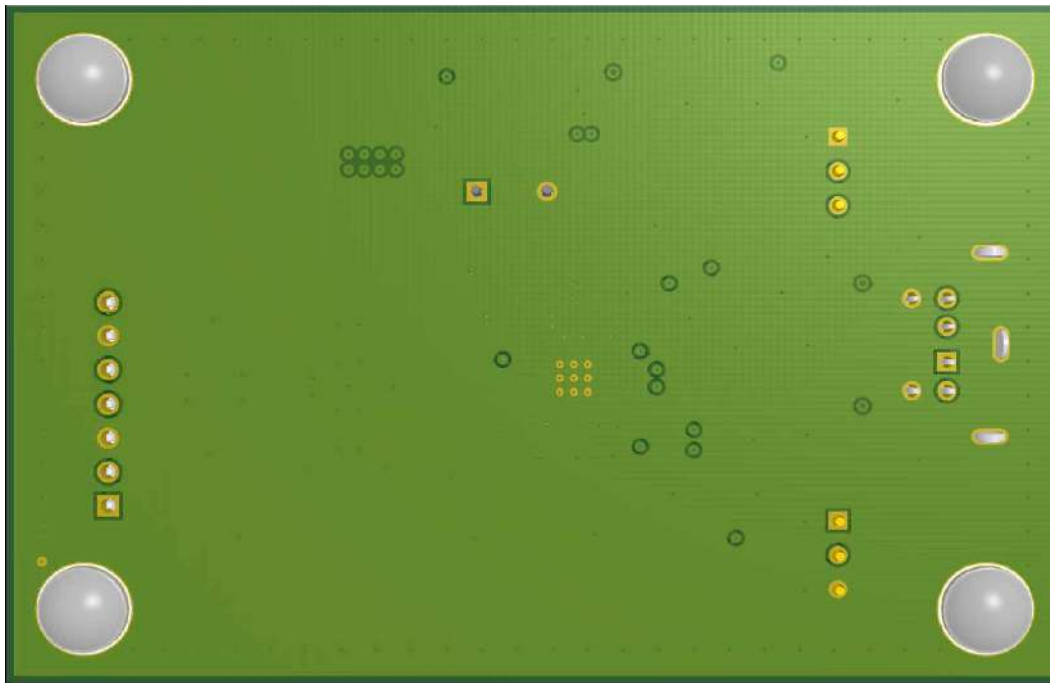


Figure 10. TAS5421EVM Top View



A009

Figure 11. TAS5421EVM Bottom View



## 5.2 Bill of Materials

Table 2 lists the BOM for this EVM.

**Table 2. Bill of Materials**

ITEM	MFR PART NO.	MFR	QTY	REF DESIGNATORS	DESCRIPTION
1	GRM188R71E104KA01D	MuRata	3	C1, C6, C19	Capacitor, ceramic, 0.1- $\mu$ F, 25-V, $\pm$ 10%, X7R, 0603
2	GRM188R71H222KA01D	MuRata	1	C2	Capacitor, ceramic, 2200-pF, 50-V, $\pm$ 10%, X7R, 0603
3	GRM188R71E823KA01D	MuRata	1	C3	Capacitor, ceramic, 0.082- $\mu$ F, 25-V, $\pm$ 10%, X7R, 0603
4	GRM31CR71E475KA88L	MuRata	2	C4, C5	Capacitor, ceramic, 4.7- $\mu$ F, 25-V, $\pm$ 10%, X7R, 1206
5	GRM31CR71E106KA12L	MuRata	1	C7	Capacitor, ceramic, 10- $\mu$ F, 25-V, $\pm$ 10%, X7R, 1206
6	UBT1E331MPD1TD	Nichicon	1	C8	Capacitor, AL, 330- $\mu$ F, 25-V, $\pm$ 20%, 0.075- $\Omega$ , TH
7	GRM21BR71E105KA99L	MuRata	3	C9, C16, C21	Capacitor, ceramic, 1- $\mu$ F, 25-V, $\pm$ 10%, X7R, 0805
8	GRM188R71E224KA88D	MuRata	2	C10, C14	Capacitor, ceramic, 0.22- $\mu$ F, 25-V, $\pm$ 10%, X7R, 0603
9	GRM21BR71E335KA73L	MuRata	2	C11, C17	Capacitor, ceramic, 3.3- $\mu$ F, 25-V, $\pm$ 10%, X7R, 0805
10	GRM188R71E103KA01D	MuRata	2	C12, C18	Capacitor, ceramic, 0.01- $\mu$ F, 25-V, $\pm$ 10%, X7R, 0603
11	GRM188R72E471KW07D	MuRata	2	C13, C15	Capacitor, ceramic, 470-pF, 250-V, $\pm$ 10%, X7R, 0603
12	LTST-C190CKT	Lite-On	1	D1	LED, Red, SMD
13	LTST-C171GKT	Lite-On	1	D2	LED, Green, SMD
14	SJ5382	3M	4	H1, H2, H3, H4	Bumpon, hemisphere, 0.25 $\times$ 0.075, clear
15	MD-60SM	CUI Inc.	1	J1	Receptacle, 6x1_3MH, R/A, TH
16	1778670	Phoenix Contact	1	J2	Header, 7x1, 2.5-mm, TH
17	SER1360-103KLB	Coilcraft	1	L1	Inductor, shielded E core, ferrite, 10- $\mu$ H, 7.2-A, 0.01- $\Omega$ , SMD
18	7G08B-220M-R	Sagami Elec Co Ltd	1	L2	Coupled inductor, 22- $\mu$ H, 3-A, 69- $\Omega$ , $\pm$ 20%, SMD
19	RC0603FR-074K7L	Yageo America	4	R1, R2, R8, R9	Resistor, 4.70 k $\Omega$ , 1%, 0.1-W, 0603
20	CRCW0603499RFKEA	Vishay-Dale	2	R3, R10	Resistor, 499- $\Omega$ , 1%, 0.1-W, 0603
21	CRCW08055R60JNEA	Vishay-Dale	2	R4, R7	Resistor, 5.6- $\Omega$ , 5%, 0.125-W, 0805
22	CRCW080549K9FKEA	Vishay-Dale	2	R5, R6	Resistor, 49.9-k $\Omega$ , 1%, 0.125-W, 0805
23	B12AP	NKK Switches	2	S1, S2	Switch, toggle, SPDT, 28-V
24	TAS5421QPWPRQ1	Texas Instruments	1	U1	10-W mono automotive digital amplifier with diagnostics, PWP0016A
25	UA78M33CDCY	Texas Instruments	1	U2	Positive voltage regulator, DCY0004A

### 5.3 TAS5421EVM Schematic

Figure 12 shows the TAS5421EVM schematic.

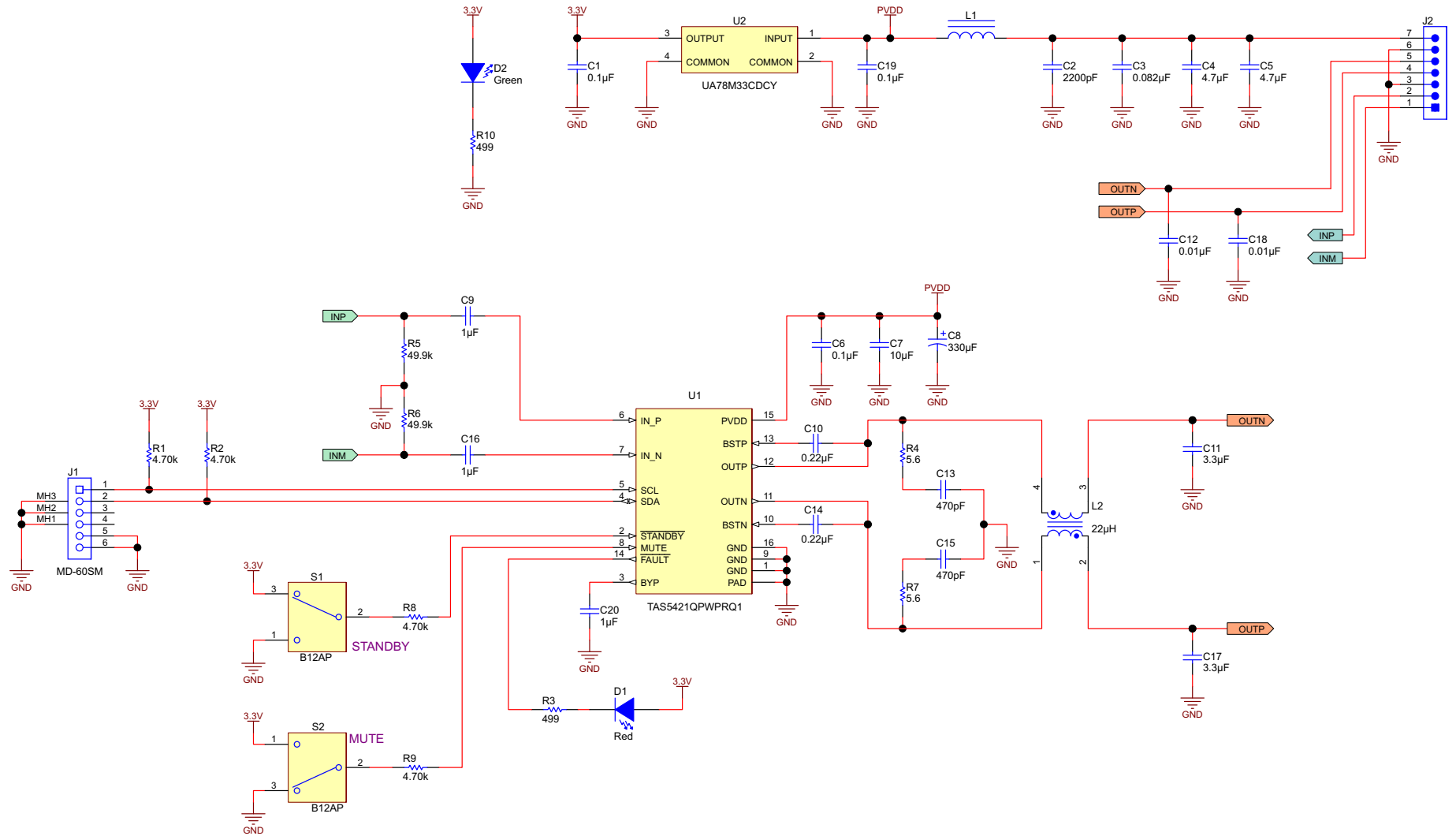


Figure 12. TAS5421EVM Schematic

## IMPORTANT NOTICE

Texas Instruments Incorporated and its subsidiaries (TI) reserve the right to make corrections, enhancements, improvements and other changes to its semiconductor products and services per JESD46, latest issue, and to discontinue any product or service per JESD48, latest issue. Buyers should obtain the latest relevant information before placing orders and should verify that such information is current and complete. All semiconductor products (also referred to herein as "components") are sold subject to TI's terms and conditions of sale supplied at the time of order acknowledgment.

TI warrants performance of its components to the specifications applicable at the time of sale, in accordance with the warranty in TI's terms and conditions of sale of semiconductor products. Testing and other quality control techniques are used to the extent TI deems necessary to support this warranty. Except where mandated by applicable law, testing of all parameters of each component is not necessarily performed.

TI assumes no liability for applications assistance or the design of Buyers' products. Buyers are responsible for their products and applications using TI components. To minimize the risks associated with Buyers' products and applications, Buyers should provide adequate design and operating safeguards.

TI does not warrant or represent that any license, either express or implied, is granted under any patent right, copyright, mask work right, or other intellectual property right relating to any combination, machine, or process in which TI components or services are used. Information published by TI regarding third-party products or services does not constitute a license to use such products or services or a warranty or endorsement thereof. Use of such information may require a license from a third party under the patents or other intellectual property of the third party, or a license from TI under the patents or other intellectual property of TI.

Reproduction of significant portions of TI information in TI data books or data sheets is permissible only if reproduction is without alteration and is accompanied by all associated warranties, conditions, limitations, and notices. TI is not responsible or liable for such altered documentation. Information of third parties may be subject to additional restrictions.

Resale of TI components or services with statements different from or beyond the parameters stated by TI for that component or service voids all express and any implied warranties for the associated TI component or service and is an unfair and deceptive business practice. TI is not responsible or liable for any such statements.

Buyer acknowledges and agrees that it is solely responsible for compliance with all legal, regulatory and safety-related requirements concerning its products, and any use of TI components in its applications, notwithstanding any applications-related information or support that may be provided by TI. Buyer represents and agrees that it has all the necessary expertise to create and implement safeguards which anticipate dangerous consequences of failures, monitor failures and their consequences, lessen the likelihood of failures that might cause harm and take appropriate remedial actions. Buyer will fully indemnify TI and its representatives against any damages arising out of the use of any TI components in safety-critical applications.

In some cases, TI components may be promoted specifically to facilitate safety-related applications. With such components, TI's goal is to help enable customers to design and create their own end-product solutions that meet applicable functional safety standards and requirements. Nonetheless, such components are subject to these terms.

No TI components are authorized for use in FDA Class III (or similar life-critical medical equipment) unless authorized officers of the parties have executed a special agreement specifically governing such use.

Only those TI components which TI has specifically designated as military grade or "enhanced plastic" are designed and intended for use in military/aerospace applications or environments. Buyer acknowledges and agrees that any military or aerospace use of TI components which have **not** been so designated is solely at the Buyer's risk, and that Buyer is solely responsible for compliance with all legal and regulatory requirements in connection with such use.

TI has specifically designated certain components as meeting ISO/TS16949 requirements, mainly for automotive use. In any case of use of non-designated products, TI will not be responsible for any failure to meet ISO/TS16949.

### Products

Audio	<a href="http://www.ti.com/audio">www.ti.com/audio</a>
Amplifiers	<a href="http://amplifier.ti.com">amplifier.ti.com</a>
Data Converters	<a href="http://dataconverter.ti.com">dataconverter.ti.com</a>
DLP® Products	<a href="http://www.dlp.com">www.dlp.com</a>
DSP	<a href="http://dsp.ti.com">dsp.ti.com</a>
Clocks and Timers	<a href="http://www.ti.com/clocks">www.ti.com/clocks</a>
Interface	<a href="http://interface.ti.com">interface.ti.com</a>
Logic	<a href="http://logic.ti.com">logic.ti.com</a>
Power Mgmt	<a href="http://power.ti.com">power.ti.com</a>
Microcontrollers	<a href="http://microcontroller.ti.com">microcontroller.ti.com</a>
RFID	<a href="http://www.ti-rfid.com">www.ti-rfid.com</a>
OMAP Applications Processors	<a href="http://www.ti.com/omap">www.ti.com/omap</a>
Wireless Connectivity	<a href="http://www.ti.com/wirelessconnectivity">www.ti.com/wirelessconnectivity</a>

### Applications

Automotive and Transportation	<a href="http://www.ti.com/automotive">www.ti.com/automotive</a>
Communications and Telecom	<a href="http://www.ti.com/communications">www.ti.com/communications</a>
Computers and Peripherals	<a href="http://www.ti.com/computers">www.ti.com/computers</a>
Consumer Electronics	<a href="http://www.ti.com/consumer-apps">www.ti.com/consumer-apps</a>
Energy and Lighting	<a href="http://www.ti.com/energy">www.ti.com/energy</a>
Industrial	<a href="http://www.ti.com/industrial">www.ti.com/industrial</a>
Medical	<a href="http://www.ti.com/medical">www.ti.com/medical</a>
Security	<a href="http://www.ti.com/security">www.ti.com/security</a>
Space, Avionics and Defense	<a href="http://www.ti.com/space-avionics-defense">www.ti.com/space-avionics-defense</a>
Video and Imaging	<a href="http://www.ti.com/video">www.ti.com/video</a>

### TI E2E Community

[e2e.ti.com](http://e2e.ti.com)