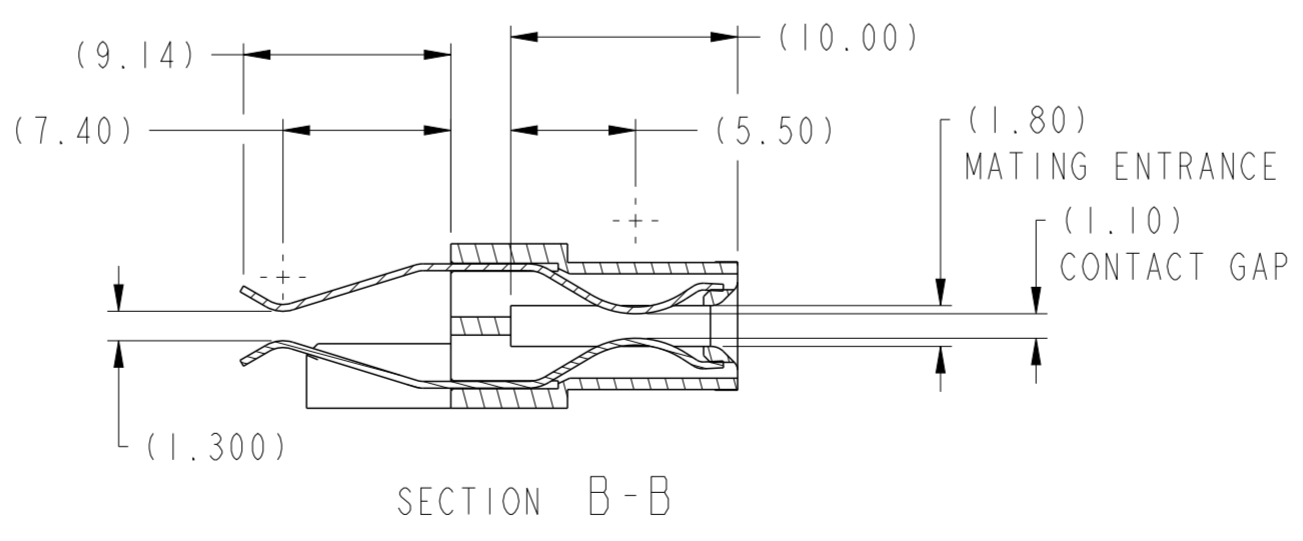
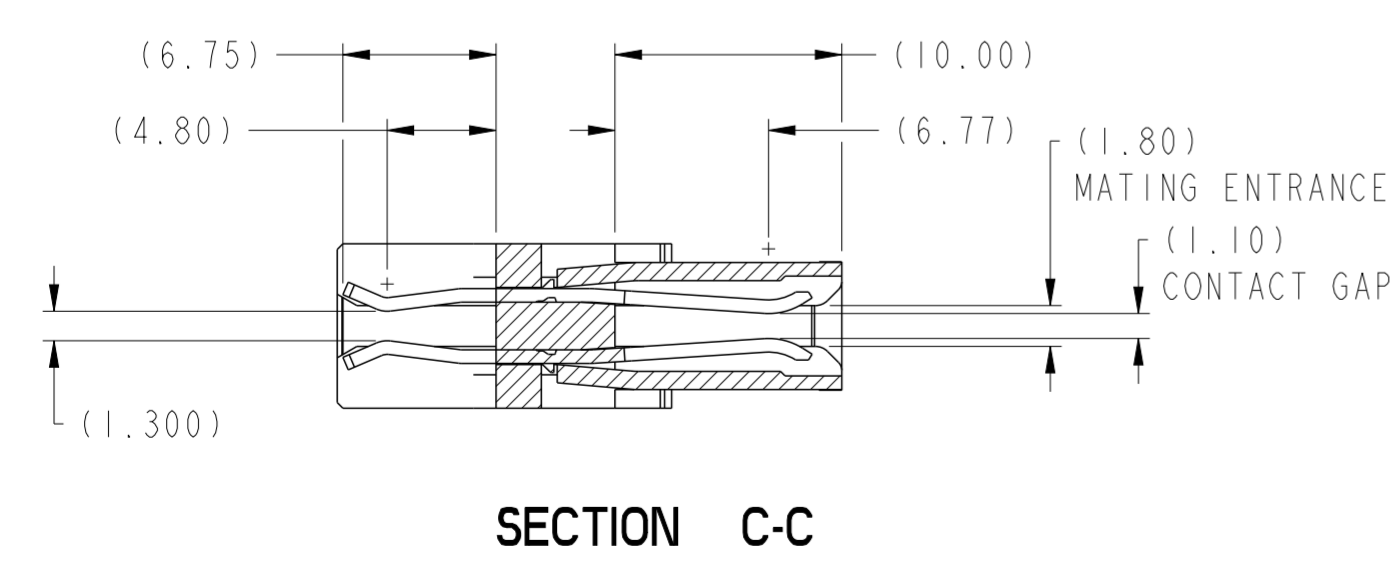
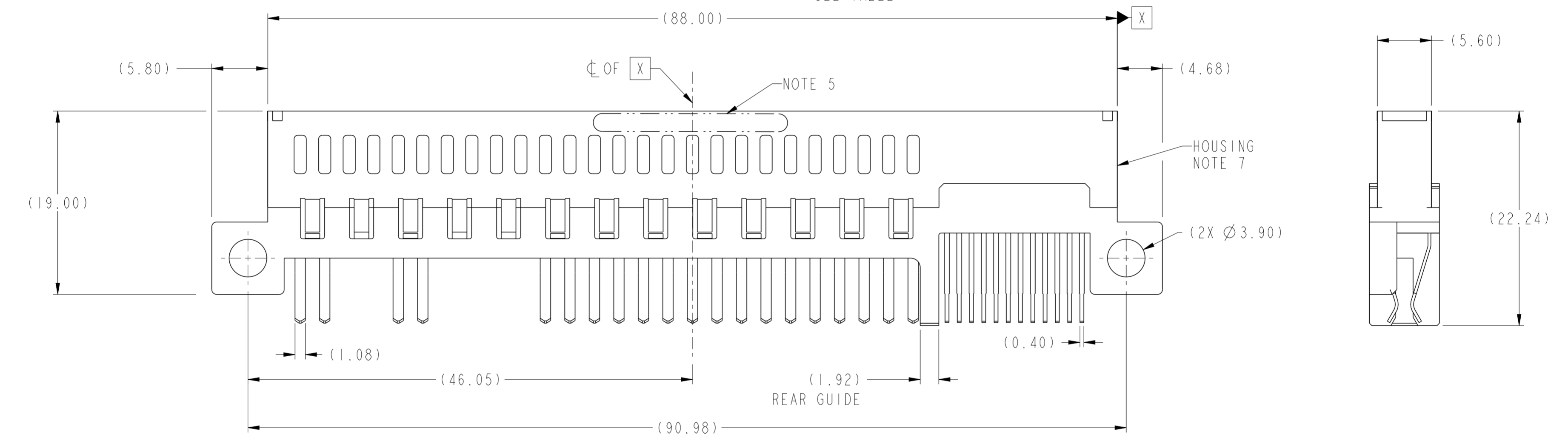
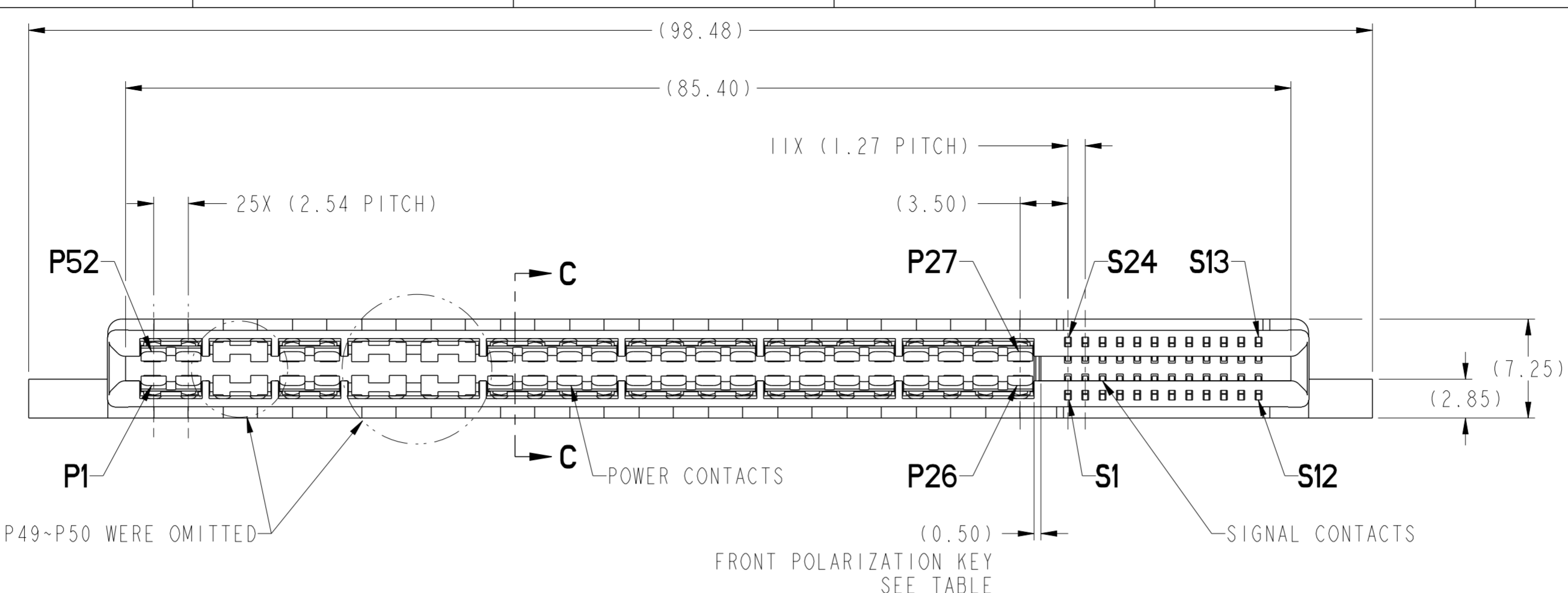


FCI CONFIDENTIAL

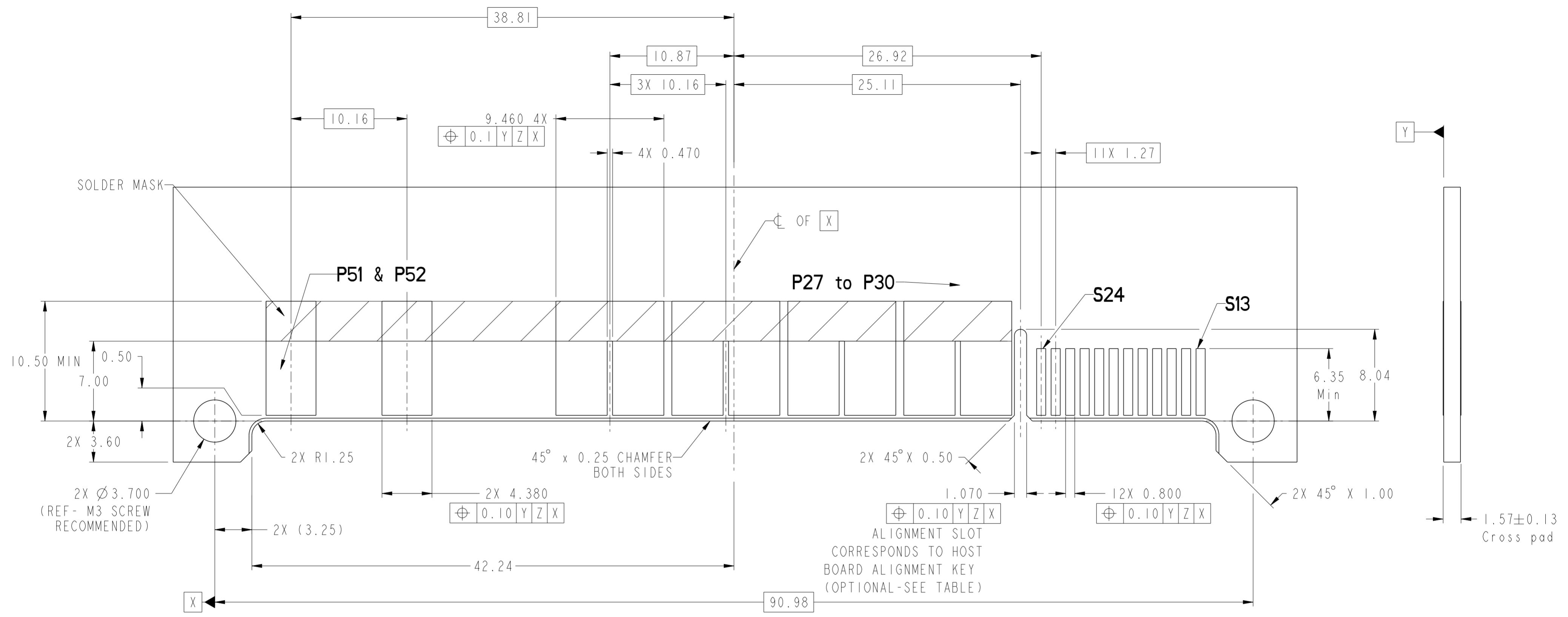


This document is the property of and embodies CONFIDENTIAL and PROPRIETARY information of FCI. No part of the information shown on this document may be used in any way or disclosed to others without the written consent of FCI. Copyright FCI.

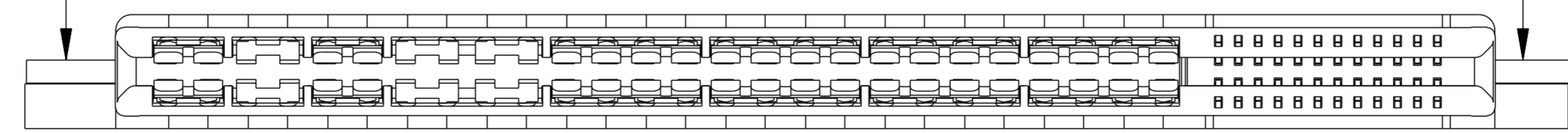


rev	ecn no	dr	date	TOLERANCES UNLESS OTHERWISE SPECIFIED		tolerance std	material	dr	2011/04/20	projection	MM	size	A2	scale	3:1							
A		HZ	2011-07-13	linear	X.	±		eng	Wei-Long Zhang	2011/12/01		ecn no	ELX-DG-008380-1	rel level	Released							
B	ELX-DG-008380-1	HZ	2011-12-01		0.X	±0.3	ASME Y14.5	chr	Eleven Hu	2011/12/09						product family	CARD EDGE					
-	-	-	-		0.XX	±0.10	surface	plating/finish	appr	Pei-Ming Zheng						2011/12/09	model name	RECEPTACLE (52P-24S)	10118039	rev	B	
-	-	-	-		0.XXX	±0.050	ASME Y14.5	spec ref									model revision	B	www.fci.com	cat. no.	Product - Customer Drw	sheet 1 of 4
-	-	-	-		0.XXXX	±		model name														
-	-	-	-	angular	0°	±2°																

FCI CONFIDENTIAL



RECOMMENDED PCB LAYOUT  
AS VIEWED



This document is the property of and embodies CONFIDENTIAL and PROPRIETARY information of FCI. No part of the information shown on this document may be used in any way or disclosed to others without the written consent of FCI. Copyright FCI.

dr	Wei-Long Zhang	2011/04/20	projection	MM	size	A2	scale	3:1
eng	Wei-Long Zhang	2011/12/01			ecn no	ELX-DG-008380-1	rel level	Released
chr	Eleven Hu	2011/12/09						
appr	Pei-Ming Zheng	2011/12/09	product family	CARD EDGE				
		title RECEPTACLE (52P-24S) HPCE - (STRADDLE MOUNT)		dwg no 10118039	rev B			
www.fci.com		cat. no.	-		Product - Customer Drw		sheet 2 of 4	

PDS: Rev :B

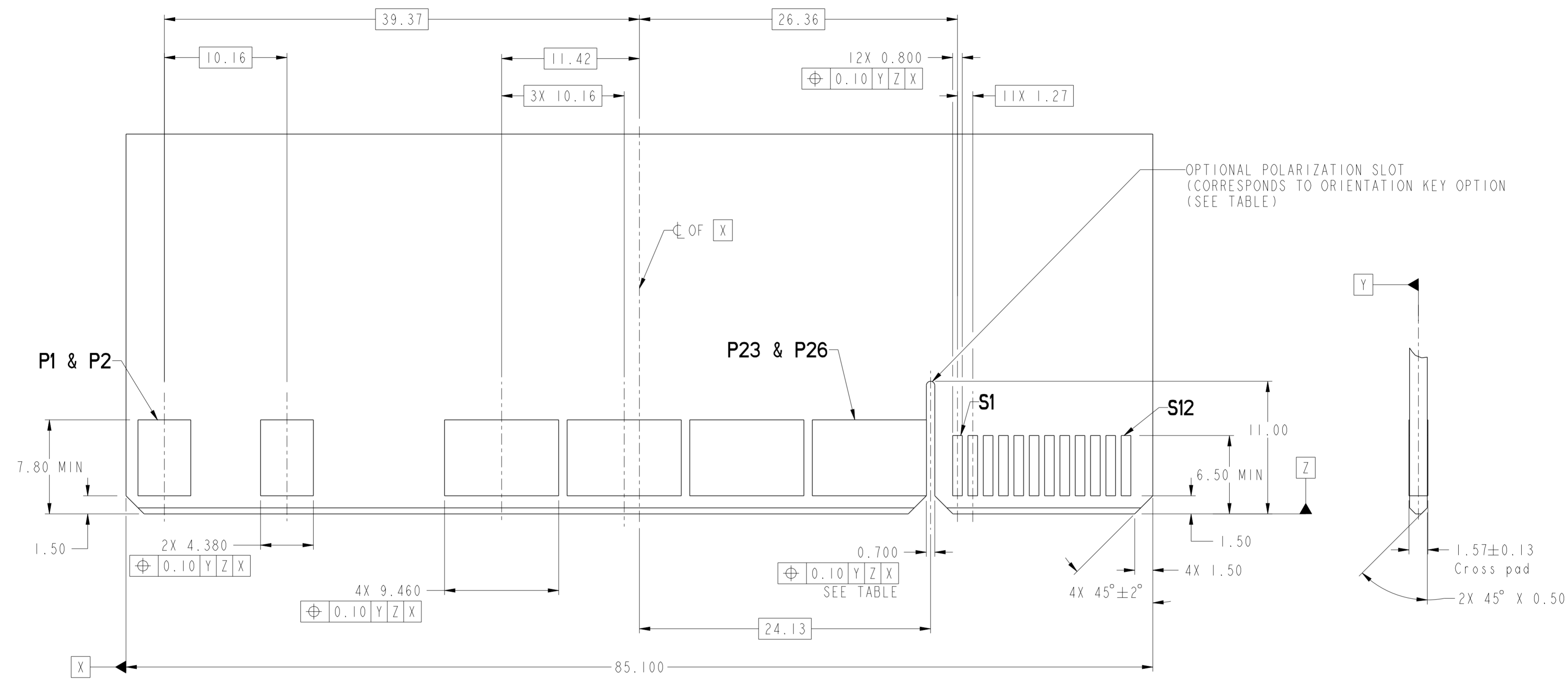
STATUS:Released

Printed: Dec 09, 2011

FCI CONFIDENTIAL



This document is the property of and embodies CONFIDENTIAL and PROPRIETARY information of FCI. No part of the information shown on this document may be used in any way or disclosed to others without the written consent of FCI. Copyright FCI.



### RECOMMENDED MATING BOARD FOOTPRINT

dr	Wei-Long Zhang	2011/04/20	projection	MM	size	A2	scale	4:1
eng	Wei-Long Zhang	2011/12/01			ecn no	ELX-DG-008380-1	rel level	Released
chr	Eleven Hu	2011/12/09						
appr	Pai-Ming Zheng	2011/12/09	product family	CARD EDGE				
		<b>RECEPTACLE (52P-24S)</b> HPCE - (STRADDLE MOUNT)			dwg no 10118039	rev <b>B</b>		
www.fci.com		cat. no.	-		Product - Customer Drw		sheet 3 of 4	

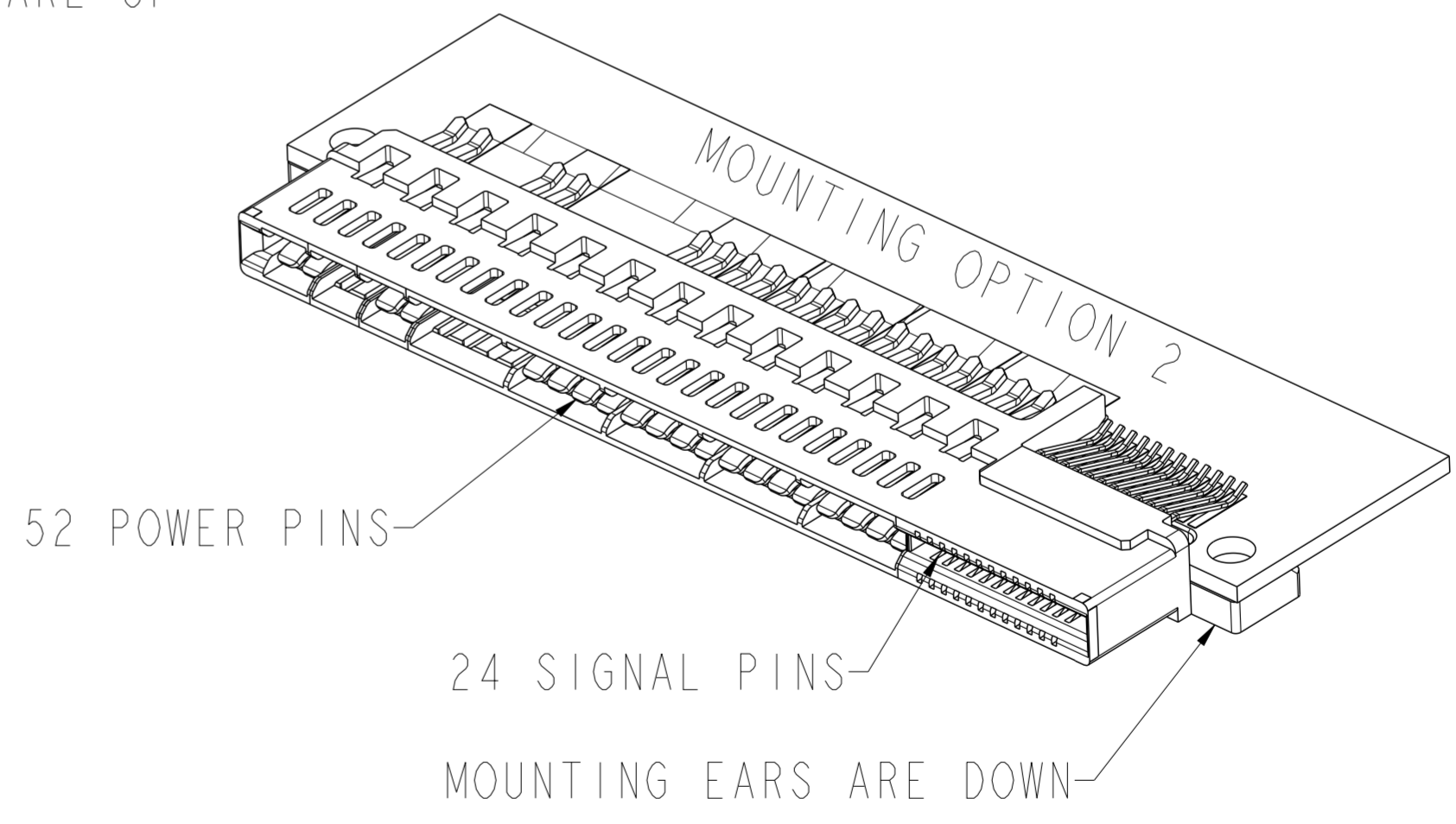
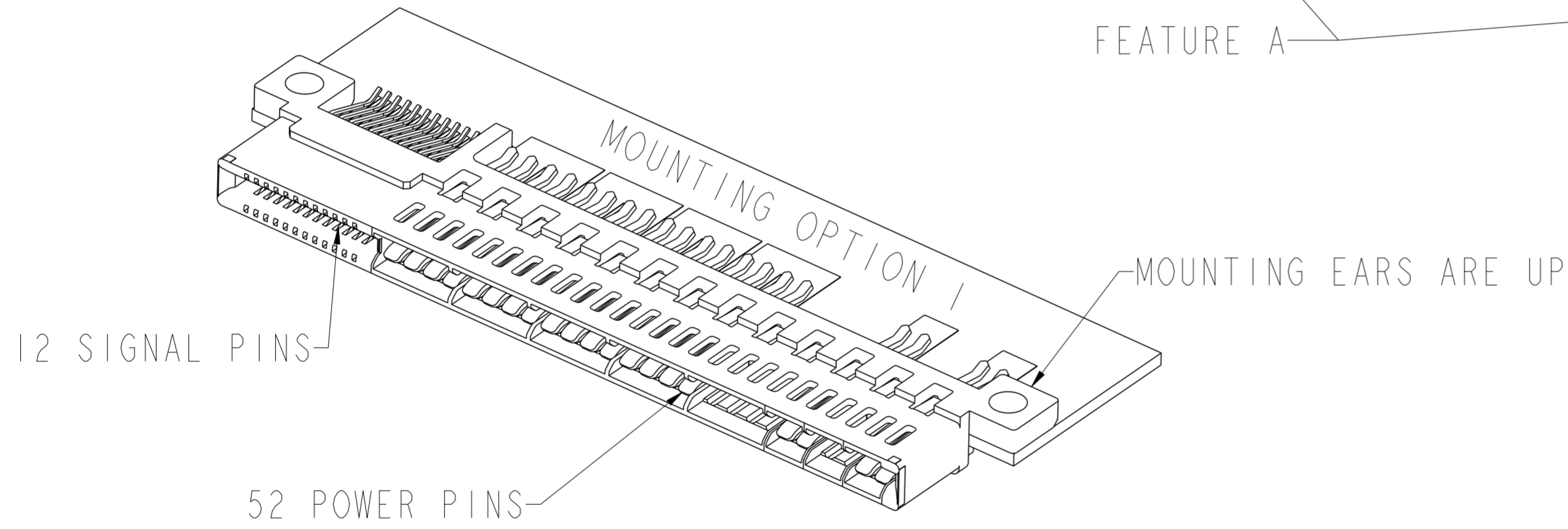
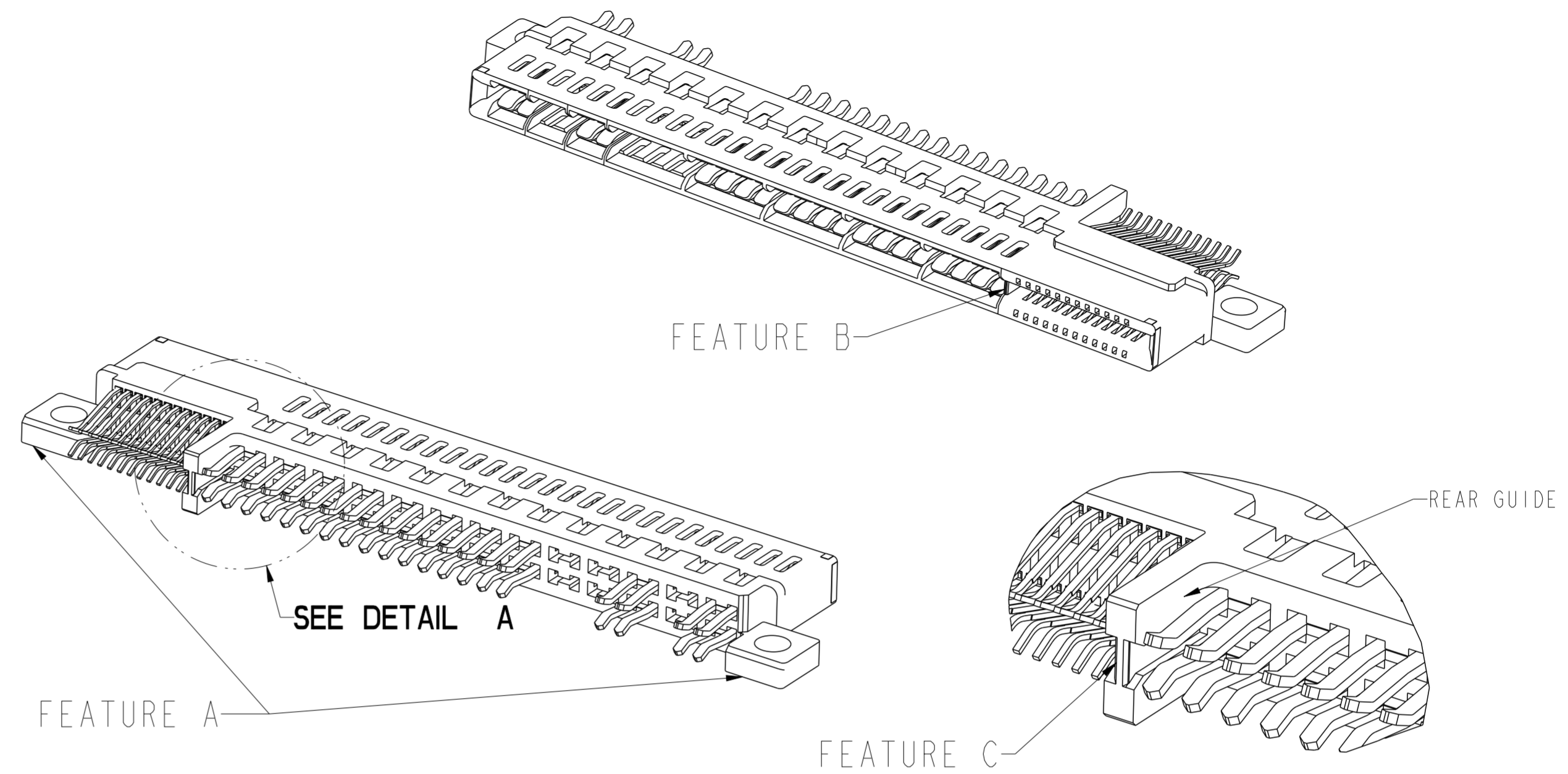
PDS: Rev :B

STATUS:Released

Printed: Dec 09, 2011

FCI CONFIDENTIAL

PART NUMBER	FEATURE C HOST BOARD ALIGNMENT KEY (SEE NOTE 8)	FEATURE A MOUNTING EARS	FEATURE B FRONT POLARIZATION KEY
10118039-001LF	YES	YES	NO
10118039-002LF		YES	YES
10118039-003LF		NO	NO
10118039-004LF		NO	YES
10118039-005LF	NO	YES	NO
10118039-006LF		YES	YES
10118039-007LF		NO	NO
10118039-008LF		NO	YES



DETAIL A  
SCALE 4:1

- NOTES:
- CONNECTOR MATERIALS:  
HOUSING: HIGH TEMPERATURE THERMAL PLASTIC, BLACK  
UL 94V-0 COMPLIANT  
CONTACTS: HIGH PERFORMANCE COPPER ALLOY.
  - CONTACT FINISH REF. GS-12-604 SECTION 5.2.
  - PRODUCT SPECIFICATION: GS-12-604.
  - APPLICATION SPECIFICATION: GS-20-128.
  - PRODUCT MARKING (FCI - PART NUMBER & DATE CODE) ON HOUSING IN AREA SHOWN.
  - PACKAGING MEETS FCI SPECIFICATION GS-14-937.
  - HOUSING COMPONENT WILL WITHSTAND EXPOSURE TO 260°C PEAK TEMPERATURE FOR 60 SECONDS IN A CONVECTION, INFRA-RED, OR VAPOR PHASE REFLOW OVEN.
  - HOST BOARD ALIGNMENT KEY IS RECOMMENDED TO ENSURE PROPER ALIGNMENT OF SOLDER TAILS WITH HOST BOARD PADS.

dr	Wei-Long Zhang	2011/04/20	projection	MM	size	A2	scale	4:1
eng	Wei-Long Zhang	2011/12/01			ecn no	ELX-DG-008380-1	rel level	Released
chr	Eleven Hu	2011/12/09						
appr	Pei-Ming Zheng	2011/12/09	product family	CARD EDGE	cat. no.	10118039	dwg no	10118039
www.fci.com			Product - Customer Drw		sheet 4 of 4		rev B	

This document is the property of and embodies CONFIDENTIAL and PROPRIETARY information of FCI. No part of the information shown on this document may be used in any way or disclosed to others without the written consent of FCI. Copyright FCI.