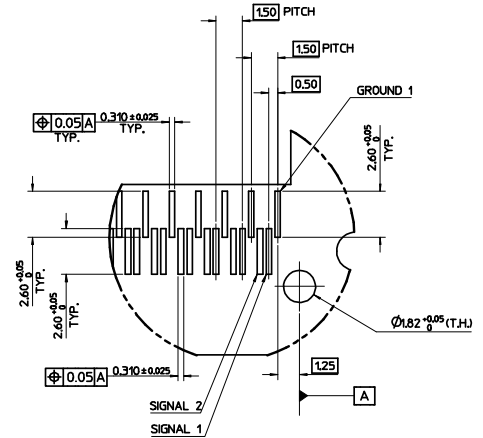
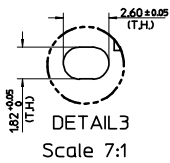
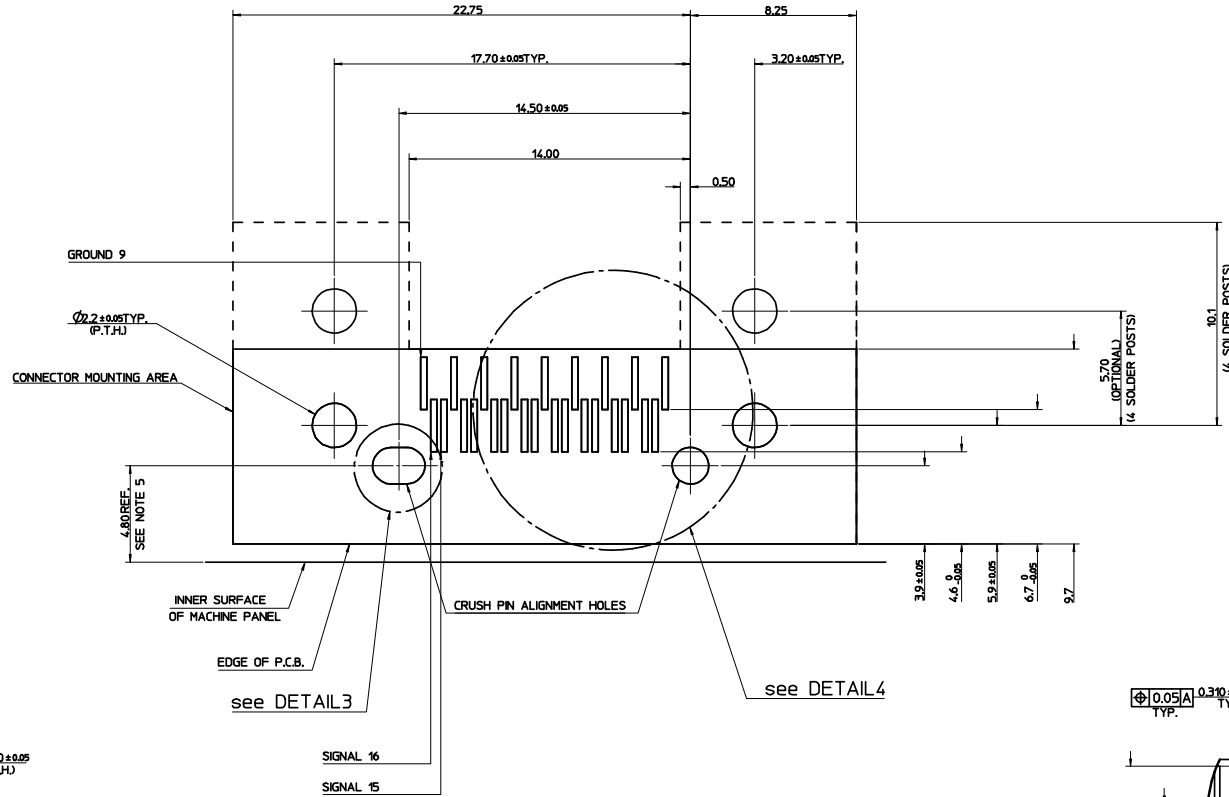


- NOTES:
1. PRODUCT SPECIFICATION PS-91525-001
 2. PACKAGING SPECIFICATION PK-91525-002 (TRAY) AND PK-91525-004 (TAPE AND REEL)
 3. SCREW THREAD M2.0 X 0.4 PITCH TAPPED THROUGH, RECOMMENDED SCREW M2 X 0.4 PITCH, LENGTH 8mm, WITH A PAN HEAD, RECOMMENDED TORQUE 0.3Nm.
 4. CPAP USED TO ALIGN THE SOLDER TAILS WITH THE PCB SOLDER PADS.
 5. RECEPTACLE CONTACTS 127um MIN NICKEL ALL OVER CONTACT AREA 0.10um MIN GOLD OVER 0.76um MIN PALLADIUM NICKEL SMT AREA 3um MIN TIN.
 6. PCB DATUM B = B1 + B2 + B3
 7. PICK AND PLACE AREA FOR VACUUM PICK UP.
 8. FOR 12X PARTS PLEASE REFER TO SD-91525-004.
 9. FOR 4X PARTS WITH FOAM GASKET PLEASE REFER TO SD-91804-001

Mod to sub housing EC NO: E2008-0258 DRAWN BY: KIERMAN CHKD: 2008/05/02 APPR: BMAGUIRE 2008/05/06	QUALITY SYMBOLS	GENERAL TOLERANCES (UNLESS SPECIFIED)	DIMENSION STYLE	SCALE	DESIGN UNITS	THIRD ANGLE PROJECTION
	$\nabla=0$ $\nabla=0$	mm INCH 4 PLACES ± --- ± --- 3 PLACES ± --- ± --- 2 PLACES ± 0.1 ± --- 1 PLACE ± 0.2 ± --- ANGULAR ± 2°	MM ONLY	5:1	METRIC	
	DESCRIPTION LANELINK F CONN 4X LATCH VERSION WITH OPTIONAL EMI SHIELD & MTL GKT	DRAWN BY: SMCREEVEY DATE: 09/03/05 CHECKED BY: KDELANEY DATE: 09/03/05 APPROVED BY: JWALLACE DATE: 09/03/05	MATERIAL NO. SEE SHEET 4&5	DOCUMENT NO. SD-91804-003	MOLEX INCORPORATED	SHEET NO. 1 OF 5

RECOMMENDED PCB LAYOUT
(SHOWING PCB REAR MOUNTING HOLES OPTION)

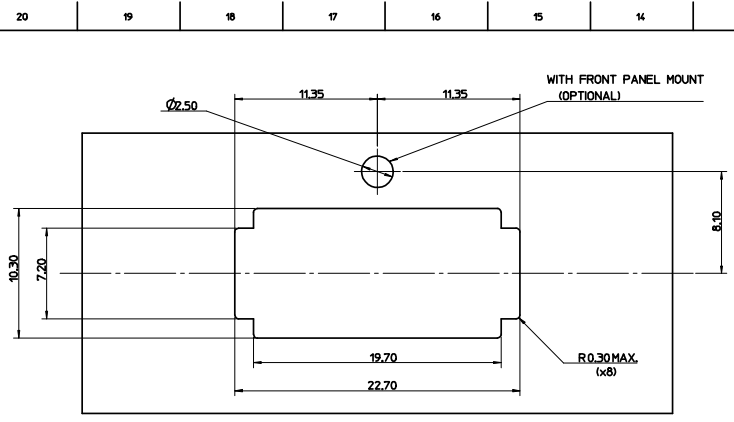


NOTES:

1. AREAS OUTLINED TO BE FREE OF COMPONENTS
2. ALL HOLE SIZES ARE FINISHED HOLE SIZES
3. FOR ANY UNSPECIFIED DIMENSIONS OR NOTES SEE SHEET 1
4. RANGE OF PCB THICKNESSES: 1.6 TO 2.10mm INCLUSIVE.
LONGER SOLDER POSTS AVAILABLE FOR OTHER PCB THICKNESSES.
FOR FURTHER INFORMATION PLEASE CONTACT LOCAL SALES OFFICE.
5. THE DESIGN CAN ACCOMMODATE DIFFERENT VALUES OF THIS DIMENSION
BY VARYING THE EMI GASKET THICKNESS.

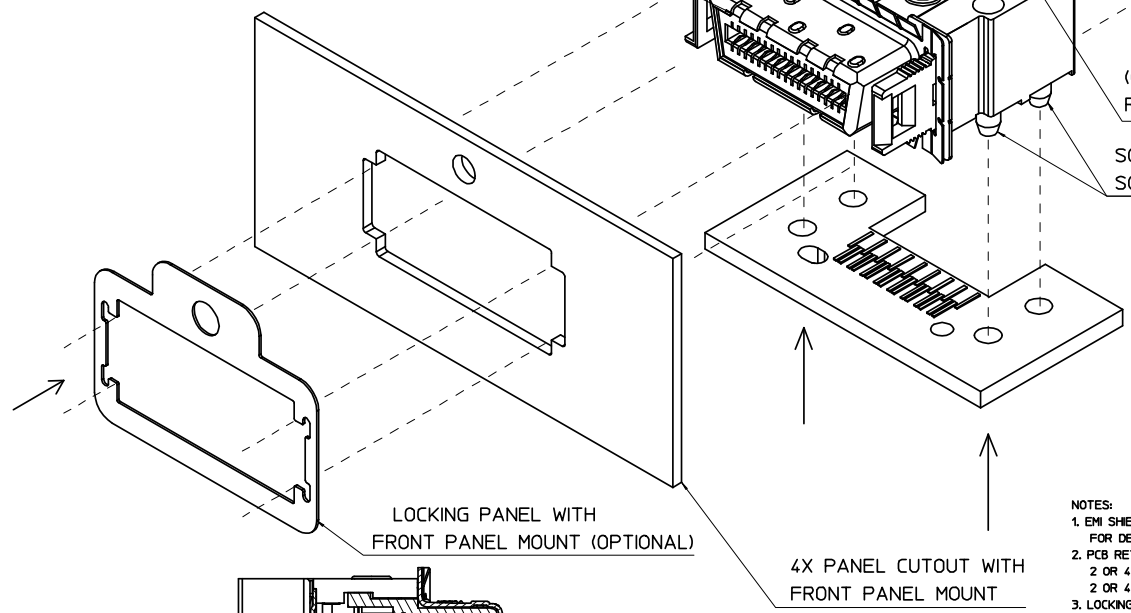
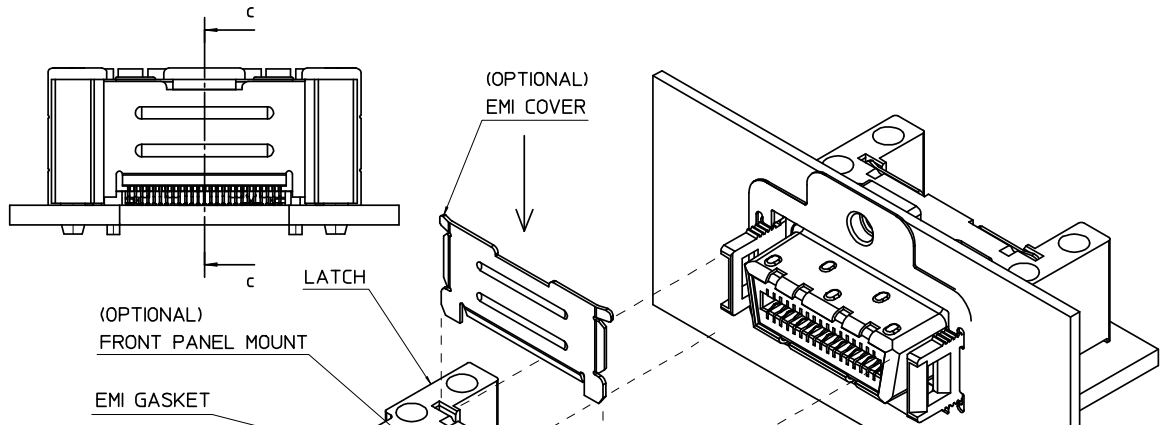
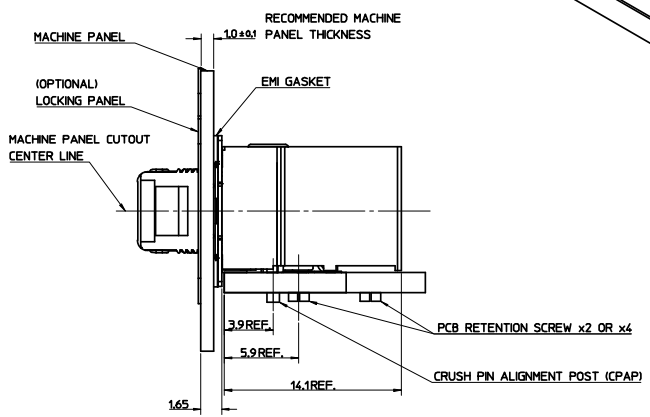
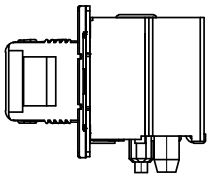
FOR FURTHER INFORMATION PLEASE CONTACT YOUR LOCAL SALES OFFICE

SEE SHEET 1 EC NO: E2008-0458 DRAWN BY: DRWNLK/TERMAN CHKD: 2008/05/02 APPROV: BMAGUIRE 2008/05/06	QUALITY SYMBOLS ▽=0 ▽=0	DESCRIPTION	GENERAL TOLERANCES (UNLESS SPECIFIED)		DIMENSION STYLE		SCALE	DESIGN UNITS	THIRD ANGLE PROJECTION	
			m	INCH	MM ONLY		8:1	METRIC		
			4 PLACES	±	---	±	---	DRAWN BY	DATE	TITLE
3 PLACES	±	---	±	---	SMCGREEVY	09/03/05	LANELINK F CONN 4X LATCH			
2 PLACES	±	0.1	±	---	CHECKED BY	DATE	VERSION WITH OPTIONAL			
1 PLACE	±	0.2	±	---	KDELANEY	09/03/05	EMI SHIELD & MTL GKT			
ANGULAR ± 2 °			APPROVED BY		DATE		DOCUMENT NO.		MATERIAL NO.	
DRAFT WHERE APPLICABLE MUST REMAIN WITHIN DIMENSIONS			JWALLACE		09/03/05		MOLEX INCORPORATED		SD-91804-003	
SEE SHEET 4 & 5			MATERIAL NO.		DATE		MATERIAL NO.		SHEET NO.	
SIZE 1			JWALLACE		09/03/05		SD-91804-003		2 OF 5	
THIS DRAWING CONTAINS INFORMATION THAT IS PROPRIETARY TO MOLEX INCORPORATED AND SHOULD NOT BE USED WITHOUT WRITTEN PERMISSION										



RECOMMENDED 4X PANEL CUTOUT

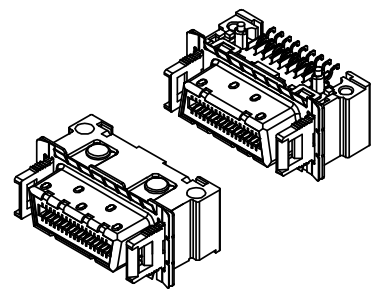
CONNECTOR WITHOUT OPTIONAL FEATURES



- NOTES:
1. EMI SHIELD IS TO BE ASSEMBLED TO CONNECTOR AFTER REFLOW (OPTIONAL) FOR DETAILS OF EMI SHIELD SEE SALES DRAWING SD-91789-001
 2. PCB RETENTION OPTIONS:
2 OR 4 SCREWS, 14 FOR REAR MOUNT OPTIONS
2 OR 4 SOLDER POSTS, 14 FOR REAR MOUNT OPTIONS
 3. LOCKING PANEL (91532) ONE PER CONNECTOR, ORDER SEPERATELY. SEE SALES DRAWING SD-91532-001

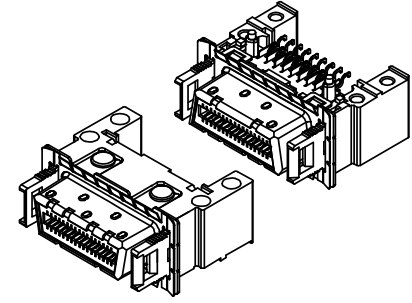
SEE SHEET 1 ELEC NO: E2008-0456 DRAWN BY: DRINKLIERMAN CHKD: 2008/05/02 APPR: BMAGUIRE 2008/05/06	QUALITY SYMBOLS	GENERAL TOLERANCES (UNLESS SPECIFIED)	DIMENSION STYLE	SCALE	DESIGN UNITS	THIRD ANGLE PROJECTION
	$\nabla=0$ $\nabla=0$	mm INCH 4 PLACES ± --- ± --- 3 PLACES ± --- ± --- 2 PLACES ± 0.1 ± --- 1 PLACE ± 0.2 ± --- ANGULAR ± 2°	MM ONLY	5:1	METRIC	
	DESCRIPTION	DRAFT WHERE APPLICABLE MUST REMAIN WITHIN DIMENSIONS	DRAWN BY: SMCREEVY DATE: 09/03/05 CHECKED BY: DATE: 09/03/05 APPROVED BY: DATE: 09/03/05 JWALLACE	TITLE	LANELINK F CONN 4X LATCH VERSION WITH OPTIONAL EMI SHIELD & MTL GKT	
	MATERIAL NO.	SEE SHEET 4&5	DOCUMENT NO.	MOLEX INCORPORATED		SHEET NO.
SIZE	A1	THIS DRAWING CONTAINS INFORMATION THAT IS PROPRIETARY TO MOLEX INCORPORATED AND SHOULD NOT BE USED WITHOUT WRITTEN PERMISSION		SD-91804-003		3 OF 5

4X LATCH I/O	
REAR MOUNTS	NO
PANEL MOUNT	NO
SOLDER POSTS	NO



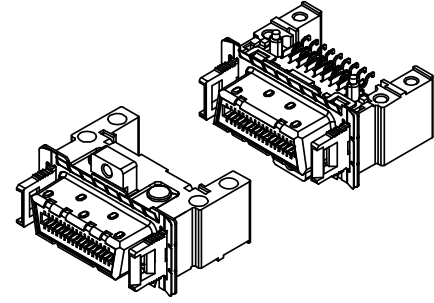
PART NO.	PACKAGING
91804-0411	TRAY
91804-8411	TAPE AND REEL

4X LATCH I/O	
REAR MOUNTS	YES
PANEL MOUNT	NO
SOLDER POSTS	NO



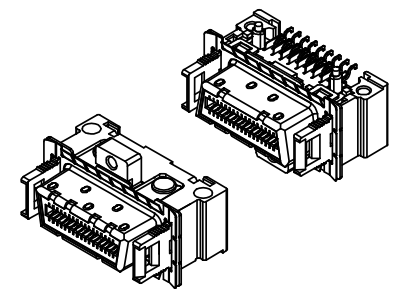
PART NO.	PACKAGING
91804-0413	TRAY
91804-8413	TAPE AND REEL

4X LATCH I/O	
REAR MOUNTS	YES
PANEL MOUNT	YES
SOLDER POSTS	NO



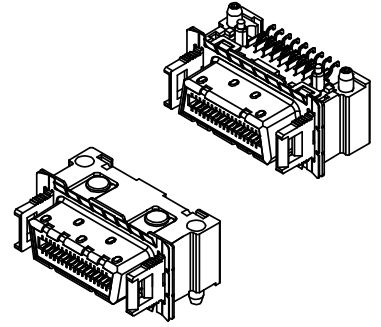
PART NO.	PACKAGING
91804-0415	TRAY
91804-8415	TAPE AND REEL

4X LATCH I/O	
REAR MOUNTS	NO
PANEL MOUNT	YES
SOLDER POSTS	NO



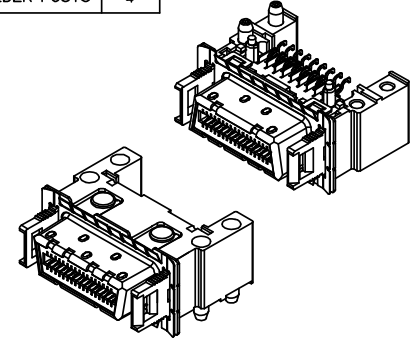
PART NO.	PACKAGING
91804-0417	TRAY
91804-8417	TAPE AND REEL

4X LATCH I/O	
REAR MOUNTS	NO
PANEL MOUNT	NO
SOLDER POSTS	2



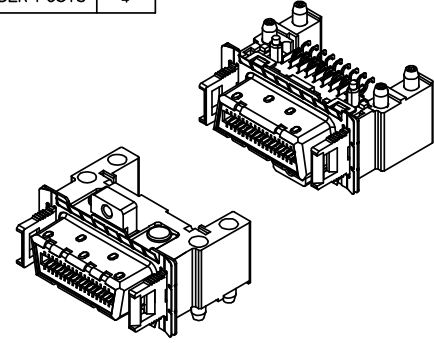
PART NO.	PACKAGING
91804-0451	TRAY
91804-8451	TAPE AND REEL

4X LATCH I/O	
REAR MOUNTS	YES
PANEL MOUNT	NO
SOLDER POSTS	4



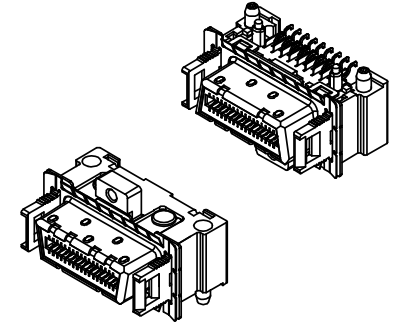
PART NO.	PACKAGING
91804-0453	TRAY
91804-8453	TAPE AND REEL

4X LATCH I/O	
REAR MOUNTS	YES
PANEL MOUNT	YES
SOLDER POSTS	4



PART NO.	PACKAGING
91804-0455	TRAY
91804-8455	TAPE AND REEL

4X LATCH I/O	
REAR MOUNTS	NO
PANEL MOUNT	YES
SOLDER POSTS	2



PART NO.	PACKAGING
91804-0457	TRAY
91804-8457	TAPE AND REEL

NOTES:
 1. REFER TO SHEET 1 FOR ALL UNSPECIFIED DIMENSIONS
 2. REFER TO SHEET 2 FOR PCB LAYOUT
 3. REFER TO SHEET 3 FOR RECOMMENDED ASSEMBLY COMPONENTS AND DIMENSIONS
 4. FOR 12X PARTS PLEASE REFER TO SD-91525-004

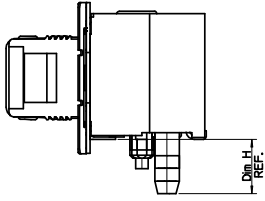
SEE SHEET 1
 EC NO: E2008-0428
 2008/04/28
 DRAWN BY: DRINKLIERMAN
 2008/05/02
 CHKD:
 APPROVED BY: APPROBAGUIRE
 2008/05/06

QUALITY SYMBOLS
▽=0
▽=0
DESCRIPTION

GENERAL TOLERANCES (UNLESS SPECIFIED)		
	mm	
	INCH	
4 PLACES	± .005	± .0005
3 PLACES	± .005	± .0005
2 PLACES	± .01	± .001
1 PLACE	± .02	± .002
ANGULAR ± 2°		
DRAFT WHERE APPLICABLE MUST REMAIN WITHIN DIMENSIONS		

DIMENSION STYLE	
MM ONLY	
SCALE	3:1
DESIGN UNITS	METRIC
THIRD ANGLE PROJECTION	
TITLE	
LANELINK F CONN 4X LATCH VERSION WITH OPTIONAL EMI SHIELD & MTL GKT	
MATERIAL NO. SD-91804-003	
DOCUMENT NO. SD-91804-003	
SHEET 1	
THIS DRAWING CONTAINS INFORMATION THAT IS PROPRIETARY TO MOLEX INCORPORATED AND SHOULD NOT BE USED WITHOUT WRITTEN PERMISSION	

SOLDER POST LENGTH OPTIONS

	NO SOLDER POSTS	TRAY	91804-0411	91804-0413	91804-0415	91804-0417
		TAPE & REEL	91804-8411	91804-8413	91804-8415	91804-8417
Dim H = 2.3		TRAY	91804-0451	91804-0453	91804-0455	91804-0457
		TAPE & REEL	91804-8451	91804-8453	91804-8455	91804-8457
Dim H = 3.3		TRAY	91804-0461	91804-0463	91804-0465	91804-0467
		TAPE & REEL	91804-8461	91804-8463	91804-8465	91804-8467
Dim H = 4.3		TRAY	91804-0491	91804-0493	91804-0495	91804-0497
		TAPE & REEL	91804-8491	91804-8493	91804-8495	91804-8497

SEE SHEET 1 EC NO: E2008-0236 DRAWN BY: DRWNLK/TERMAN CHKD: 2008/05/02 APPR: BMAGUIRE 2008/05/06	QUALITY SYMBOLS ▽=0 ▽=0	GENERAL TOLERANCES (UNLESS SPECIFIED) mm INCH 4 PLACES ± --- ± --- 3 PLACES ± --- ± --- 2 PLACES ± 0.1 ± --- 1 PLACE ± 0.2 ± --- ANGULAR ± 2°	DIMENSION STYLE MM ONLY	SCALE 3:1	DESIGN UNITS METRIC	THIRD ANGLE PROJECTION
	DRAWN BY: SMCGREEVY DATE: 09/03/05 CHECKED BY: KDELANEY DATE: 09/03/05 APPROVED BY: JWALLACE DATE: 09/03/05	TITLE LANELINK F CONN 4X LATCH VERSION WITH OPTIONAL EMI SHIELD & MTL GKT	MATERIAL NO. SEE SHEET 4&5	DOCUMENT NO. SD-91804-003	SHEET NO. 5 OF 5	
	DRAFT WHERE APPLICABLE MUST REMAIN WITHIN DIMENSIONS					
	THIS DRAWING CONTAINS INFORMATION THAT IS PROPRIETARY TO MOLEX INCORPORATED AND SHOULD NOT BE USED WITHOUT WRITTEN PERMISSION					