

THIS DRAWING IS UNPUBLISHED. RELEASED FOR PUBLICATION
 © COPYRIGHT - By - ALL RIGHTS RESERVED.

LOC	DIST	REVISIONS					
FT	0	P	LTR	DESCRIPTION	DATE	DWN	APVD
		B2		REVISED PER ECO-13-001940	01OCT2013	KH	MB

NOTES:

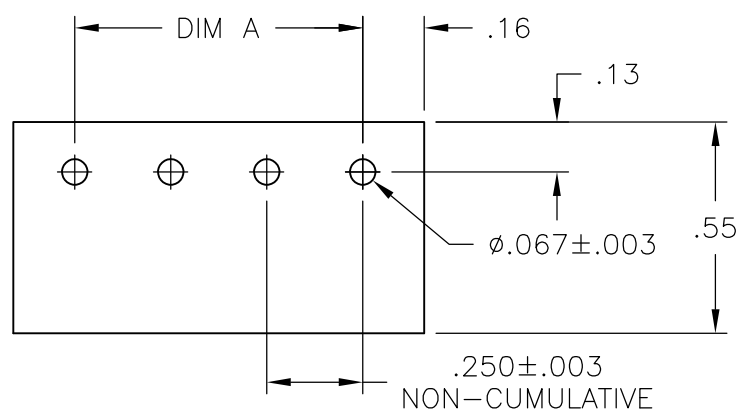
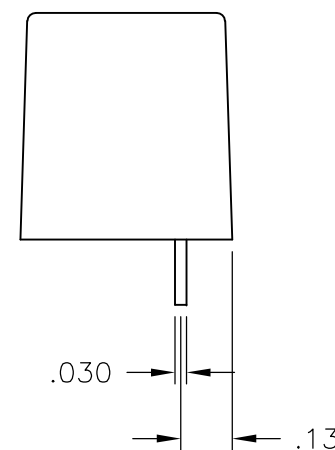
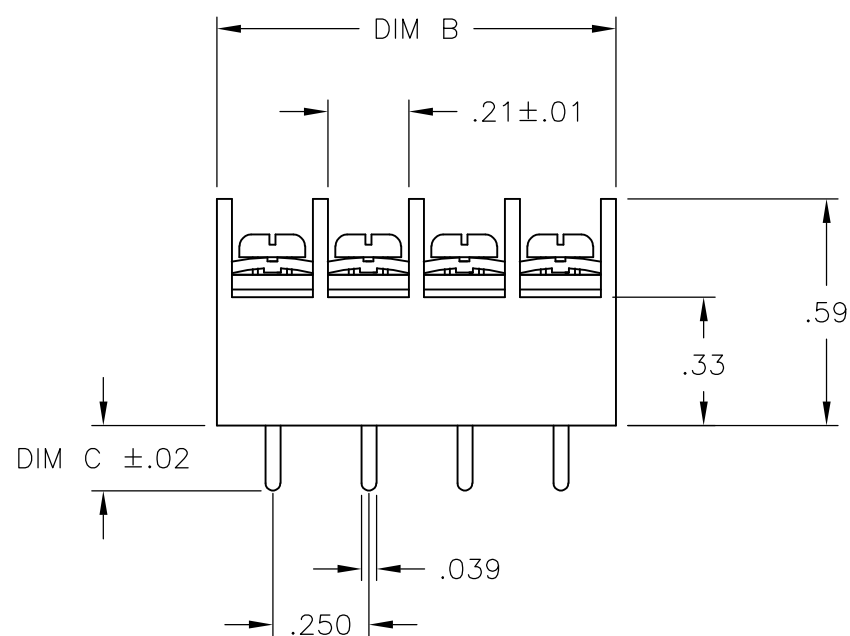
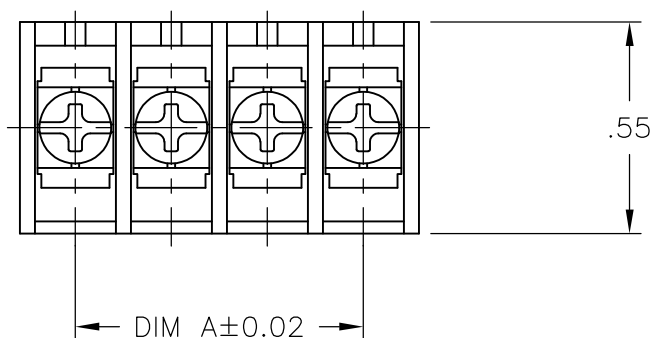
MATERIAL:
 TERMINAL BLOCK: POLYAMIDE 66, UL94V-0, BLACK.
 TERMINAL: BRASS, TIN PLATED.
 SCREW: M3 STEEL, NICKEL PLATED W/ WIRE CLAMP.

ELECTRICAL:
 CURRENT RATING: 10A, 300V
 INSULATION WITHSTANDS: 2000V, MIN
 INSULATION RESISTANCE: >2000MEGA OHM, 500V

MECHANICAL:
 WIRE RANGE: 16-30AWG
 RECOMMENDED TORQUE: 10 IN-LB
 OPERATION TEMP: -40°C TO 105°C

UL RECOGNIZED PER US & CANADIAN STANDARDS.

1 PRELIMINARY NUMBER



RECOMMENDED PCB LAYOUT

# POS	DIM C	DIM B	DIM A	PART NUMBER
2	.12	.54	.250	3-1546657-1
30	.17	7.54	7.250	3-1546657-0
29	.17	7.29	7.000	2-1546657-9
28	.17	7.04	6.750	2-1546657-8
27	.17	6.79	6.500	2-1546657-7
26	.17	6.54	6.250	2-1546657-6
25	.17	6.29	6.000	2-1546657-5
24	.17	6.04	5.750	2-1546657-4
23	.17	5.79	5.500	2-1546657-3
22	.17	5.54	5.250	2-1546657-2
21	.17	5.29	5.000	2-1546657-1
20	.17	5.04	4.750	2-1546657-0
19	.17	4.79	4.500	1-1546657-9
18	.17	4.54	4.250	1-1546657-8
17	.17	4.29	4.000	1-1546657-7
16	.17	4.04	3.750	1-1546657-6
15	.17	3.79	3.500	1-1546657-5
14	.17	3.54	3.250	1-1546657-4
13	.17	3.29	3.000	1-1546657-3
12	.17	3.04	2.750	1-1546657-2
11	.17	2.79	2.500	1-1546657-1
10	.17	2.54	2.250	1-1546657-0
9	.17	2.29	2.000	1546657-9
8	.17	2.04	1.750	1546657-8
7	.17	1.79	1.500	1546657-7
6	.17	1.54	1.250	1546657-6
5	.17	1.29	1.000	1546657-5
4	.17	1.04	.750	1546657-4
3	.17	.79	.500	1546657-3
2	.17	.54	.250	1546657-2

THIS DRAWING IS A CONTROLLED DOCUMENT.

DIMENSIONS: INCHES	TOLERANCES UNLESS OTHERWISE SPECIFIED:	DWN S SCHLEGEL 30MAY03	TE Connectivity NAME TERMINAL BLOCK, .250 PITCH, DUAL BARRIER PCV STYLE
	0 PLC ± -	CHK S YODER 5/30/03	
	1 PLC ± -	APVD S YODER 5/30/03	
	2 PLC ± .02	PRODUCT SPEC	
MATERIAL	FINISH	APPLICATION SPEC	SIZE A3
		WEIGHT -	CAGE CODE 00779
			DRAWING NO C-1546657
			RESTRICTED TO -
			SCALE 2:1
			SHEET 1 OF 1
			REV B2

CUSTOMER DRAWING