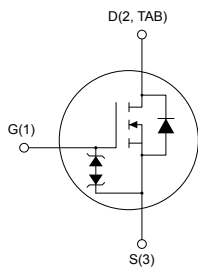
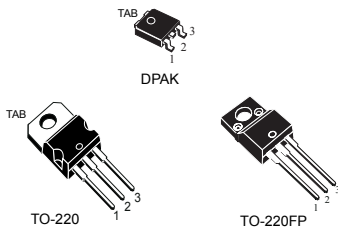


N-channel 500 V, 0.24 Ω typ., 13 A MDmesh™ M2 Power MOSFETs in DPAK, TO-220FP and TO-220 packages



AM01475V1



Features

Order code	V_{DS} at T_J max.	$R_{DS(on)}$ max.	I_D	Packages
STD16N50M2	550 V	0.28 Ω	13 A	DPAK
STF16N50M2				TO-220FP
STP16N50M2				TO-220

- Extremely low gate charge
- Excellent output capacitance (C_{OSS}) profile
- 100% avalanche tested
- Zener-protected

Applications

- Switching applications

Description

These devices are N-channel Power MOSFETs developed using the MDmesh™ M2 technology. Thanks to their strip layout and improved vertical structure, these devices exhibit low on-resistance and optimized switching characteristics, rendering them suitable for the most demanding high-efficiency converters.

Product status link

[STD16N50M2](#)
[STF16N50M2](#)
[STP16N50M2](#)

1 Electrical ratings

Table 1. Absolute maximum ratings

Symbol	Parameter	Value			Unit
		DPAK	TO-220	TO-220FP	
V_{GS}	Gate-source voltage	±25			V
I_D	Drain current (continuous) at $T_C = 25\text{ °C}$	13			A
I_D	Drain current (continuous) at $T_C = 100\text{ °C}$	8			A
$I_{DM}^{(1)}$	Drain current (pulsed)	52			A
P_{TOT}	Total power dissipation at $T_C = 25\text{ °C}$	110		25	W
$dv/dt^{(2)}$	Peak diode recovery voltage slope	15			V/ns
$dv/dt^{(3)}$	MOSFET dv/dt ruggedness	50			V/ns
V_{ISO}	Insulation withstand voltage (RMS) from all three leads to external heat sink ($t = 1\text{ s}$, $T_C = 25\text{ °C}$)	2500			V
T_{stg}	Storage temperature range	-55 to 150			°C
T_j	Operating junction temperature range				

1. Pulse width is limited by safe operating area.
2. $I_{SD} \leq 13\text{ A}$, $di/dt \leq 400\text{ A}/\mu\text{s}$, $V_{DS\ peak} < V_{(BR)DSS}$, $V_{DD} = 80\% V_{(BR)DSS}$
3. $V_{DS} \leq 400\text{ V}$

Table 2. Thermal data

Symbol	Parameter	Value			Unit
		DPAK	TO-220	TO-220FP	
$R_{thj-case}$	Thermal resistance junction-case	1.14			°C/W
$R_{thj-amb}$	Thermal resistance junction-ambient	62.5			
$R_{thj-pcb}^{(1)}$	Thermal resistance junction-pcb	50			

1. When mounted on 1 inch² FR-4, 2 Oz copper board.

Table 3. Avalanche characteristics

Symbol	Parameter	Value	Unit
I_{AR}	Avalanche current, repetitive or non-repetitive (pulse width limited by T_{jmax})	4	A
E_{AS}	Single pulse avalanche energy (starting $T_j = 25\text{ °C}$, $I_D = I_{AR}$, $V_{DD} = 50\text{ V}$)	215	mJ

2 Electrical characteristics

($T_C = 25\text{ °C}$ unless otherwise specified).

Table 4. On /off states

Symbol	Parameter	Test conditions	Min.	Typ.	Max.	Unit
$V_{(BR)DSS}$	Drain-source breakdown voltage	$V_{GS} = 0\text{ V}, I_D = 1\text{ mA}$	500			V
I_{DSS}	Zero gate voltage drain current	$V_{GS} = 0\text{ V}, V_{DS} = 500\text{ V}$			1	μA
		$V_{GS} = 0\text{ V}, V_{DS} = 500\text{ V}, T_C = 125\text{ °C}$			100	μA
I_{GSS}	Gate-body leakage current	$V_{DS} = 0\text{ V}, V_{GS}^{(1)} = \pm 25\text{ V}$			± 10	μA
$V_{GS(th)}$	Gate threshold voltage	$V_{DS} = V_{GS}, I_D = 250\text{ }\mu\text{A}$	2	3	4	V
$R_{DS(on)}$	Static drain-source on-resistance	$V_{GS} = 10\text{ V}, I_D = 6.5\text{ A}$		0.24	0.28	Ω

1. Defined by design, not subject to production test

Table 5. Dynamic

Symbol	Parameter	Test conditions	Min.	Typ.	Max.	Unit
C_{iss}	Input capacitance	$V_{DS} = 100\text{ V}, f = 1\text{ MHz}, V_{GS} = 0\text{ V}$	-	710	-	pF
C_{oss}	Output capacitance		-	44	-	pF
C_{rss}	Reverse transfer capacitance		-	1.35	-	pF
$C_{oss\ eq.}^{(1)}$	Equivalent output capacitance	$V_{DS} = 0\text{ V to } 400\text{ V}, V_{GS} = 0\text{ V}$	-	192	-	pF
R_G	Intrinsic gate resistance	$f = 1\text{ MHz}, I_D = 0\text{ A}$	-	5.2	-	Ω
Q_g	Total gate charge	$V_{DD} = 400\text{ V}, I_D = 13\text{ A}, V_{GS} = 0\text{ to } 10\text{ V}$ (see Figure 18. Test circuit for gate charge behavior)	-	19.5	-	nC
Q_{gs}	Gate-source charge		-	4	-	nC
Q_{gd}	Gate-drain charge		-	8	-	nC

1. $C_{oss\ eq.}$ is defined as a constant equivalent capacitance giving the same charging time as C_{oss} when V_{DS} increases from 0 to 80% V_{DSS} .

Table 6. Switching times

Symbol	Parameter	Test conditions	Min.	Typ.	Max.	Unit
$t_{d(on)}$	Turn-on delay time	$V_{DD} = 250\text{ V}, I_D = 6.5\text{ A}, R_G = 4.7\text{ }\Omega, V_{GS} = 10\text{ V}$ (see Figure 17. Test circuit for resistive load switching times and Figure 22. Switching time waveform)	-	9.6	-	ns
t_r	Rise time		-	7.6	-	ns
$t_{d(off)}$	Turn-off-delay time		-	32	-	ns
t_f	Fall time		-	10	-	ns

Table 7. Source-drain diode

Symbol	Parameter	Test conditions	Min.	Typ.	Max.	Unit
I_{SD}	Source-drain current		-		13	A
$I_{SDM}^{(1)}$	Source-drain current (pulsed)		-		52	A
$V_{SD}^{(2)}$	Forward on voltage	$V_{GS} = 0\text{ V}$, $I_{SD} = 13\text{ A}$	-		1.6	V
t_{rr}	Reverse recovery time	$I_{SD} = 13\text{ A}$, $di/dt = 100\text{ A}/\mu\text{s}$, $V_{DD} = 60\text{ V}$ (see Figure 19. Test circuit for inductive load switching and diode recovery times)	-	280		ns
Q_{rr}	Reverse recovery charge		-	2.85		μC
I_{RRM}	Reverse recovery current		-	20.5		A
t_{rr}	Reverse recovery time	$I_{SD} = 13\text{ A}$, $di/dt = 100\text{ A}/\mu\text{s}$, $V_{DD} = 60\text{ V}$, $T_j = 150\text{ }^\circ\text{C}$ (see Figure 19. Test circuit for inductive load switching and diode recovery times)	-	388		ns
Q_{rr}	Reverse recovery charge		-	4.5		μC
I_{RRM}	Reverse recovery current		-	21		A

1. Pulse width is limited by safe operating area.

2. Pulse test: pulse duration = 300 μs , duty cycle 1.5%.

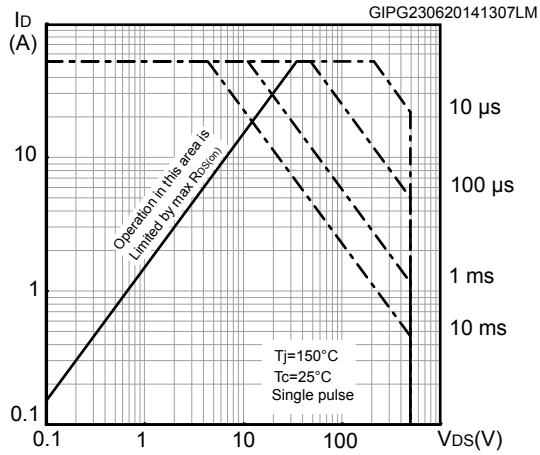
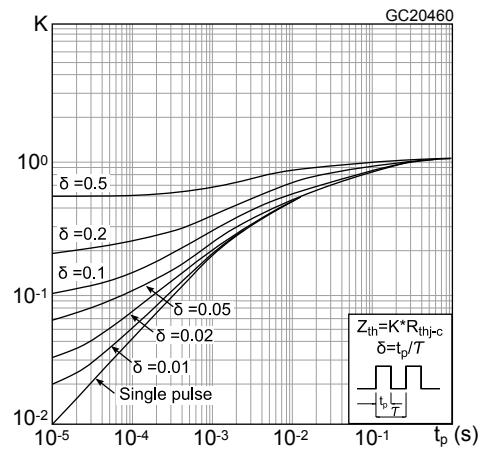
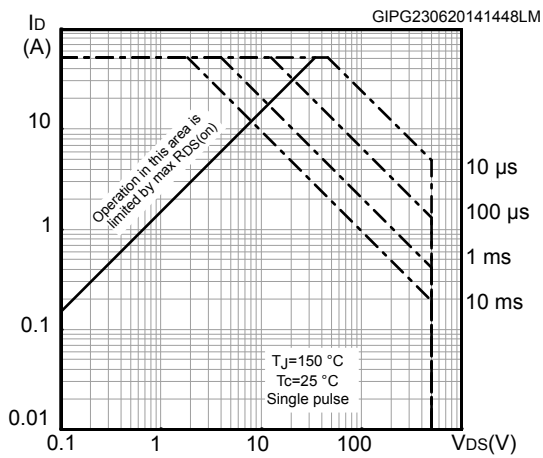
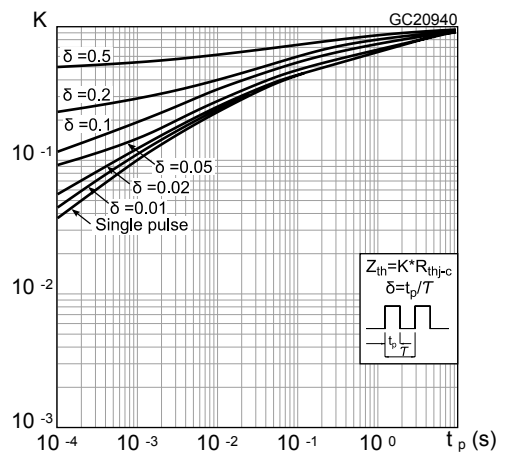
2.1 Electrical characteristics (curves)
Figure 1. Safe operating area for DPAK

Figure 2. Thermal impedance for DPAK

Figure 3. Safe operating area for TO-220FP

Figure 4. Thermal impedance for TO-220FP


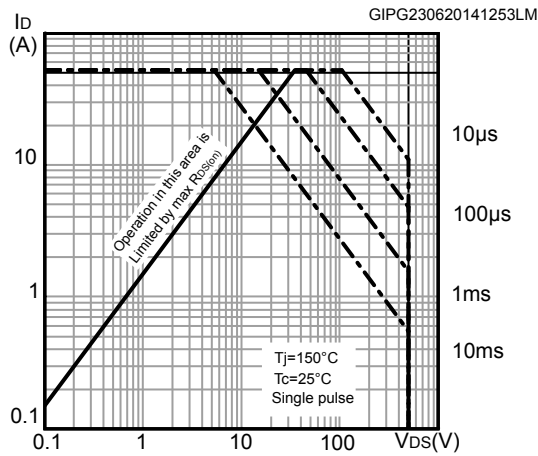
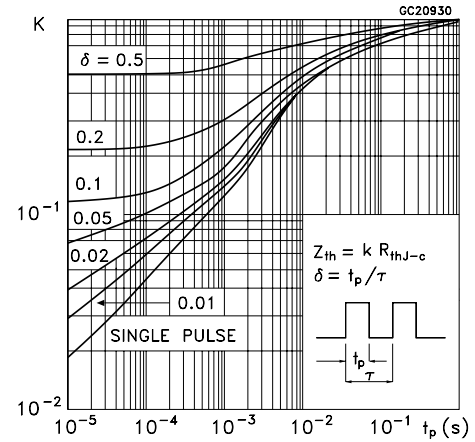
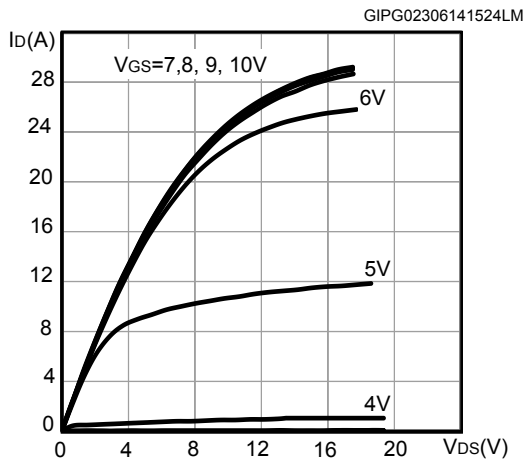
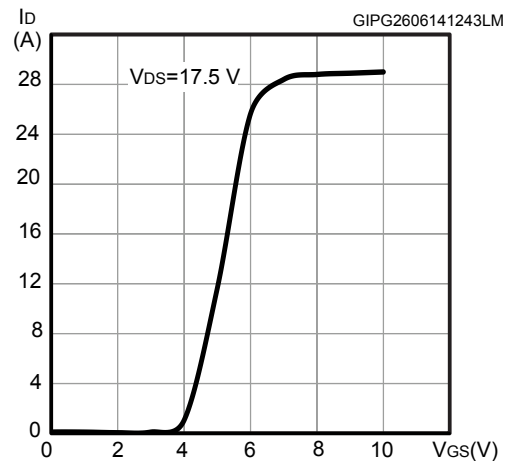
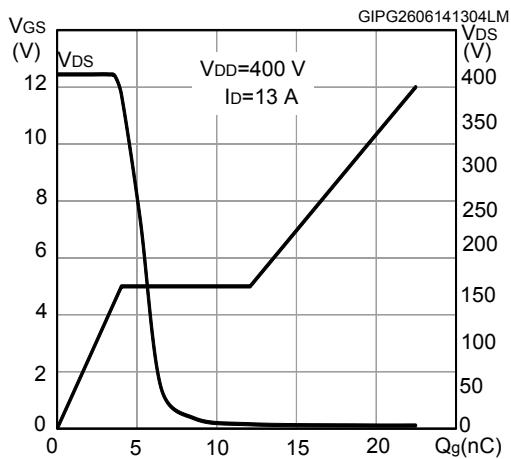
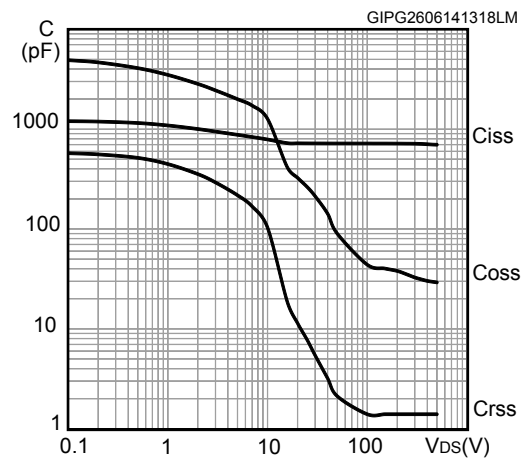
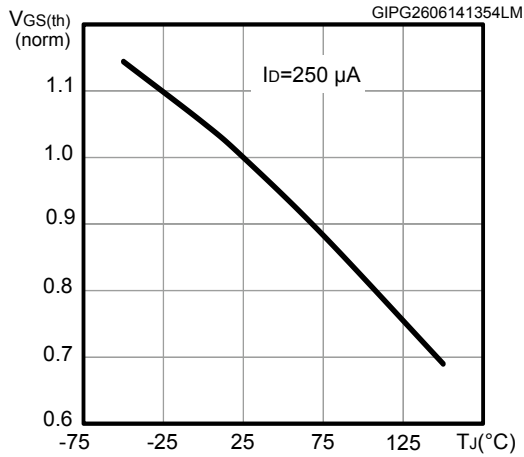
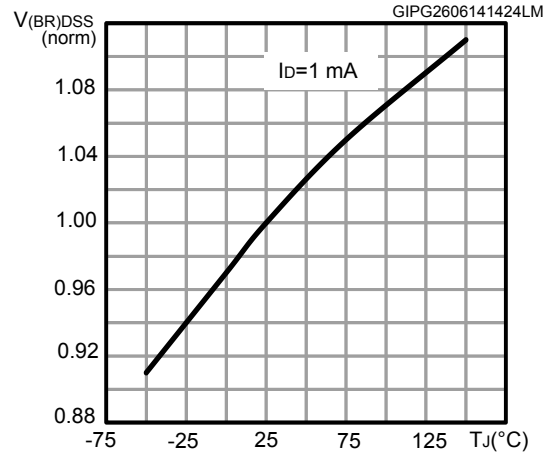
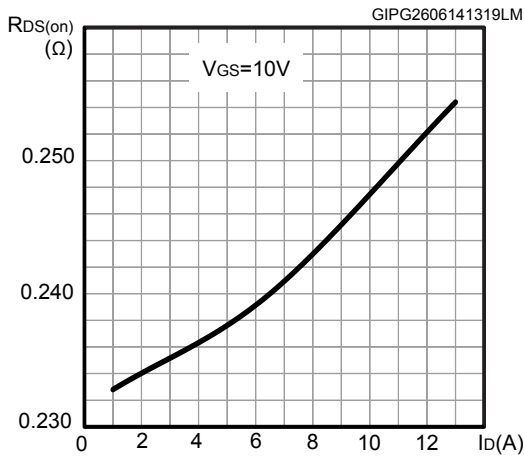
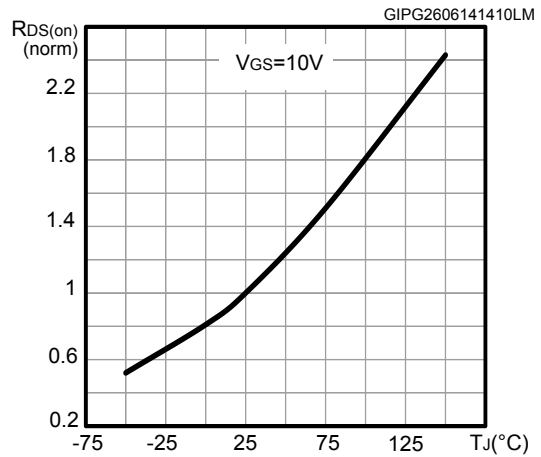
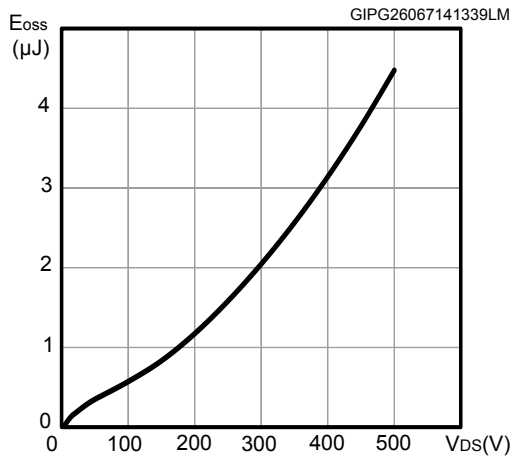
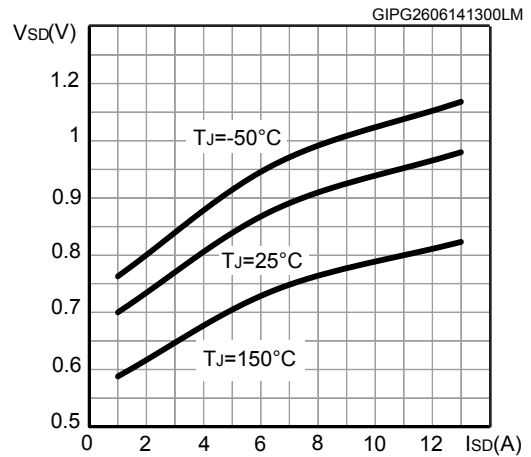
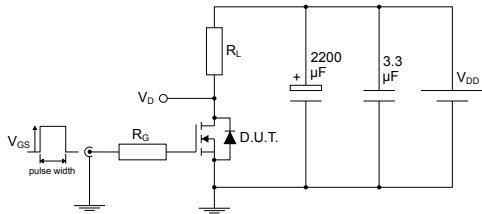
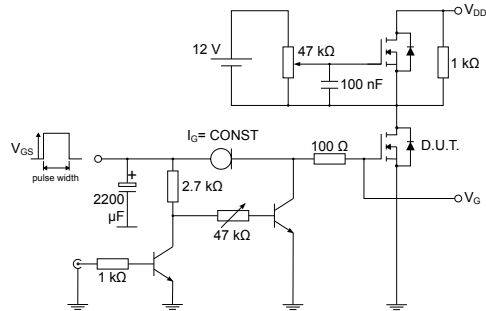
Figure 5. Safe operating area for TO-220

Figure 6. Thermal impedance for TO-220

Figure 7. Output characteristics

Figure 8. Transfer characteristics

Figure 9. Gate charge vs. gate-source voltage

Figure 10. Capacitance variations


Figure 11. Normalized gate threshold voltage vs. temperature

Figure 12. Normalized V_{(BR)DSS} vs. temperature

Figure 13. Static drain-source on-resistance

Figure 14. Normalized on-resistance vs. temperature

Figure 15. Output capacitance stored energy

Figure 16. Source-drain diode forward characteristics


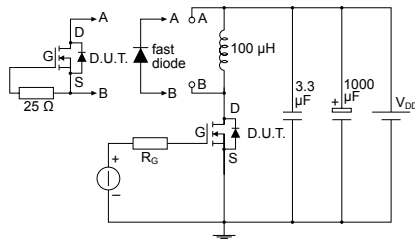
3 Test circuits

Figure 17. Test circuit for resistive load switching times


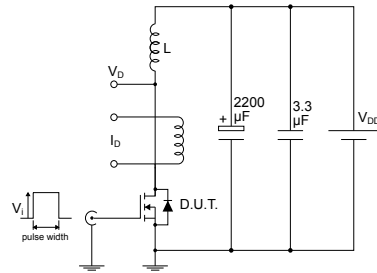
AM01468v1

Figure 18. Test circuit for gate charge behavior


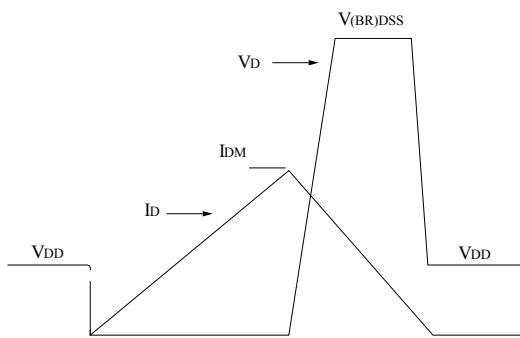
AM01469v1

Figure 19. Test circuit for inductive load switching and diode recovery times


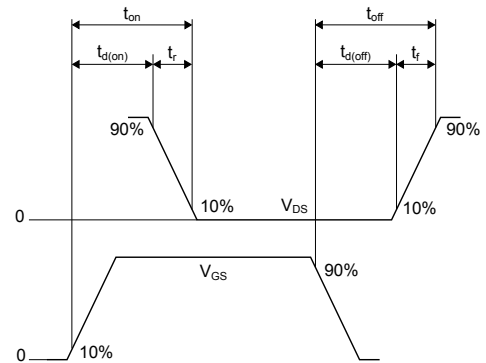
AM01470v1

Figure 20. Unclamped inductive load test circuit


AM01471v1

Figure 21. Unclamped inductive waveform


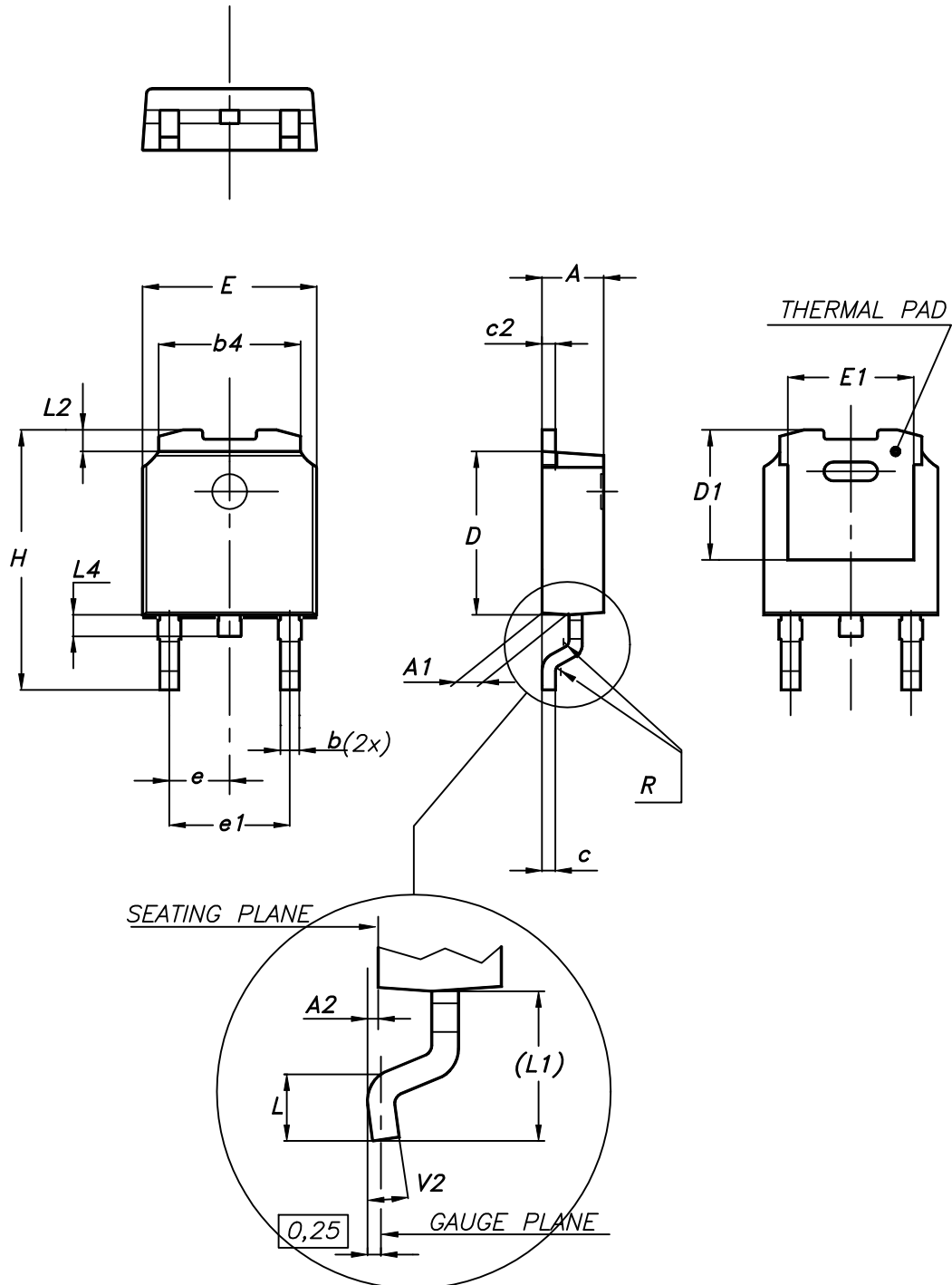
AM01472v1

Figure 22. Switching time waveform


AM01473v1

4 Package information

In order to meet environmental requirements, ST offers these devices in different grades of **ECOPACK[®]** packages, depending on their level of environmental compliance. ECOPACK[®] specifications, grade definitions and product status are available at: www.st.com. ECOPACK[®] is an ST trademark.

4.1 DPAK (TO-252) type A2 package information
Figure 23. DPAK (TO-252) type A2 package outline


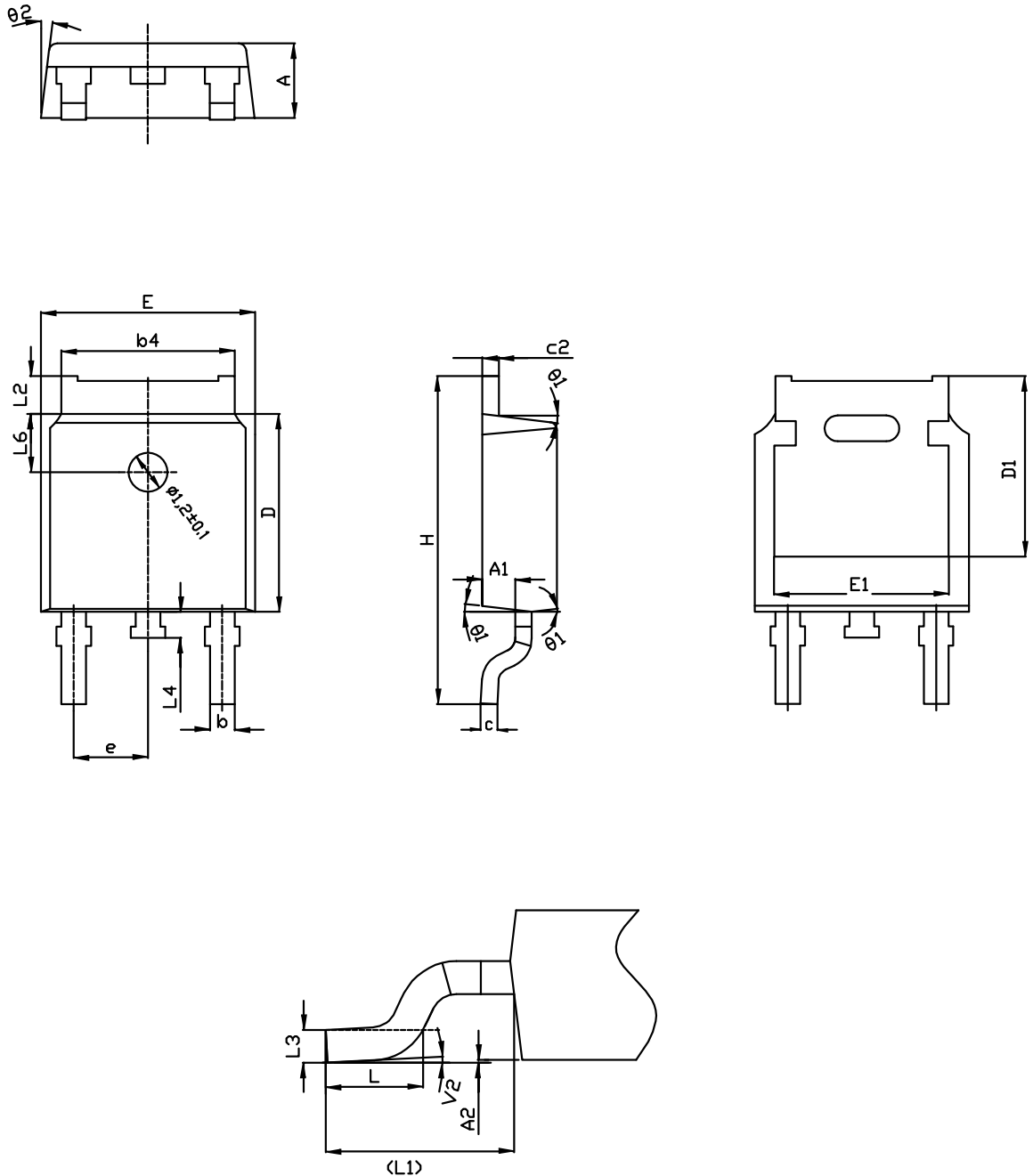
0068772_type-A2_rev25

Table 8. DPAK (TO-252) type A2 mechanical data

Dim.	mm		
	Min.	Typ.	Max.
A	2.20		2.40
A1	0.90		1.10
A2	0.03		0.23
b	0.64		0.90
b4	5.20		5.40
c	0.45		0.60
c2	0.48		0.60
D	6.00		6.20
D1	4.95	5.10	5.25
E	6.40		6.60
E1	5.10	5.20	5.30
e	2.159	2.286	2.413
e1	4.445	4.572	4.699
H	9.35		10.10
L	1.00		1.50
L1	2.60	2.80	3.00
L2	0.65	0.80	0.95
L4	0.60		1.00
R		0.20	
V2	0°		8°

4.2 DPAK (TO-252) type C2 package information

Figure 24. DPAK (TO-252) type C2 package outline

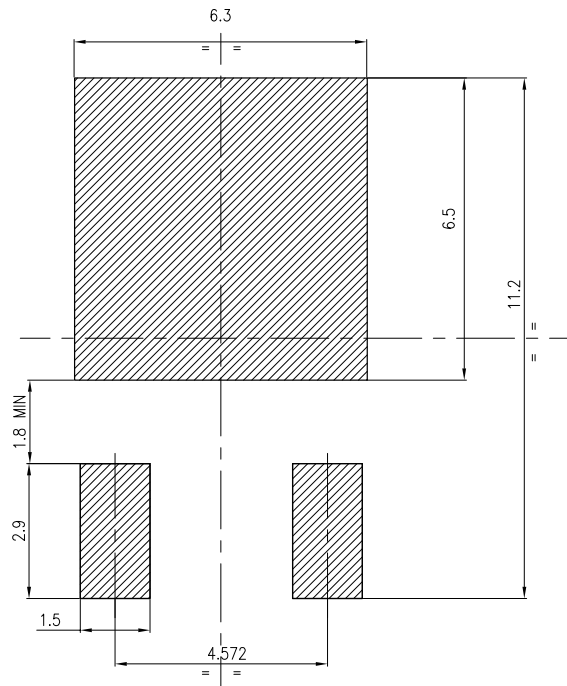


0068772_C2_25

Table 9. DPAK (TO-252) type C2 mechanical data

Dim.	mm		
	Min.	Typ.	Max.
A	2.20	2.30	2.38
A1	0.90	1.01	1.10
A2	0.00		0.10
b	0.72		0.85
b4	5.13	5.33	5.46
c	0.47		0.60
c2	0.47		0.60
D	6.00	6.10	6.20
D1	5.10		5.60
E	6.50	6.60	6.70
E1	5.20		5.50
e	2.186	2.286	2.386
H	9.80	10.10	10.40
L	1.40	1.50	1.70
L1	2.90 REF		
L2	0.90		1.25
L3	0.51 BSC		
L4	0.60	0.80	1.00
L6	1.80 BSC		
θ1	5°	7°	9°
θ2	5°	7°	9°
V2	0°		8°

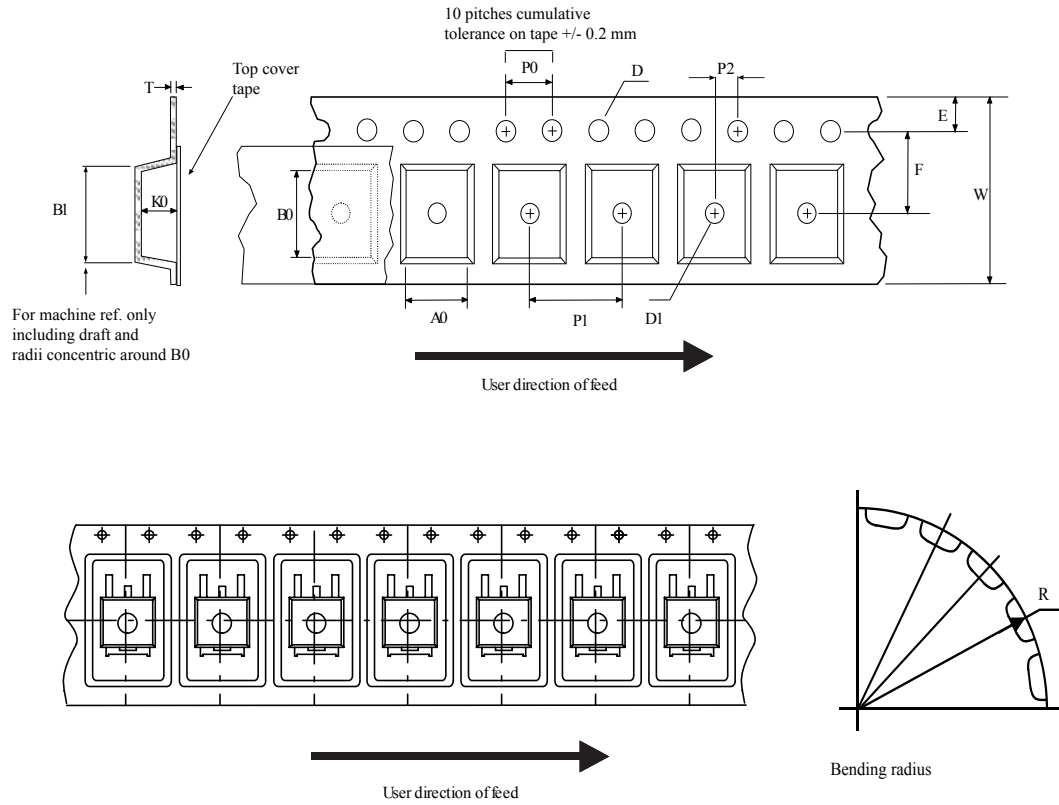
Figure 25. DPAK (TO-252) recommended footprint (dimensions are in mm)



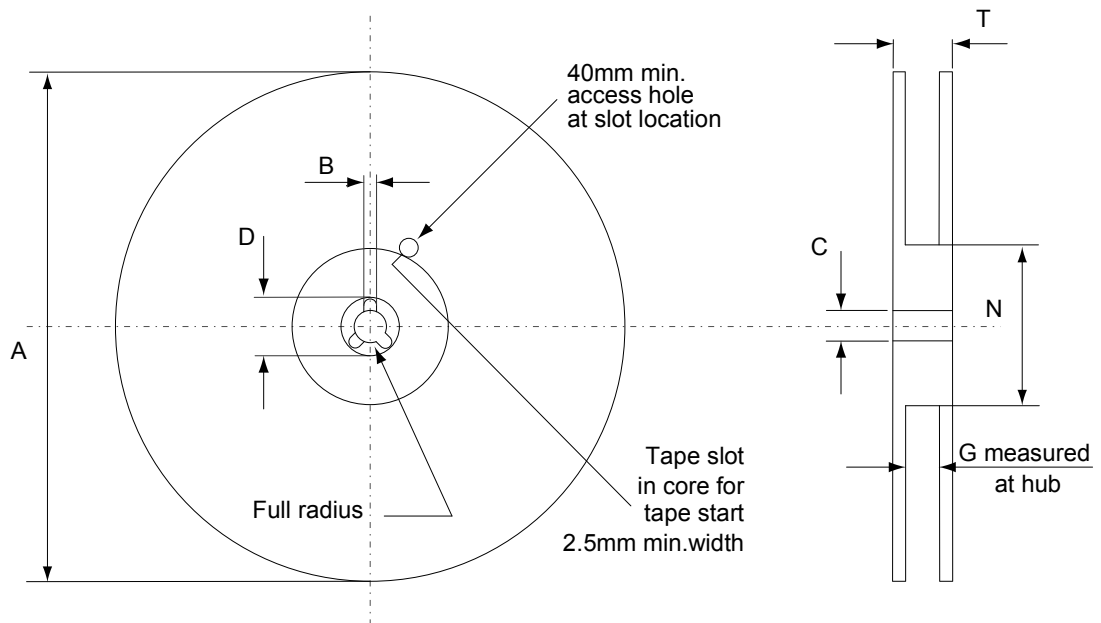
FP_0068772_25

4.3 DPAK (TO-252) packing information

Figure 26. DPAK (TO-252) tape outline



AM08852v1

Figure 27. DPAK (TO-252) reel outline


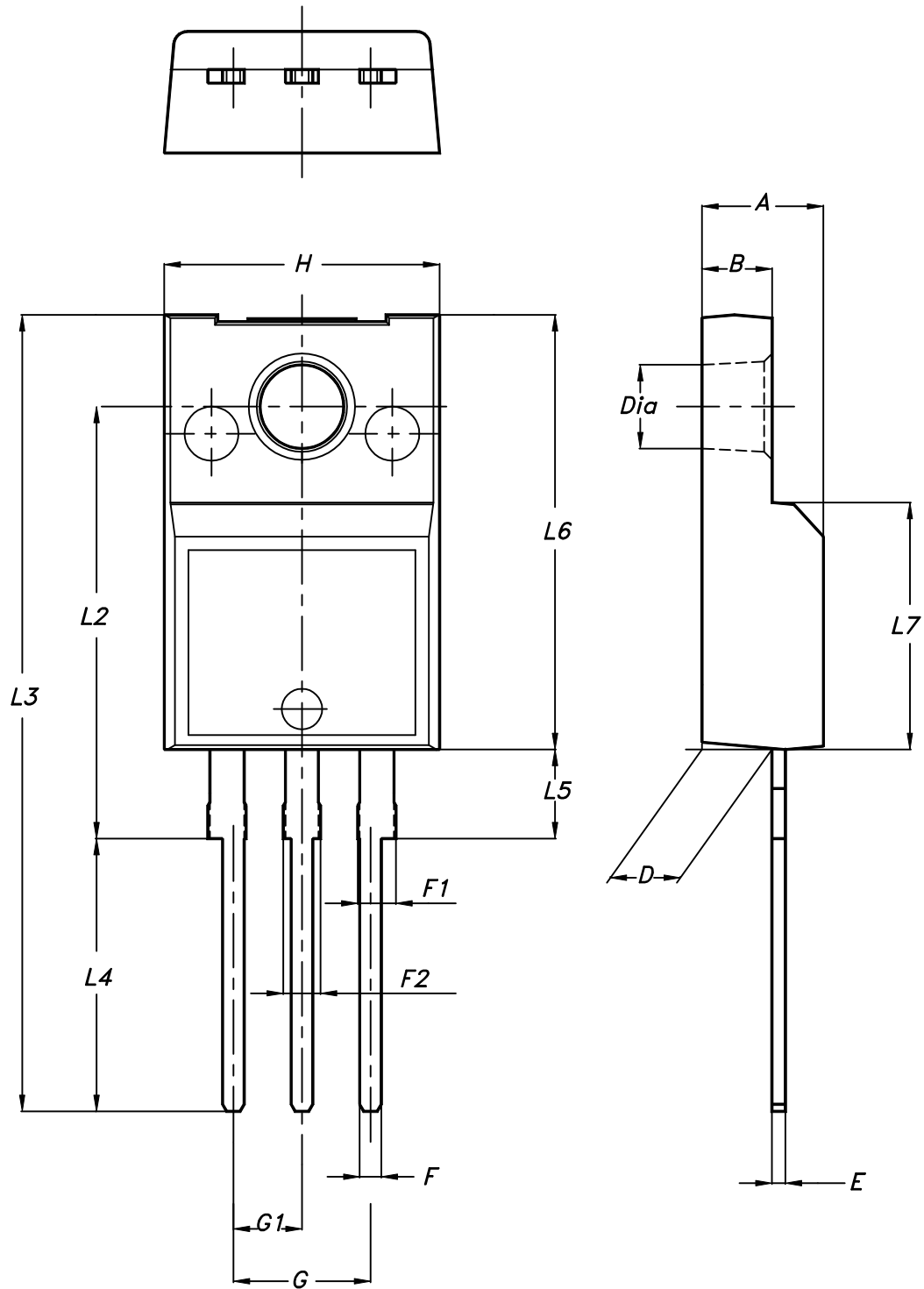
AM06038v1

Table 10. DPAK (TO-252) tape and reel mechanical data

Dim.	Tape		Dim.	Reel	
	mm			mm	
	Min.	Max.		Min.	Max.
A0	6.8	7	A		330
B0	10.4	10.6	B	1.5	
B1		12.1	C	12.8	13.2
D	1.5	1.6	D	20.2	
D1	1.5		G	16.4	18.4
E	1.65	1.85	N	50	
F	7.4	7.6	T		22.4
K0	2.55	2.75			
P0	3.9	4.1		Base qty.	2500
P1	7.9	8.1		Bulk qty.	2500
P2	1.9	2.1			
R	40				
T	0.25	0.35			
W	15.7	16.3			

4.4 TO-220FP package information

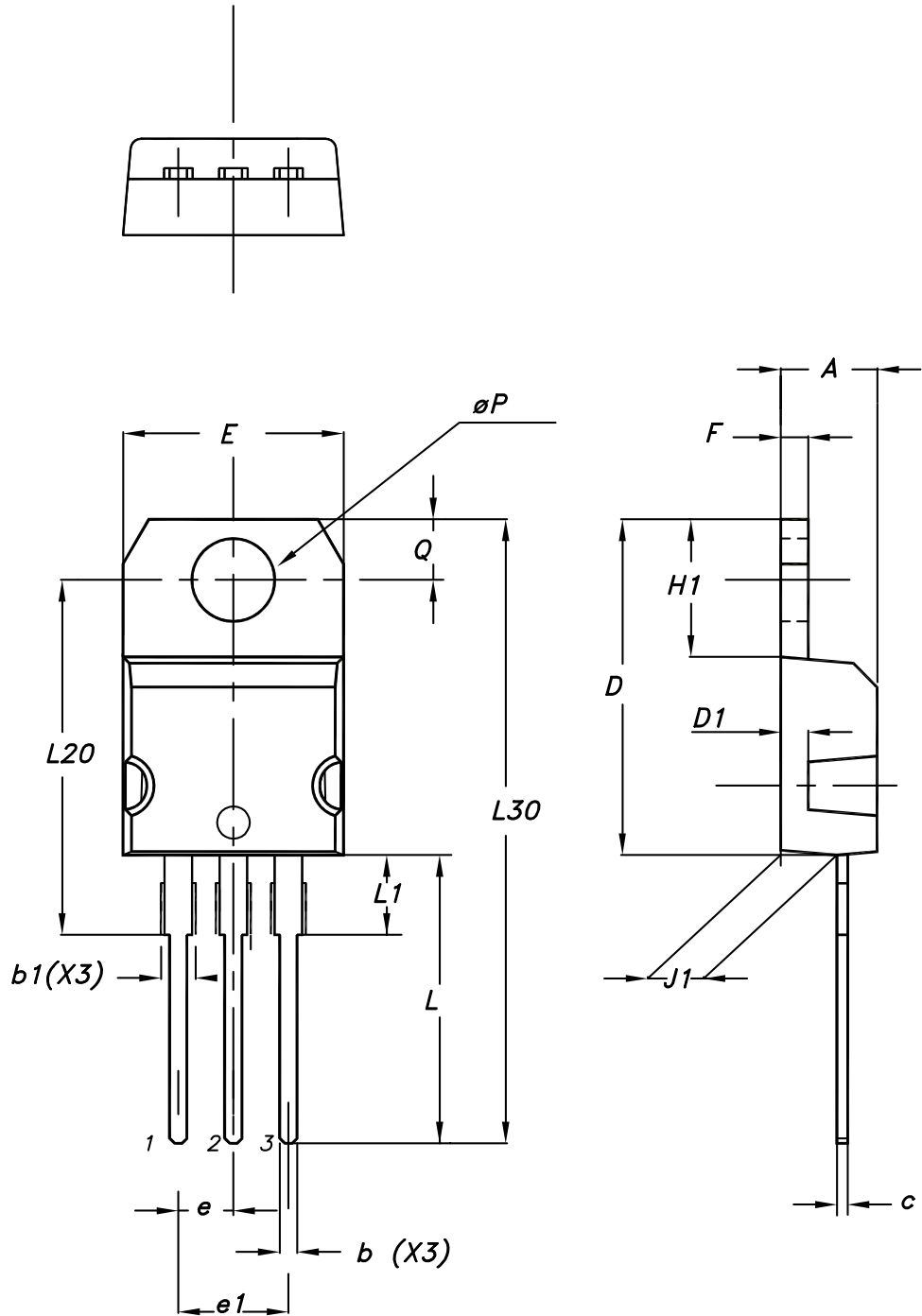
Figure 28. TO-220FP package outline



7012510_Rev_12_B

Table 11. TO-220FP package mechanical data

Dim.	mm		
	Min.	Typ.	Max.
A	4.4		4.6
B	2.5		2.7
D	2.5		2.75
E	0.45		0.7
F	0.75		1
F1	1.15		1.70
F2	1.15		1.70
G	4.95		5.2
G1	2.4		2.7
H	10		10.4
L2		16	
L3	28.6		30.6
L4	9.8		10.6
L5	2.9		3.6
L6	15.9		16.4
L7	9		9.3
Dia	3		3.2

4.5 TO-220 type A package information
Figure 29. TO-220 type A package outline


0015988_typeA_Rev_22

Table 12. TO-220 type A package mechanical data

Dim.	mm		
	Min.	Typ.	Max.
A	4.40		4.60
b	0.61		0.88
b1	1.14		1.55
c	0.48		0.70
D	15.25		15.75
D1		1.27	
E	10.00		10.40
e	2.40		2.70
e1	4.95		5.15
F	1.23		1.32
H1	6.20		6.60
J1	2.40		2.72
L	13.00		14.00
L1	3.50		3.93
L20		16.40	
L30		28.90	
øP	3.75		3.85
Q	2.65		2.95

5 Ordering information

Table 13. Ordering information

Order code	Marking	Package	Packing
STD16N50M2	16N50M2	DPAK	Tape and reel
STF16N50M2		TO-220FP	Tube
STP16N50M2		TO-220	

Revision history

Table 14. Document revision history

Date	Revision	Changes
04-Jul-2014	1	Initial release.
18-Jul-2014	2	Updated <i>Figure 9</i> .
31-Jul-2014	3	Updated <i>Figure 2</i> and <i>Figure 4</i> .
25-Aug-2016	4	Datasheet promoted from preliminary data to production data Changed: <i>Section 4.1: "DPAK (TO-252) type A2 package information"</i> Minor text changes
04-May-2017	5	Updated marking in Table 1: "Device summary". Updated Figure 3: "Thermal impedance for DPAK". Minor text changes
04-Dec-2018	6	Updated Features, Table 1. Absolute maximum ratings , Table 4. On /off states , Table 5. Dynamic . Added Section 4.2 DPAK (TO-252) type C2 package information and Section 5 Ordering information .

Contents

1	Electrical ratings	2
2	Electrical characteristics	3
2.1	Electrical characteristics (curves)	5
3	Test circuits	8
4	Package information	9
4.1	DPAK (TO-252) type A2 package information	9
4.2	DPAK (TO-252) type C2 package information	11
4.3	DPAK (TO-252) packing information	14
4.4	TO-220FP package information	16
4.5	TO-220 type A package information	18
5	Ordering information	21
	Revision history	22
	Contents	23

IMPORTANT NOTICE – PLEASE READ CAREFULLY

STMicroelectronics NV and its subsidiaries (“ST”) reserve the right to make changes, corrections, enhancements, modifications, and improvements to ST products and/or to this document at any time without notice. Purchasers should obtain the latest relevant information on ST products before placing orders. ST products are sold pursuant to ST’s terms and conditions of sale in place at the time of order acknowledgement.

Purchasers are solely responsible for the choice, selection, and use of ST products and ST assumes no liability for application assistance or the design of Purchasers’ products.

No license, express or implied, to any intellectual property right is granted by ST herein.

Resale of ST products with provisions different from the information set forth herein shall void any warranty granted by ST for such product.

ST and the ST logo are trademarks of ST. All other product or service names are the property of their respective owners.

Information in this document supersedes and replaces information previously supplied in any prior versions of this document.

© 2018 STMicroelectronics – All rights reserved