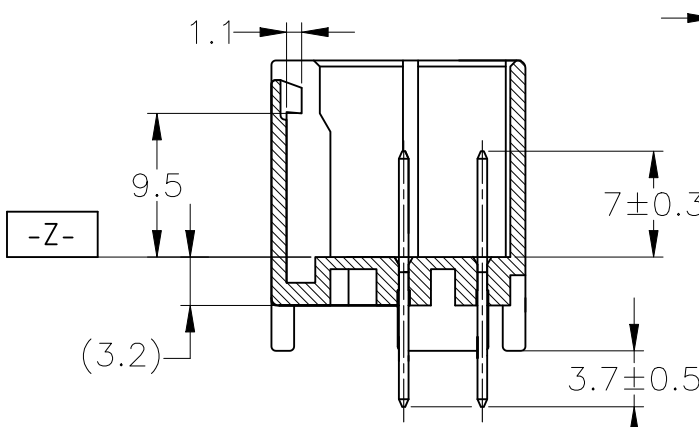
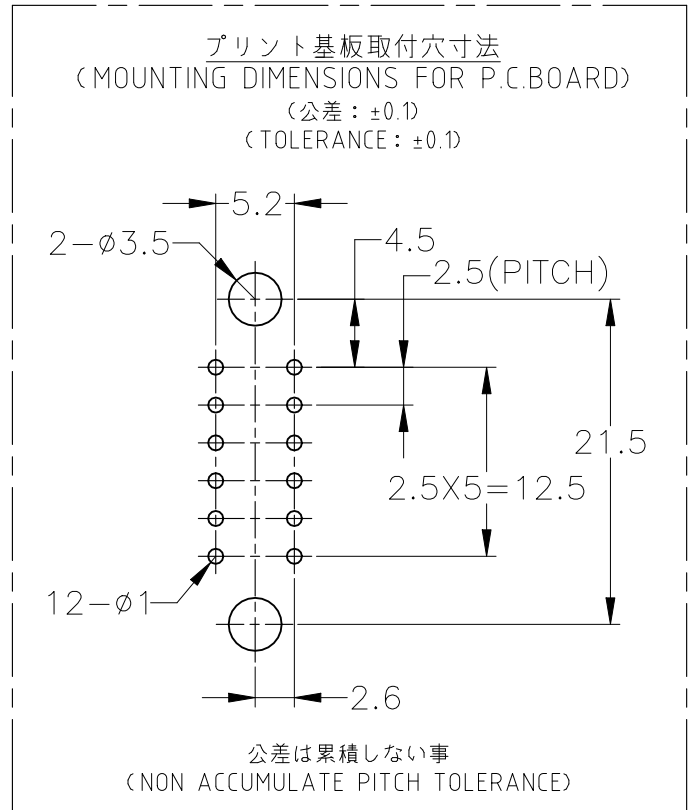
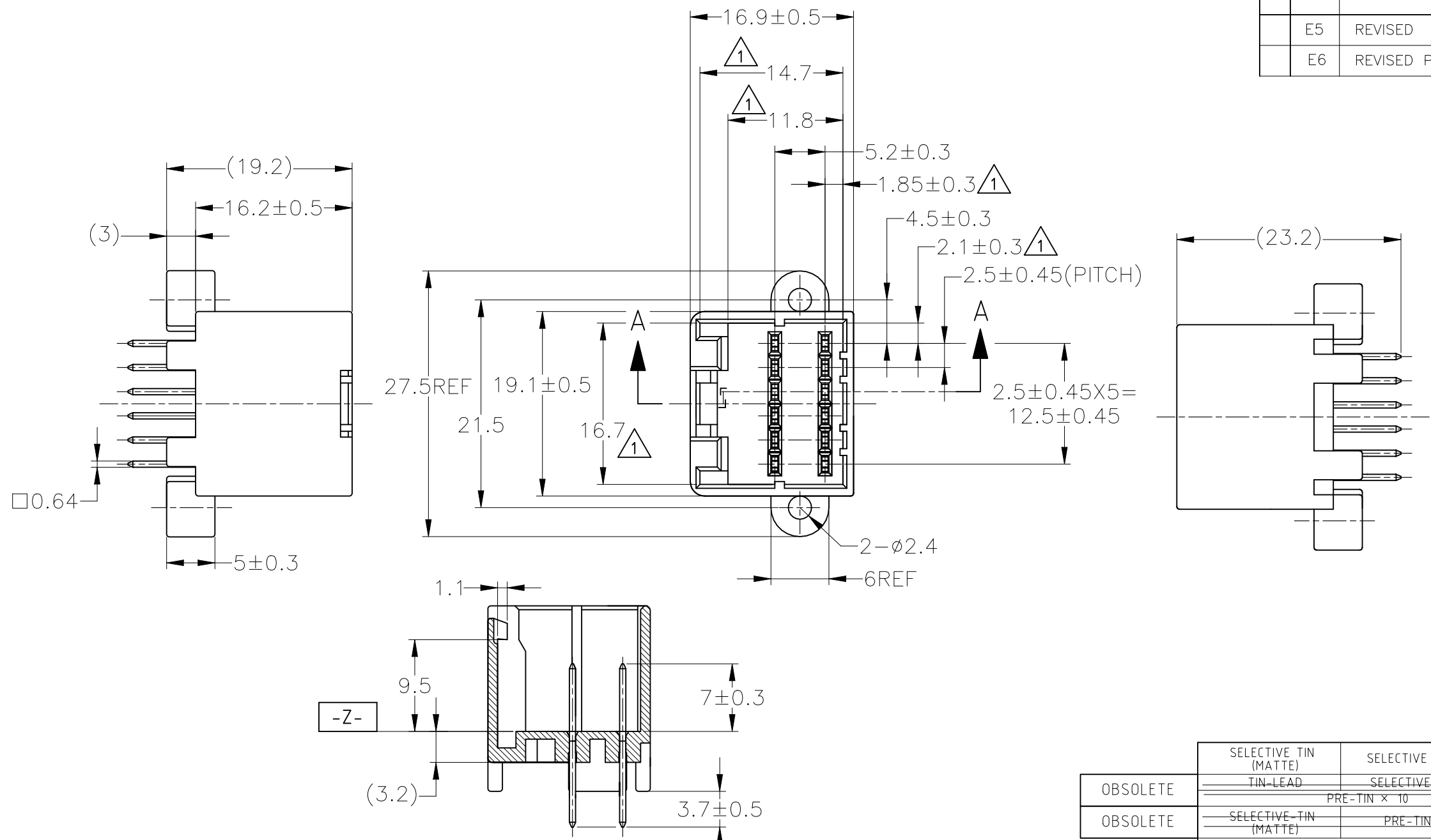
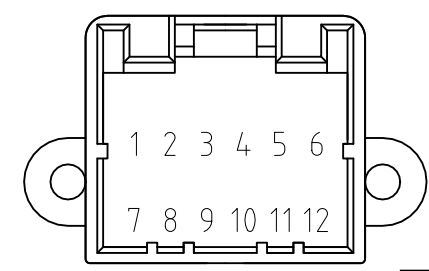


REVISIONS					
変更					
P	LTR	DESCRIPTION	DATE	DWN	APVD
	E5	REVISED	ECR-15-005620	13APR15	KF RK
	E6	REVISED PER	ECR-22-154022	28NOV2022	RK MT



- ① TO BE MEASURED WITHIN 2mm FROM [-Z-]
- ② APPLICABLE P.C.BOARD THICKNESS: 1.6mm
- ③ THE MATING COUNTERPART PART NUMBER: 174045
- ④ RECOMMENDED MOUNTING SCREW: 3mm DIA, 6mm LENGTH TAPPING SCREW SPECIFIED IN JIS B1115, B1122 (TIGHTENING TORQUE: 0.8N-M MAX.)
- ⑤ CIRCUIT NUMBER



- ① [-Z-] 面より 2mm の範囲で測定
- ② 適用プリント基板厚: 1.6mm
- ③ 嵌合相手ハウジング型番: 174045
- ④ 推奨取付ネジ: JIS B1115, B1122 タップンネジ, ナベ 2種
呼び径 3, 長さ 6mm (締付けトルク 0.8N-M 以下)
- ⑤ 回路番号: 上図参照のこと

TOLERANCE UNLESS OTHERWISE SPECIFIED: 一般公差	
0 < x ≤ 10	±0.2
10 < x ≤ 30	±0.25
30 < x ≤ 100	±0.3
ANGLE ; 角度	±3°

THIS DRAWING IS A CONTROLLED DOCUMENT.	
DIMENSIONS: 単位: 耗 mm	TOLERANCES UNLESS OTHERWISE SPECIFIED: 一般公差
0 PLC ±-	1 PLC ±-
2 PLC ±-	3 PLC ±-
4 PLC ±-	ANGLES ±-
MATERIAL 材料	FINISH 仕上
HOUSING: PBT	CONTACT: BRASS
	SEE TABLE

	SELECTIVE TIN (MATTE)	SELECTIVE GOLD x 12	1~12	BLACK 黒色	5174973-1
OBSOLETE	TIN-LEAD	SELECTIVE GOLD x 2	5,6	BLACK 黒色	4-174973-2
OBSOLETE	SELECTIVE-TIN (MATTE)	PRE-TIN x 10		GREEN 緑色	2-174973-4
	SEE CUSTOMER DRAWING 2-174973-1				2-174973-1
OBSOLETE		PRE-TIN x 12		GREEN 緑色	174973-4
	SELECTIVE-TIN (MATTE)	SELECTIVE-TIN x 12 (BRIGHT)		BLACK 黒色	174973-3
		PRE-TIN x 12		BLACK 黒色	174973-2
OBSOLETE	TIN-LEAD	SELECTIVE GOLD x 12	1~12	BLACK 黒色	174973-1
	SOLDERING SIDE 半田付け部	CONTACT SIDE 接触部側		GOLD PLATED CIRCUIT NO. 金めっき回路番号	COLOR 色
	CONTACT FINISH コンタクト仕上				PART NUMBER 製品型番

DWN T.SHINOHARA 16APR02			040 SERIES MULTI-LOCK I/O CONN. 12Pos CAP HOUSING ASSY (VERTICAL TYPE)		
CHK A.YAMAGUCHI 16APR02					
APVD K.BETSUI 16APR02					
PRODUCT SPEC 製品規格 108-5244					
APPLICATION SPEC 取付適用規格	NAME 名称	SIZE	CAGE CODE	DRAWING NO 番号	RESTRICTED TO
WEIGHT 4.2 g	A3	00779	C-174973		
CUSTOMER DRAWING		SCALE 尺度 2:1	SHEET 1 OF 1	REV E6	