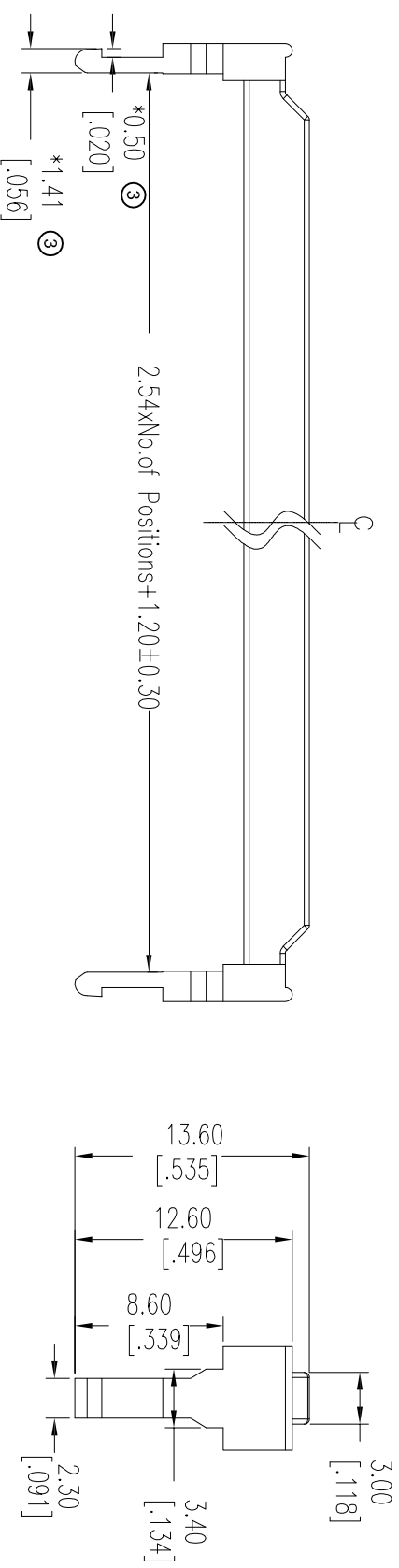
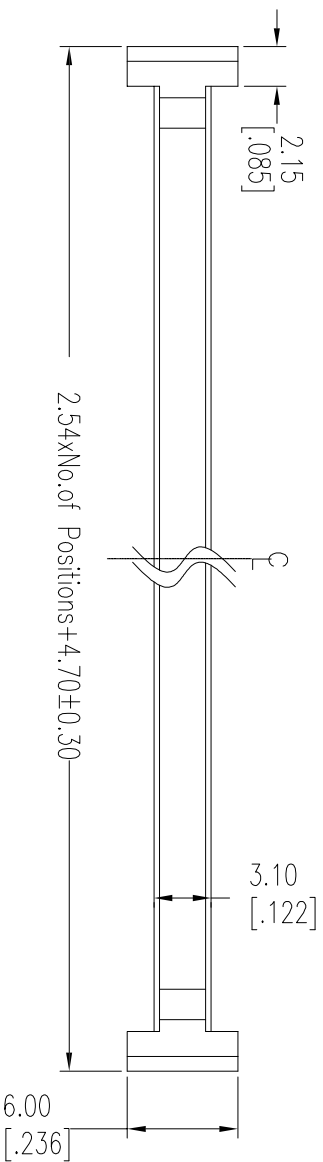


1 2 3 4 5 6 7

Strain Relief

NOTES:

- 1.Pin No. : 6-64P
- 2. Notes: No deformation on surface, Burr : 0.05mm max
- 3. Material : PBT+30%GF



RoHS compliant

Scale	1:1										
TOLERANCE											
X.X	±0.15				Drawn	Date	21.11.2001	Name	Hellwig		
X.XX	±0.10				Approved	Date	22.11.2013	Name	Ray		
X.XXX	±0.05	③	Update dimension								
X.°	±2°	②	Change plant								
X.X°	±X°	①	Drawn				21.01.2001	Name	Hellwig		
X.XX°	±X°										
X.XXX°	±X°										

1 2 3 4 5 6 7

SVxxx