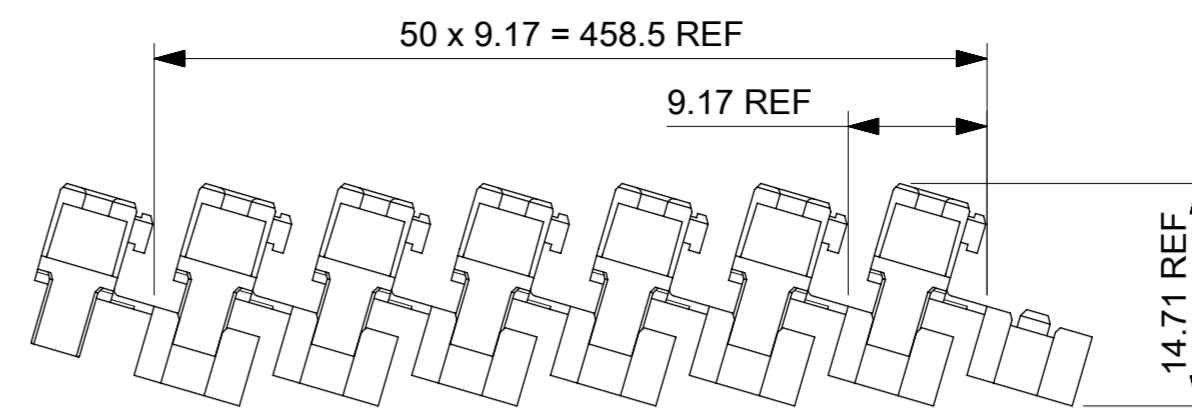
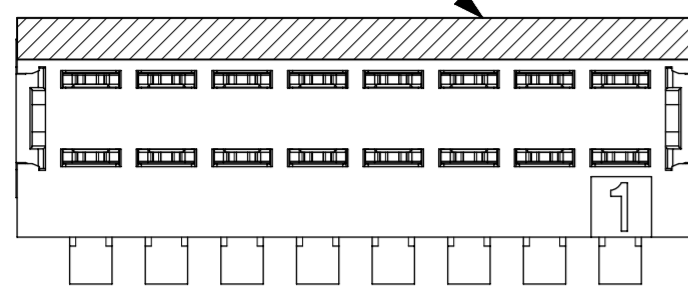


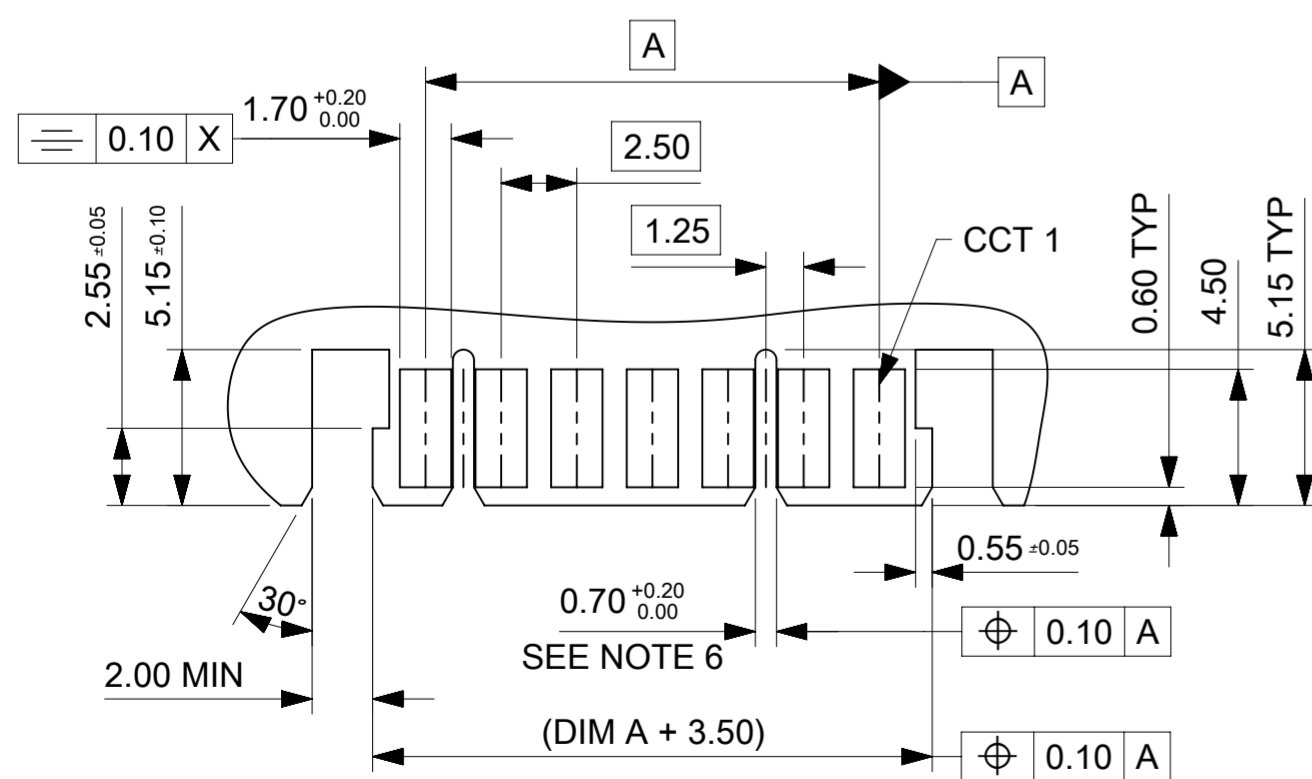
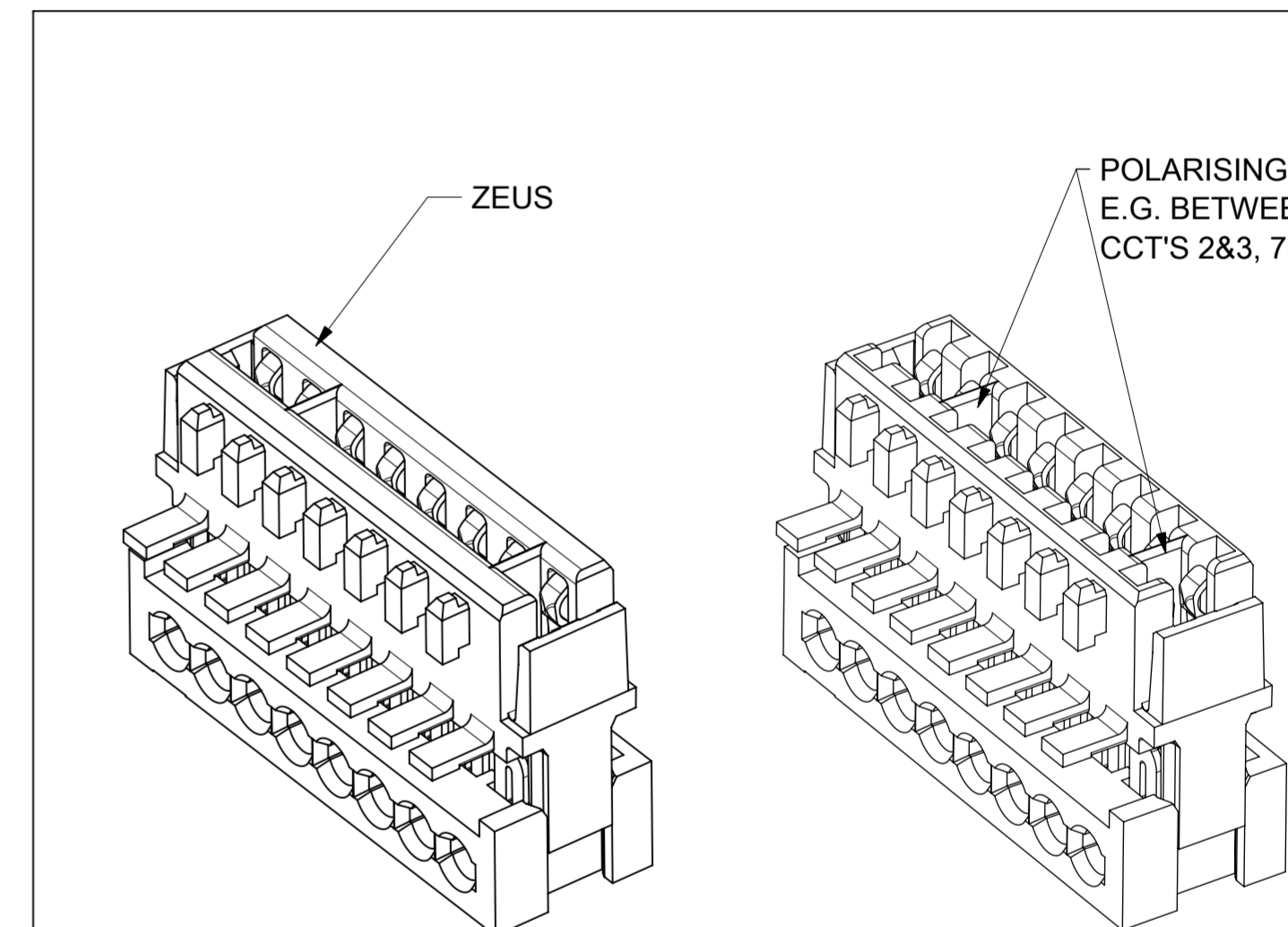
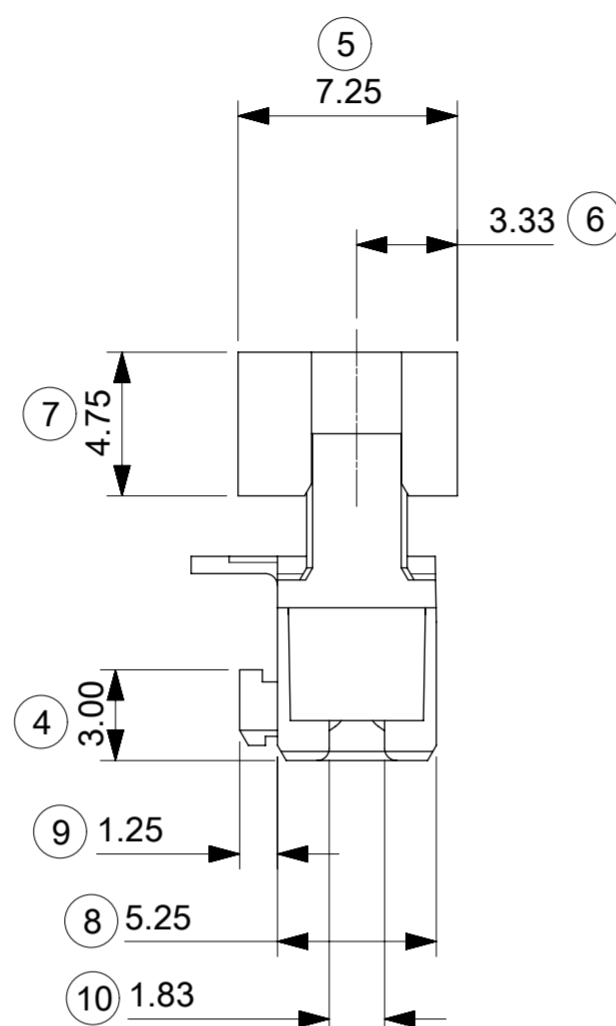
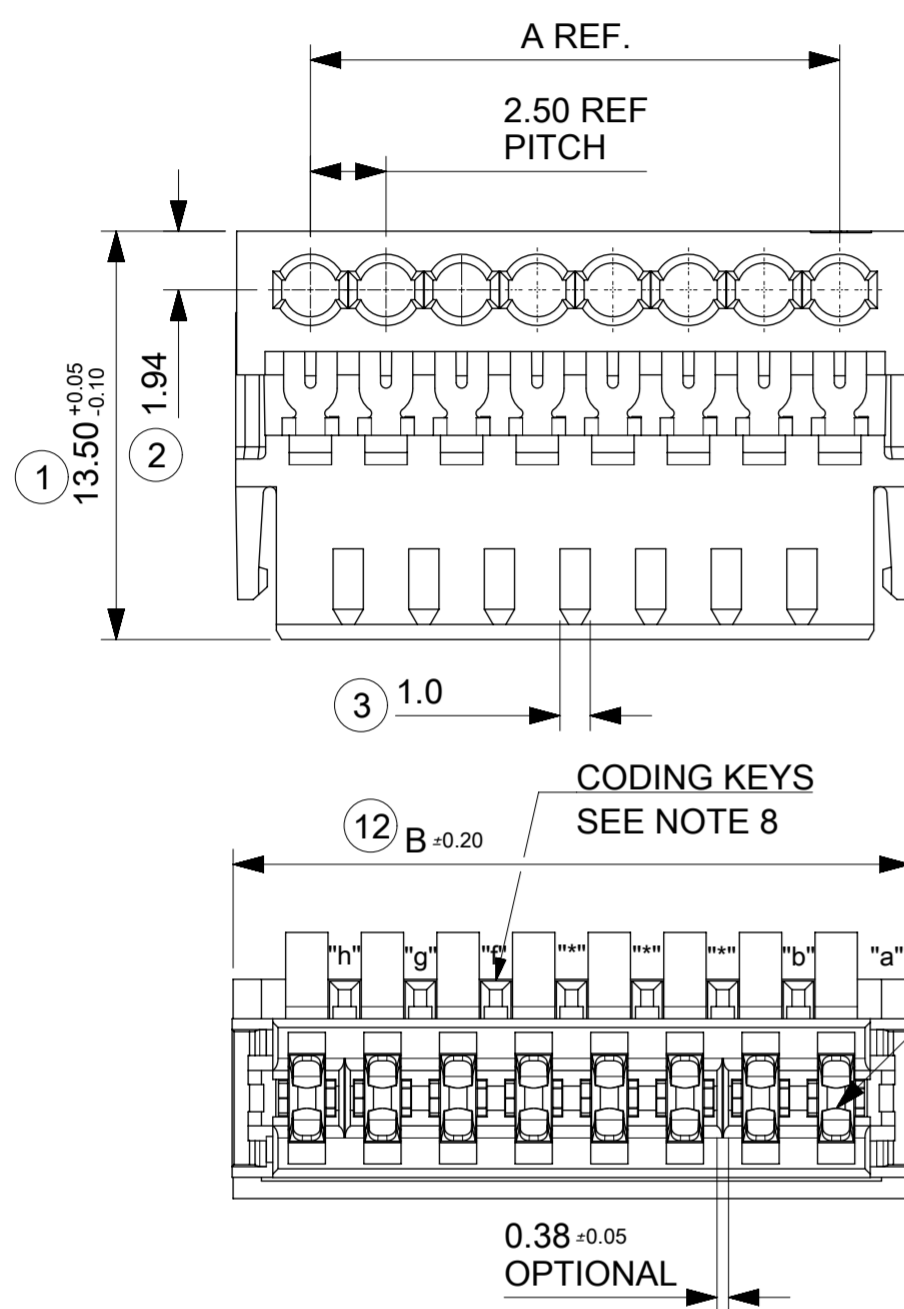
400012662

POSITION OF COLOUR STRIPE (see note 3)



SHIPPING ARRANGEMENT

| CCT | A | B |
|-----|------|--------|
| 3 | 5.0 | 9.875 |
| 4 | 7.5 | 12.375 |
| 5 | 10.0 | 14.875 |
| 6 | 12.5 | 17.375 |
| 7 | 15.0 | 19.875 |
| 8 | 17.5 | 22.375 |
| 9 | 20.0 | 24.875 |
| 10 | 22.5 | 27.375 |
| 11 | 25.0 | 29.875 |
| 12 | 27.5 | 32.375 |
| 13 | 30.0 | 34.875 |
| 14 | 32.5 | 37.375 |
| 15 | 35.0 | 39.875 |
| 16 | 37.5 | 42.375 |
| 17 | 40.0 | 44.875 |
| 18 | 42.5 | 47.375 |
| 19 | 45.0 | 49.875 |
| 20 | 47.5 | 52.375 |



EXAMPLE OF PCB LAYOUT FOR CONNECTOR SHOWN ABOVE
 - 8CCT WITH POLARISING RIB BETWEEN CCT 1&2 AND 6&7
 - RECCOMENDED PCB THICKNESS: 1.50±0.14mm

NOTES:

- MATERIAL: HOUSING -NYLON PA6 7% GF UL94-V2 COLOUR: NATURAL
 TERMINAL - COPPER ALLOY
- PLATING: TIN
- PRODUCT CONFORMS TO PRODUCT SPECIFICATION PS-99020-0040
- APPLICATION SPECIFICATION 990330008 AS
- SEE SUBSEQUENT SHEETS FOR PART NUMBERS
- POLARISING RIBS ARE RECOMMENDED WITH THIS PRODUCT.
 SEE CONFIGURATIONS ON FOLLOWING SHEETS FOR OPTIONAL
 POLARISING RIB POSITION(S) FOR EACH CCT SIZE.
 RECOMMENDED: 3CCT TO 6 CCT HAVE ONE POLARISING RIB
 7CCT TO 20 CCT HAVE TWO POLARISING RIBS
- COLOR STRIPE IS OPTIONAL. AVAILABLE IN THE FOLLOWING
 COLORS: BLACK, RED, BLUE, GREEN
- NO CODING KEY "a", AS LATCH REPLACES FIRST AND LAST
 CODING KEY.
- REFER TO PACKAGING SPECIFICATION: PK-90871-001

| | | | | | | | | | |
|---|--|------------------------|--|-----------------------------------|--|------------|--|-----------------|--|
| THIS DRAWING CONTAINS INFORMATION THAT IS PROPRIETARY TO MOLEX ELECTRONIC TECHNOLOGIES, LLC AND SHOULD NOT BE USED WITHOUT WRITTEN PERMISSION | | | | | | | | | |
| DIMENSION UNITS | | SCALE | | CURRENT REV DESC: ADDED NOTE SHT2 | | | | | |
| mm | | 20:1 | | | | | | | |
| GENERAL TOLERANCES (UNLESS SPECIFIED) | | | | | | | | | |
| ANGULAR TOL | | ± 0.5° | | EC NO: 620565 | | | | | |
| 4 PLACES | | ± | | DRWN: AKABADI | | 2019/07/12 | | | |
| 3 PLACES | | ± 0.1 | | CHK'D: DRYAN | | 2019/07/15 | | | |
| 2 PLACES | | ± 0.1 | | APPR: DRYAN | | 2019/07/15 | | | |
| 1 PLACE | | ± 0.2 | | INITIAL REVISION: | | | | | |
| 0 PLACES | | ± | | DRWN: CFISHER01 | | 2016/08/05 | | | |
| | | | | APPR: BRUTTLE | | 2016/10/13 | | | |
| DRAFT WHERE APPLICABLE MUST REMAIN WITHIN DIMENSIONS | | THIRD ANGLE PROJECTION | | DRAWING | | SERIES | | MATERIAL NUMBER | |
| | | | | A2-SIZE | | 91780 | | SEE CHARTS | |
| DOCUMENT STATUS | | P1 | | RELEASE DATE | | 2019/07/15 | | 10:27:36 | |
| | | | | | | | | | |

molex

2.5MM APPLI-MATE
 W/SIDE LATCHES (2.5 & 5MM TERM PITCH)
 ADDITION OF PART NUMBERS 91780-2513 & 9178

PRODUCT CUSTOMER DRAWING

| | | | |
|-----------------|----------|----------|----------|
| DOCUMENT NUMBER | DOC TYPE | DOC PART | REVISION |
| 917800001 | PSD | 000 | AA |

| | | |
|-----------------|----------------|--------------|
| MATERIAL NUMBER | CUSTOMER | SHEET NUMBER |
| SEE CHARTS | GENERAL MARKET | 1 OF 5 |

| 2 CIRCUIT (2 CKT VOIDED, 3CKT HOUSING) | | | | | | |
|--|-----------------|------------------------|-----------------------|---------------|------------------------|---------------|
| PART NUMBER | HOUSING USED | TERMINAL VOID POSITION | REMOVED POSITION KEYS | CONFIGURATION | POLARIZING RIB BETWEEN | COLOUR STRIPE |
| 91780-9001 | 94009-0103 | CCT 2 | a d | | 1&2 | NONE |
| 91780-9002 | 94009-0203 | CCT 2 | a d | | 2&3 | NONE |
| 91780-9003 | 94009-0003 | CCT 2 | a d | | NONE | NONE |
| 91780-9004 | 94009-0103 | CCT 2 | a c d | | 1&2 | RED |
| 91780-9005 | 94009-0103 | CCT 2 | a b d | | 1&2 | GREEN |
| 91780-9006 | 94009-0203 | CCT 2 | a c d | | 2&3 | BLUE |
| 91780-9007 | 94009-0203 | CCT 2 | a b d | | 2&3 | BLACK |
| 91780-9008 | 94009-0103 | CCT 2 | a c d | | 1&2 | NONE |
| 91780-9009 | 94009-0203 | CCT 2 | a c d | | 2&3 | NONE |
| 91780-9010 | 94009-0203 | CCT 2 | a b d | | 2&3 | NONE |
| 91780-9011 | 94009-0103 | CCT 2 | a b d | | 1&2 | NONE |
| 91780-9012 | 94009-0103 | CCT 2 | a d | | 1&2 | RED |
| 91780-9013 | 94009-0103 | CCT 2 | a c d | | 1&2 | BLUE |
| 91780-9014 | 94009-0203 | CCT 2 | a d | | 2&3 | GREEN |
| 91780-9015 | 94009-0103 | CCT 2 | a d | | 1&2 | GREEN |
| 91780-9016 | 94009-0003 | CCT 2 | a c d | | NONE | RED |
| 91780-9017 | 94009-0003 | CCT 2 | a b d | | NONE | GREEN |
| 91780-9018 | 94009-0203 | CCT 2 | a d | | 2&3 | NONE |
| 91780-9019 | 94007-0103 ZEUS | CCT 2 | a d | | 1&2 | GREEN |

| 3 CIRCUIT | | | | | | |
|-------------|-----------------|------------------------|-----------------------|---------------|------------------------|---------------|
| PART NUMBER | HOUSING USED | TERMINAL VOID POSITION | REMOVED POSITION KEYS | CONFIGURATION | POLARIZING RIB BETWEEN | COLOUR STRIPE |
| 91780-0001 | 94009-0103 | NONE | a d | | 1&2 | NONE |
| 91780-0002 | 94009-0003 | NONE | a c d | | NONE | NONE |
| 91780-0003 | 94009-0203 | NONE | a d | | 2&3 | NONE |
| 91780-0004 | 94009-0103 | NONE | a c d | | 1&2 | NONE |
| 91780-0005 | 94009-0103 | NONE | a b d | | 1&2 | NONE |
| 91780-0006 | 94009-0203 | NONE | a d | | 2&3 | BLACK |
| 91780-0007 | 94009-0103 | NONE | a d | | 1&2 | RED |
| 91780-0009 | 94009-0103 | NONE | a c d | | 1&2 | BLUE |
| 91780-0010 | 94009-0103 | NONE | a b d | | 1&2 | BLACK |
| 91780-0012 | 94007-0203 ZEUS | NONE | a d | | 2&3 | BLACK |
| 91780-0013 | 94007-0003 ZEUS | NONE | a d | | NONE | NONE |
| 91780-0014 | 94007-0103 ZEUS | NONE | a d | | 1&2 | RED |
| 91780-0015 | 94007-0103 ZEUS | NONE | a d | | 1&2 | NONE |
| 91780-0016 | 94007-0103 ZEUS | CCT 2 | a d | | 1&2 | GREEN |
| 91780-0017 | 94007-0103 ZEUS | CCT 2 | a d | | 1&2 | NONE |

| 4 CIRCUIT | | | | | | |
|-------------|-----------------|------------------------|-----------------------|---------------|------------------------|---------------|
| PART NUMBER | HOUSING USED | TERMINAL VOID POSITION | REMOVED POSITION KEYS | CONFIGURATION | POLARIZING RIB BETWEEN | COLOUR STRIPE |
| 91780-0501 | 94009-0104 | NONE | a e | | 1&2 | NONE |
| 91780-0502 | 94009-0004 | NONE | a e | | NONE | NONE |
| 91780-0503 | 94009-0004 | CCT 3 | a b e | | NONE | RED |
| 91780-0504 | 94009-0004 | NONE | a d e | | NONE | BLACK |
| 91780-0505 | 94009-0004 | NONE | a d e | | NONE | NONE |
| 91780-0506 | 94009-0004 | CCT 3 | a b e | | NONE | NONE |
| 91780-0507 | 94009-0104 | NONE | a e | | 1&2 | BLACK |
| 91780-0508 | 94009-0004 | NONE | a e | | NONE | RED |
| 91780-0509 | 94009-0104 | NONE | a c e | | 1&2 | NONE |
| 91780-0510 | 94009-0304 | NONE | a e | | 3&4 | NONE |
| 91780-0511 | 94009-0104 | CCT 1 | a c e | | 1&2 | NONE |
| 91780-0512 | 94009-0204 | NONE | a e | | 2&3 | BLACK |
| 91780-0515 | 94007-0104 ZEUS | NONE | a e | | 1&2 | BLACK |
| 91780-0516 | 94007-0304 ZEUS | NONE | a e | | 3&4 | RED |
| 91780-0517 | 94007-0104 ZEUS | NONE | a e | | 1&2 | NONE |

* REFER 3CKT HOUSING PACKAGING FOR ABOVE TABLE PART NUMBERS

NOTES

- + DENOTES TERMINAL VOIDED POSITION
⊕ DENOTES TERMINAL LOADED POSITION
| DENOTES POLARIZING RIB POSITION
- MOLEX HOUSING NO. FOR REFERENCE ONLY

| | | | | | | | | | | | | | |
|---|--|-------|------------------------|--|---------|------------|----------------|--------------------------------|-----------------|---------------|--|------------|--|
| THIS DRAWING CONTAINS INFORMATION THAT IS PROPRIETARY TO MOLEX ELECTRONIC TECHNOLOGIES, LLC AND SHOULD NOT BE USED WITHOUT WRITTEN PERMISSION | | | | | | | | | | | | | |
| DIMENSION UNITS | | SCALE | | CURRENT REV DESC: ADDED NOTE SHT2 | | | | | | | | | |
| mm | | 1:1 | | <p>2.5MM APPLI-MATE W/SIDE LATCHES (2.5 & 5MM TERM PITCH) ADDITION OF PART NUMBERS 91780-2513 & 9178</p> <p>PRODUCT CUSTOMER DRAWING</p> | | | | | | | | | |
| GENERAL TOLERANCES (UNLESS SPECIFIED) | | | | | | | | | | EC NO: 620565 | | 2019/07/12 | |
| ANGULAR TOL ± 0.5° | | | | | | | | | | DRWN: AKABADI | | 2019/07/15 | |
| 4 PLACES ± | | | | | | | | | | CHK'D: DRYAN | | 2019/07/15 | |
| 3 PLACES ± 0.1 | | | | APPR: DRYAN | | 2019/07/15 | | DOCUMENT NUMBER | | | | | |
| 2 PLACES ± 0.1 | | | | INITIAL REVISION: | | | | 917800001 | | | | | |
| 1 PLACE ± 0.2 | | | | DRWN: CFISHER01 | | 2016/08/05 | | DOC TYPE DOC PART REVISION | | | | | |
| 0 PLACES ± | | | | APPR: BRUTTLE | | 2016/10/13 | | PSD 000 AA | | | | | |
| DRAFT WHERE APPLICABLE MUST REMAIN WITHIN DIMENSIONS | | | THIRD ANGLE PROJECTION | | DRAWING | | SERIES | | MATERIAL NUMBER | | | | |
| | | | | | A2-SIZE | | 91780 | | SEE CHARTS | | | | |
| | | | | | | | CUSTOMER | | SHEET NUMBER | | | | |
| | | | | | | | GENERAL MARKET | | 2 OF 5 | | | | |

| 5 CIRCUIT | | | | | | |
|-------------|-----------------|------------------------|-----------------------|---------------|------------------------|---------------|
| PART NUMBER | HOUSING USED | TERMINAL VOID POSITION | REMOVED POSITION KEYS | CONFIGURATION | POLARIZING RIB BETWEEN | COLOUR STRIPE |
| 91780-1001 | 94009-0205 | NONE | a f | | 2&3 | NONE |
| 91780-1002 | 94009-0105 | NONE | a f | | 1&2 | NONE |
| 91780-1003 | 94009-0205 | NONE | a f | | 2&3 | BLACK |
| 91780-1004 | 94009-0105 | CCT 4 | a f | | 1&2 | GREEN |
| 91780-1005 | 94009-0305 | NONE | a f | | 3&4 | RED |
| 91780-1006 | 94009-0305 | CCT 2 | a f | | 3&4 | BLUE |
| 91780-1007 | 94009-0005 | NONE | a f | | NONE | NONE |
| 91780-1008 | 94009-0105 | CCT 3 | a f | | 1&2 | NONE |
| 91780-1009 | 94009-0205 | CCT 1 | a f | | 2&3 | NONE |
| 91780-1010 | 94009-0405 | CCT 1,2 | a f | | 4&5 | NONE |
| 91780-1011 | 94009-0205 | CCT 1,3,5 | a f | | 2&3 | RED |
| 91780-1012 | 94009-0205 | CCT5 | a f | | 2&3 | NONE |
| 91780-1013 | 94009-0405 | NONE | a b c d e f | | 4&5 | NONE |
| 91780-1014 | 94009-0005 | NONE | a c d f | | NONE | NONE |
| 91780-1015 | 94009-0305 | NONE | a f | | 3&4 | NONE |
| 91780-1016 | 94009-0005 | NONE | a c d e f | | NONE | NONE |
| 91780-1017 | 94009-0005 | NONE | a b c d e f | | NONE | NONE |
| 91780-1021 | 94007-0305 ZEUS | NONE | a f | | 3&4 | RED |
| 91780-1022 | 94009-0005 | CCT 3 | a b c d e f | | NONE | NONE |
| 91780-1023 | 94007-0205 ZEUS | NONE | a f | | 2&3 | BLACK |
| 91780-1024 | 94007-0305 ZEUS | CCT 2 | a f | | 3&4 | BLUE |
| 91780-1025 | 94007-0105 ZEUS | CCT 1,2 | a f | | 1&2 | ORANGE |
| 91780-1026 | 94007-0105 ZEUS | CCT 4 | a f | | 1&2 | GREEN |
| 91780-1027 | 94009-0105 | NONE | a f | | 1&2 | GREEN |
| 91780-1028 | 94007-0105 ZEUS | NONE | a f | | 1&2 | NONE |

| 6 CIRCUIT | | | | | | |
|-------------|-----------------|------------------------|-----------------------|---------------|------------------------|---------------|
| PART NUMBER | HOUSING USED | TERMINAL VOID POSITION | REMOVED POSITION KEYS | CONFIGURATION | POLARIZING RIB BETWEEN | COLOUR STRIPE |
| 91780-1501 | 94009-0206 | NONE | a g | | 2&3 | NONE |
| 91780-1502 | 94009-0506 | NONE | a g | | 5&6 | NONE |
| 91780-1503 | 94009-0206 | NONE | a g | | 2&3 | BLACK |
| 91780-1504 | 94009-0206 | NONE | a g | | 2&3 | BLUE |
| 91780-1505 | 94009-0106 | NONE | a g | | 1&2 | NONE |
| 91780-1506 | 94009-0406 | NONE | a g | | 4&5 | NONE |
| 91780-1507 | 94009-0006 | NONE | a g | | NONE | NONE |
| 91780-1508 | 94009-0406 | CCT 3,5 | a g | | 4&5 | GREEN |
| 91780-1509 | 94009-0406 | NONE | a g | | 4&5 | RED |
| 91780-1510 | 94009-0206 | CCT 2,5 | a g | | 2&3 | BLACK |
| 91780-1511 | 94009-0306 | NONE | a g | | 3&4 | NONE |
| 91780-1512 | 94009-0406 | CCT 2,4 | a g | | 4&5 | GREEN |
| 91780-1513 | 94009-0206 | CCT 2,4 | a g | | 2&3 | BLUE |
| 91780-1514 | 94009-0206 | CCT 2,5 | a g | | 2&3 | NONE |
| 91780-1515 | 94009-0206 | CCT 2,4 | a g | | 2&3 | NONE |
| 91780-1517 | 94007-0206 ZEUS | CCT 2,5 | a g | | 2&3 | BLACK |
| 91780-1518 | 94007-0506 ZEUS | NONE | a g | | 5&6 | NONE |
| 91780-1519 | 94007-0206 ZEUS | NONE | a g | | 2&3 | NONE |
| 91780-1520 | 94007-0406 ZEUS | NONE | a g | | 4&5 | RED |
| 91780-1521 | 94007-0106 ZEUS | NONE | a g | | 1&2 | NONE |
| 91780-1522 | 94007-0406 ZEUS | CCT 2,4 | a g | | 4&5 | GREEN |
| 91780-1523 | 94007-0406 ZEUS | CCT 3,5 | a g | | 4&5 | GREEN |
| 91780-1524 | 94007-0406 ZEUS | NONE | a g | | 4&5 | NONE |

NOTES

- + DENOTES TERMINAL VOIDED POSITION
- ⊕ DENOTES TERMINAL LOADED POSITION
- | DENOTES POLARIZING RIB POSITION
2. MOLEX HOUSING NO. FOR REFERENCE ONLY

THIS DRAWING CONTAINS INFORMATION THAT IS PROPRIETARY TO MOLEX ELECTRONIC TECHNOLOGIES, LLC AND SHOULD NOT BE USED WITHOUT WRITTEN PERMISSION

| | | | | | | | |
|--|-------|-----------------------------------|--|---|--|--|--|
| DIMENSION UNITS | SCALE | CURRENT REV DESC: ADDED NOTE SHT2 | | | | | |
| mm | 1:1 | | | | | | |
| GENERAL TOLERANCES (UNLESS SPECIFIED) | | EC NO: 620565 | | 2.5MM APPLI-MATE W/SIDE LATCHES (2.5 & 5MM TERM PITCH) ADDITION OF PART NUMBERS 91780-2513 & 9178 | | | |
| ANGULAR TOL ± 0.5° | | DRWN: AKABADI 2019/07/12 | | | | | |
| 4 PLACES ± | | CHK'D: DRYAN 2019/07/15 | | PRODUCT CUSTOMER DRAWING | | | |
| 3 PLACES ± 0.1 | | APPR: DRYAN 2019/07/15 | | | | | |
| 2 PLACES ± 0.1 | | INITIAL REVISION: | | DOCUMENT NUMBER 917800001 | | | |
| 1 PLACE ± 0.2 | | DRWN: CFISHER01 2016/08/05 | | | | | |
| 0 PLACES ± | | APPR: BRUTTLE 2016/10/13 | | DOC TYPE DOC PART REVISION PSD 000 AA | | | |
| DRAFT WHERE APPLICABLE MUST REMAIN WITHIN DIMENSIONS | | THIRD ANGLE PROJECTION | | | | | |
| | | DRAWING | | MATERIAL NUMBER CUSTOMER SEE CHARTS GENERAL MARKET | | | |
| | | SERIES | | | | | |
| | | A2-SIZE | | SHEET NUMBER 3 OF 5 | | | |
| | | 91780 | | | | | |

| 7 CIRCUIT | | | | | | |
|-------------|-----------------|------------------------|-----------------------|---------------|------------------------|---------------|
| PART NUMBER | HOUSING USED | TERMINAL VOID POSITION | REMOVED POSITION KEYS | CONFIGURATION | POLARIZING RIB BETWEEN | COLOUR STRIPE |
| 91780-2001 | 94009-2307 | NONE | a h | | 1&2 5&6 | NONE |
| 91780-2002 | 94009-0107 | CCT 2 | a h | | 1&2 | NONE |
| 91780-2003 | 94009-0207 | NONE | a h | | 2&3 | BLACK |
| 91780-2004 | 94009-0507 | NONE | a h | | 5&6 | NONE |
| 91780-2005 | 94009-0207 | CCT 2,4 | a h | | 2&3 | BLUE |
| 91780-2006 | 94009-0007 | NONE | a h | | NONE | NONE |
| 91780-2007 | 94009-0007 | CCT 2,4,6 | a h | | NONE | NONE |
| 91780-2008 | 94009-0207 | CCT 2,4,6 | a h | | 2&3 | BLUE |
| 91780-2010 | 94007-0207 ZEUS | CCT 2,4,6 | a h | | 2&3 | BLUE |
| 91780-2011 | 94007-0207 ZEUS | CCT 2,4 | a h | | 2&3 | BLUE |
| 91780-2012 | 94007-0507 ZEUS | NONE | a h | | 5&6 | NONE |

| 8 CIRCUIT | | | | | | |
|-------------|-----------------|------------------------|-----------------------|---------------|------------------------|---------------|
| PART NUMBER | HOUSING USED | TERMINAL VOID POSITION | REMOVED POSITION KEYS | CONFIGURATION | POLARIZING RIB BETWEEN | COLOUR STRIPE |
| 91780-2501 | 94009-2408 | NONE | a i | | 1&2 6&7 | NONE |
| 91780-2502 | 94009-2408 | CCT 2,5 | a i | | 1&2 6&7 | NONE |
| 91780-2503 | 94009-2408 | CCT 2 | a i | | 1&2 6&7 | NONE |
| 91780-2504 | 94009-0208 | NONE | a i | | 2&3 | NONE |
| 91780-2505 | 94009-0208 | CCT 2,5 | a i | | 2&3 | NONE |
| 91780-2506 | 94009-0108 | NONE | a i | | 1&2 | NONE |
| 91780-2507 | 94009-0308 | NONE | a i | | 3&4 | NONE |
| 91780-2508 | 94009-0308 | NONE | a i | | 3&4 | RED |
| 91780-2509 | 94009-0208 | CCT 2,4,5,6 | a i | | 2&3 | NONE |
| 91780-2510 | 94009-0208 | CCT 2,5 | a i | | 2&3 | BLUE |
| 91780-2511 | 94009-0008 | NONE | a i | | NONE | NONE |
| 91780-2512 | 94009-0208 | CCT 2, 3 | a i | | 2&3 | NONE |
| 91780-2513 | 94009-0508 | NONE | a i | | 5&6 | NONE |
| 91780-2514 | 94007-0208 ZEUS | NONE | a i | | 2&3 | NONE |
| 91780-2515 | 94007-0208 ZEUS | CCT 2,5 | a i | | 2&3 | BLUE |
| 91780-2516 | 94007-0208 ZEUS | CCT 5,7 | a i | | 2&3 | BROWN |

| 9 CIRCUIT | | | | | | |
|-------------|-----------------|------------------------|-----------------------|---------------|------------------------|---------------|
| PART NUMBER | HOUSING USED | TERMINAL VOID POSITION | REMOVED POSITION KEYS | CONFIGURATION | POLARIZING RIB BETWEEN | COLOUR STRIPE |
| 91780-3001 | 94009-2509 | NONE | a j | | 1&2 7&8 | NONE |
| 91780-3426 | 94009-2509 | CCT 2 4 6 8 | a j | | 1&2 7&8 | NONE |
| 91780-3003 | 94009-0209 | CCT 2 | a j | | 2&3 | GREEN |
| 91780-3004 | 94009-0209 | CCT 2,4,6 | a j | | 2&3 | BLACK |
| 91780-3005 | 94009-0309 | CCT 2,5,7 | a j | | 3&4 | GREY |
| 91780-3006 | 94009-0209 | CCT 3,5,8 | a j | | 2&3 | GREEN |
| 91780-3007 | 94009-0409 | CCT 3,5,7 | a j | | 4&5 | RED |
| 91780-3008 | 94009-0209 | NONE | a j | | 2&3 | BLACK |
| 91780-3009 | 94009-0209 | NONE | a j | | 2&3 | NONE |
| 91780-3011 | 94007-0209 ZEUS | CCT 3,5,8 | a j | | 2&3 | GREEN |
| 91780-3012 | 94007-0009 ZEUS | CCT 2,4,6,8 | a j | | NONE | NONE |

| 10 CIRCUIT | | | | | | |
|-------------|-----------------|------------------------|-----------------------|---------------|------------------------|---------------|
| PART NUMBER | HOUSING USED | TERMINAL VOID POSITION | REMOVED POSITION KEYS | CONFIGURATION | POLARIZING RIB BETWEEN | COLOUR STRIPE |
| 91780-3501 | 94009-2610 | NONE | a k | | 1&2 8&9 | NONE |
| 91780-3502 | 94009-0910 | NONE | a k | | 9&10 | RED |
| 91780-3503 | 94009-0910 | NONE | a k | | 9&10 | NONE |
| 91780-3504 | 94009-0210 | NONE | a k | | 2&3 | NONE |
| 91780-3505 | 94009-0210 | NONE | a k | | 2&3 | BLACK |
| 91780-3506 | 94009-0010 | NONE | a k | | NONE | NONE |
| 91780-3507 | 94007-0210 ZEUS | CCT 2,4 | a k | | 2&3 | NONE |

NOTES

- + DENOTES TERMINAL VOIDED POSITION
 - ⊕ DENOTES TERMINAL LOADED POSITION
 - | DENOTES POLARIZING RIB POSITION
2. MOLEX HOUSING NO. FOR REFERENCE ONLY

| | | | | | | | | | | | | | |
|---|--|------------------------|--|--|--|----------------|--|--------------------------------|--|---------------|--|------------|--|
| THIS DRAWING CONTAINS INFORMATION THAT IS PROPRIETARY TO MOLEX ELECTRONIC TECHNOLOGIES, LLC AND SHOULD NOT BE USED WITHOUT WRITTEN PERMISSION | | | | | | | | | | | | | |
| DIMENSION UNITS | | SCALE | | CURRENT REV DESC: ADDED NOTE SHT2 | | | | | | | | | |
| mm | | 1:1 | | <p>2.5MM APPLI-MATE W/SIDE LATCHES (2.5 & 5MM TERM PITCH) ADDITION OF PART NUMBERS 91780-2513 & 9178</p> <p>PRODUCT CUSTOMER DRAWING</p> | | | | | | | | | |
| GENERAL TOLERANCES (UNLESS SPECIFIED) | | | | | | | | | | EC NO: 620565 | | 2019/07/12 | |
| ANGULAR TOL ± 0.5° | | | | | | | | | | DRWN: AKABADI | | 2019/07/15 | |
| 4 PLACES ± | | | | | | | | | | CHK'D: DRYAN | | 2019/07/15 | |
| 3 PLACES ± 0.1 | | | | APPR: DRYAN | | 2019/07/15 | | DOCUMENT NUMBER | | | | | |
| 2 PLACES ± 0.1 | | | | INITIAL REVISION: | | 2016/08/05 | | 917800001 | | | | | |
| 1 PLACE ± 0.2 | | | | DRWN: CFISHER01 | | 2016/10/13 | | DOC TYPE DOC PART REVISION | | | | | |
| 0 PLACES ± | | | | APPR: BRUTTLE | | 2016/10/13 | | PSD 000 AA | | | | | |
| DRAFT WHERE APPLICABLE MUST REMAIN WITHIN DIMENSIONS | | THIRD ANGLE PROJECTION | | DRAWING | | SERIES | | MATERIAL NUMBER | | | | | |
| | | | | A2-SIZE | | 91780 | | SEE CHARTS | | | | | |
| | | | | CUSTOMER | | GENERAL MARKET | | SHEET NUMBER | | | | | |
| | | | | | | | | 4 OF 5 | | | | | |

| 11 CIRCUIT | | | | | | |
|-------------|--------------|------------------------|-----------------------|---------------|------------------------|---------------|
| PART NUMBER | HOUSING USED | TERMINAL VOID POSITION | REMOVED POSITION KEYS | CONFIGURATION | POLARIZING RIB BETWEEN | COLOUR STRIPE |
| 91780-4001 | 94009-2711 | NONE | a l | | 1&2 9&10 | NONE |
| 91780-4002 | 94009-0411 | NONE | a l | | 4&5 | NONE |
| 91780-4003 | 94009-0211 | NONE | a l | | 2&3 | NONE |
| 91780-4004 | 94009-0211 | CCT 6, 7 | a l | | 2&3 | NONE |

| 12 CIRCUIT | | | | | | |
|-------------|-----------------|------------------------|-----------------------|---------------|------------------------|---------------|
| PART NUMBER | HOUSING USED | TERMINAL VOID POSITION | REMOVED POSITION KEYS | CONFIGURATION | POLARIZING RIB BETWEEN | COLOUR STRIPE |
| 91780-4501 | 94009-2812 | NONE | a m | | 1&2 10&11 | NONE |
| 91780-4502 | 94009-2812 | CCT 2 5 8 10 | a m | | 1&2 10&11 | NONE |
| 91780-4503 | 94009-0212 | NONE | a m | | 2&3 | NONE |
| 91780-4504 | 94009-0212 | CCT 2 5 8 10 | a m | | 2&3 | NONE |
| 91780-4505 | 94009-0212 | NONE | a m | | 2&3 | BLACK |
| 91780-4506 | 94009-1112 | NONE | a m | | 11&12 | NONE |
| 91780-4507 | 94009-0012 | NONE | a m | | NONE | NONE |
| 91780-4508 | 94007-0212 ZEUS | NONE | a m | | 2&3 | BLACK |

| 13 CIRCUIT | | | | | | |
|-------------|-----------------|------------------------|-----------------------|---------------|------------------------|---------------|
| PART NUMBER | HOUSING USED | TERMINAL VOID POSITION | REMOVED POSITION KEYS | CONFIGURATION | POLARIZING RIB BETWEEN | COLOUR STRIPE |
| 91780-5001 | 94009-2913 | NONE | a n | | 1&2 11&12 | NONE |
| 91780-5002 | 94009-0213 | NONE | a n | | 2&3 | NONE |
| 91780-5004 | 94009-0213 | CCT 7 9 12 | a n | | 2&3 | NONE |
| 91780-5005 | 94007-0213 ZEUS | NONE | a n | | 2&3 | NONE |

| 14 CIRCUIT | | | | | | |
|-------------|--------------|------------------------|-----------------------|---------------|------------------------|---------------|
| PART NUMBER | HOUSING USED | TERMINAL VOID POSITION | REMOVED POSITION KEYS | CONFIGURATION | POLARIZING RIB BETWEEN | COLOUR STRIPE |
| 91780-5501 | 94009-3014 | NONE | a o | | 1&2 12&13 | NONE |

| 15 CIRCUIT | | | | | | |
|-------------|--------------|------------------------|-----------------------|---------------|------------------------|---------------|
| PART NUMBER | HOUSING USED | TERMINAL VOID POSITION | REMOVED POSITION KEYS | CONFIGURATION | POLARIZING RIB BETWEEN | COLOUR STRIPE |
| 91780-6001 | 94009-3115 | NONE | a p | | 1&2 13&14 | NONE |
| 91780-6426 | 94009-3115 | CCT 2,4,6,8,10,12,14 | a p | | 1&2 13&14 | NONE |

| 16 CIRCUIT | | | | | | |
|-------------|--------------|------------------------|-----------------------|---------------|------------------------|---------------|
| PART NUMBER | HOUSING USED | TERMINAL VOID POSITION | REMOVED POSITION KEYS | CONFIGURATION | POLARIZING RIB BETWEEN | COLOUR STRIPE |
| 91780-6501 | 94009-3216 | NONE | a q | | 1&2 14&15 | NONE |

| 17 CIRCUIT | | | | | | |
|-------------|--------------|---------------------------|-----------------------|---------------|------------------------|---------------|
| PART NUMBER | HOUSING USED | TERMINAL VOID POSITION | REMOVED POSITION KEYS | CONFIGURATION | POLARIZING RIB BETWEEN | COLOUR STRIPE |
| 91780-7001 | 94009-3317 | NONE | a r | | 1&2 15&16 | NONE |
| 91780-7002 | 94009-6617 | CCT 2,4,5,6,8,10,12,14,16 | a r | | 3&4 15&16 | NONE |

| 18 CIRCUIT | | | | | | |
|-------------|--------------|------------------------|-----------------------|---------------|------------------------|---------------|
| PART NUMBER | HOUSING USED | TERMINAL VOID POSITION | REMOVED POSITION KEYS | CONFIGURATION | POLARIZING RIB BETWEEN | COLOUR STRIPE |
| 91780-7501 | 94009-3418 | NONE | a s | | 1&2 16&17 | NONE |

| 19 CIRCUIT | | | | | | |
|-------------|--------------|------------------------|-----------------------|---------------|------------------------|---------------|
| PART NUMBER | HOUSING USED | TERMINAL VOID POSITION | REMOVED POSITION KEYS | CONFIGURATION | POLARIZING RIB BETWEEN | COLOUR STRIPE |
| 91780-8001 | 94009-3519 | NONE | a t | | 1&2 17&18 | NONE |

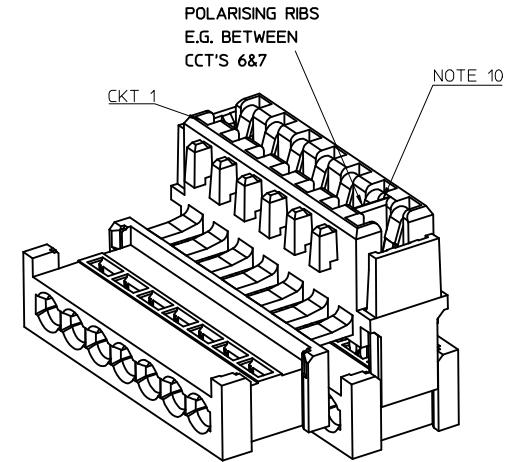
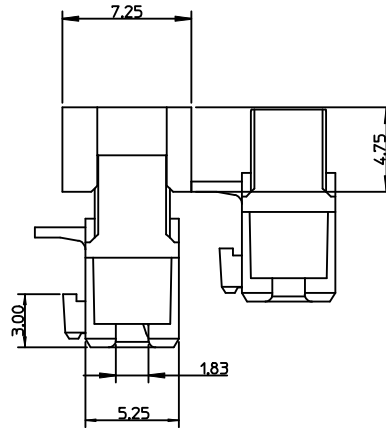
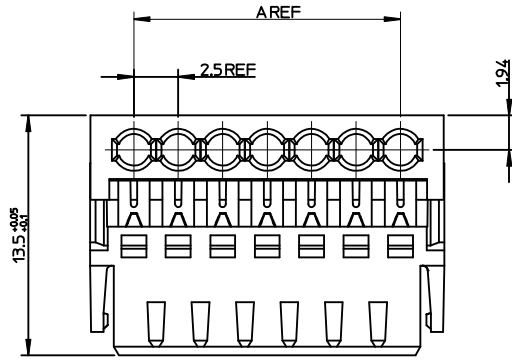
| 20 CIRCUIT | | | | | | |
|-------------|--------------|------------------------|-----------------------|---------------|------------------------|---------------|
| PART NUMBER | HOUSING USED | TERMINAL VOID POSITION | REMOVED POSITION KEYS | CONFIGURATION | POLARIZING RIB BETWEEN | COLOUR STRIPE |
| 91780-8501 | 94009-3620 | NONE | a u | | 1&2 18&19 | NONE |

NOTES

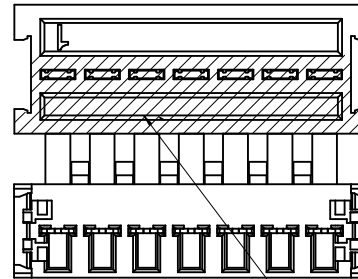
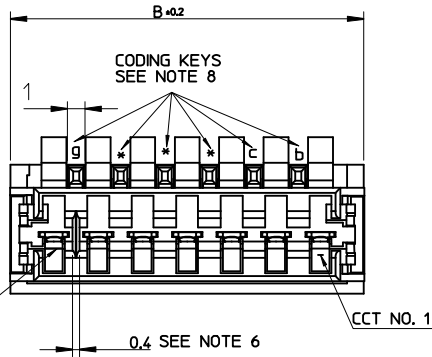
- + DENOTES TERMINAL VOIDED POSITION
- ⊕ DENOTES TERMINAL LOADED POSITION
- | DENOTES POLARIZING RIB POSITION
2. MOLEX HOUSING NO. FOR REFERENCE ONLY

THIS DRAWING CONTAINS INFORMATION THAT IS PROPRIETARY TO MOLEX ELECTRONIC TECHNOLOGIES, LLC AND SHOULD NOT BE USED WITHOUT WRITTEN PERMISSION

| | | | | | | | |
|--|--------|-----------------------------------|----------------------|---|-------|--------------|--|
| DIMENSION UNITS | SCALE | CURRENT REV DESC: ADDED NOTE SHT2 | | molex | | | |
| mm | 1:1 | | | | | | |
| GENERAL TOLERANCES (UNLESS SPECIFIED) | | | | 2.5MM APPLI-MATE W/SIDE LATCHES (2.5 & 5MM TERM PITCH) ADDITION OF PART NUMBERS 91780-2513 & 9178 | | | |
| ANGULAR TOL | ± 0.5° | EC NO: | 620565 | PRODUCT CUSTOMER DRAWING | | | |
| 4 PLACES | ± | DRWN: | AKABADI 2019/07/12 | DOCUMENT NUMBER | | | |
| 3 PLACES | ± 0.1 | CHK'D: | DRYAN 2019/07/15 | 917800001 | | | |
| 2 PLACES | ± 0.1 | APPR: | DRYAN 2019/07/15 | DOC TYPE DOC PART REVISION | | | |
| 1 PLACE | ± 0.2 | INITIAL REVISION: | | PSD 000 AA | | | |
| 0 PLACES | ± | DRWN: | CFISHER01 2016/08/05 | MATERIAL NUMBER | | | |
| DRAFT WHERE APPLICABLE MUST REMAIN WITHIN DIMENSIONS | | APPR: | BRUTTLE 2016/10/13 | SEE CHARTS | | CUSTOMER | |
| THIRD ANGLE PROJECTION | | DRAWING | A2-SIZE | SERIES | 91780 | SHEET NUMBER | |
| | | | | GENERAL MARKET | | 5 OF 5 | |

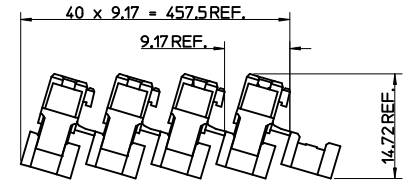


| CCT | DIM A | DIM B |
|-----|-------|--------|
| 3 | 5.0 | 9.875 |
| 4 | 7.5 | 12.375 |
| 5 | 10.0 | 14.875 |
| 6 | 12.5 | 17.375 |
| 7 | 15.0 | 19.875 |
| 8 | 17.5 | 22.375 |
| 9 | 20.0 | 24.875 |
| 10 | 22.5 | 27.375 |
| 11 | 25.0 | 29.875 |
| 12 | 27.5 | 32.375 |
| 13 | 30.0 | 34.875 |
| 14 | 32.5 | 37.375 |
| 15 | 35.0 | 39.875 |
| 16 | 37.5 | 42.375 |
| 17 | 40.0 | 44.875 |
| 18 | 42.5 | 47.375 |
| 19 | 45.0 | 49.875 |
| 20 | 47.5 | 52.375 |

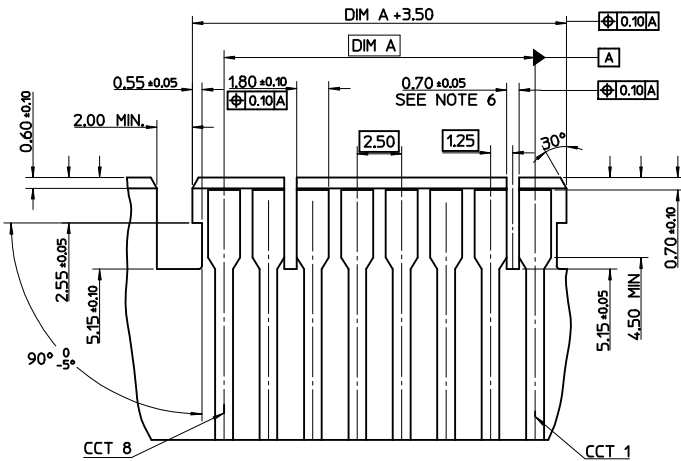


COLOR STRIPE TO BE WITHIN SHADED AREA (OPTIONAL) SEE NOTE 7.

- NOTES:
- MATERIAL: HOUSING - NYLON PA6 COLOUR: NATURAL
TERMINAL - COPPER ALLOY
 - PLATING: TIN
 - PRODUCT CONFORMS TO PRODUCT SPECIFICATION PS-92336-001
 - APPLICATION SPECIFICATION AS-99033-0008
 - SEE SUBSEQUENT SHEETS FOR PART NUMBERS
 - POLARISING RIBS ARE RECOMMENDED WITH THIS PRODUCT. SEE CONFIGURATIONS ON FOLLOWING SHEETS FOR OPTIONAL POLARISING RIB POSITION(S) FOR EACH CCT SIZE. RECOMMENDED: 3CCT TO 6 CCT HAVE ONE POLARISING RIB
7CCT TO 20 CCT HAS TWO POLARISING RIBS
 - COLOR STRIPE IS OPTIONAL. AVAILABLE IN THE FOLLOWING COLORS: BLACK, RED, BLUE, GREEN
 - NO CODING KEY "a", AS LATCH REPLACES FIRST AND LAST CODING KEY.
 - REFER TO PACKAGING SPECIFICATION: PK-90871-001
 - THE POSITIONAL RIB SLOT CAN BE PLACED BETWEEN ANY TWO CIRCUITS TO SUIT MATING CONNECTOR. ABOVE SKETCH SHOWS A PARTICULAR EXAMPLE



SHIPPING ARRANGEMENT



EXAMPLE OF PCB LAYOUT FOR THIS CONNECTOR SHOWN ABOVE
 - 8CCT WITH POLARISING RIB BETWEEN CCT 1&2 AND 6&7
 - RECOMMENDED PCB THICKNESS: 1.50±0.14mm

| | | | | | | | | |
|---|-------------------------------|--|---|---|---|---|------------------------|------------------------|
| ADDED NEW PART NUMBERS EC NO: IPG2014-1186 DRAWN: CMONAHAN 2014/01/07 CHKD: APPR: STGRUFFIN 2014/01/30 | QUALITY SYMBOLS ▽=0 ▽=0 | GENERAL TOLERANCES (UNLESS SPECIFIED) | | DIMENSION STYLE MM ONLY | | SCALE 5:1 | DESIGN UNITS METRIC | THIRD ANGLE PROJECTION |
| | | 4 PLACES ± --- ± --- 3 PLACES ± 0.10 ± --- 2 PLACES ± 0.10 ± --- 1 PLACE ± 0.2 ± --- ANGULAR ± 2 ° | mm INCH --- --- ± --- ± --- ± --- ± --- ± --- ± --- | DRAWN BY N. MCNAMA DATE 2004/09/07 | CHECKED BY J DENNEHY DATE 2004/09/08 | TITLE 2.5MM SIGNAL W/SIDE LATCHES (2.5 & 5MM TERM PITCH) | | MOLEX INCORPORATED |
| DRAFT WHERE APPLICABLE MUST REMAIN WITHIN DIMENSIONS | | APPROVED BY BMAGUIRE DATE 2011/04/19 | | MATERIAL NO. SEE SHEET 2-4 | | DOCUMENT NO. SD-92339-001 | SHEET NO. 1 OF 4 | |
| THIS DRAWING CONTAINS INFORMATION THAT IS PROPRIETARY TO MOLEX INCORPORATED AND SHOULD NOT BE USED WITHOUT WRITTEN PERMISSION | | | | | | | | |

2 CIRCUIT

| MOLEX PART NO. | HOUSING PART NO. | TERMINAL VOID POSITION | REMOVED POSITION KEYS | CONFIGURATION (SEE NOTE 1) | POLARIZING RIB BETWEEN | COLOUR STRIPE |
|----------------|------------------|------------------------|-----------------------|----------------------------|------------------------|---------------|
| 92339-9001 | 92340-0103 | CCT 2 | a d | | CCT 1&2 | NONE |
| 92339-9002 | 92340-0203 | CCT 2 | a d | | CCT 2&3 | NONE |
| 92339-9003 | 92340-0003 | CCT 2 | a d | | NONE | NONE |
| 92339-9004 | 92340-0103 | CCT 2 | a c d | | CCT 1&2 | RED |
| 92339-9005 | 92340-0103 | CCT 2 | a b d | | CCT 1&2 | GREEN |
| 92339-9006 | 92340-0203 | CCT 2 | a c d | | CCT 2&3 | BLUE |
| 92339-9007 | 92340-0203 | CCT 2 | a b d | | CCT 2&3 | BLACK |
| 92339-9008 | 92340-0103 | CCT 2 | a c d | | CCT 1&2 | NONE |
| 92339-9009 | 92340-0203 | CCT 2 | a c d | | CCT 2&3 | NONE |
| 92339-9010 | 92340-0203 | CCT 2 | a b d | | CCT 2&3 | NONE |
| 92339-9011 | 92340-0103 | CCT 2 | a b d | | CCT 1&2 | NONE |
| 92339-9013 | 92340-0103 | CCT 2 | a c d | | CCT 1&2 | BLUE |
| 92339-9014 | 92340-0203 | CCT 2 | a d | | CCT 2&3 | GREEN |
| 92339-9015 | 92340-0003 | CCT 2 | a c d | | NONE | RED |
| 92339-9016 | 92340-0003 | CCT 2 | a b d | | NONE | GREEN |

3 CIRCUIT

| MOLEX PART NO. | HOUSING PART NO. | TERMINAL VOID POSITION | REMOVED POSITION KEYS | CONFIGURATION (SEE NOTE 1) | POLARIZING RIB BETWEEN | COLOUR STRIPE |
|----------------|------------------|------------------------|-----------------------|----------------------------|------------------------|---------------|
| 92339-0001 | 92340-0103 | NONE | a d | | CCT 1&2 | NONE |
| 92339-0002 | 92340-0003 | NONE | a c d | | NONE | NONE |
| 92339-0003 | 92340-0203 | NONE | a d | | CCT 2&3 | NONE |
| 92339-0004 | 92340-0103 | NONE | a c d | | CCT 1&2 | NONE |
| 92339-0005 | 92340-0103 | NONE | a b d | | CCT 1&2 | NONE |
| 92339-0006 | 92340-0203 | NONE | a d | | CCT 2&3 | BLACK |
| 92339-0007 | 92340-0103 | NONE | a d | | CCT 1&2 | RED |
| 92339-0008 | 92340-0103 | CCT 2 | a d | | CCT 1&2 | GREEN |

4 CIRCUIT

| MOLEX PART NO. | HOUSING PART NO. | TERMINAL VOID POSITION | REMOVED POSITION KEYS | CONFIGURATION (SEE NOTE 1) | POLARIZING RIB BETWEEN | COLOUR STRIPE |
|----------------|------------------|------------------------|-----------------------|----------------------------|------------------------|---------------|
| 92339-0501 | 92340-0104 | NONE | a e | | CCT 1&2 | NONE |
| 92339-0502 | 92340-0004 | NONE | a e | | NONE | NONE |
| 92339-0503 | 92340-0004 | CCT 3 | a b e | | NONE | RED |
| 92339-0504 | 92340-0004 | NONE | a d e | | NONE | BLACK |
| 92339-0505 | 92340-0004 | NONE | a d e | | NONE | NONE |
| 92339-0506 | 92340-0004 | CCT 3 | a b e | | NONE | NONE |
| 92339-0507 | 92340-0104 | NONE | a e | | CCT 1&2 | BLACK |
| 92339-0508 | 92340-0004 | NONE | a e | | NONE | RED |
| 92339-0509 | 92340-0104 | NONE | a c e | | CCT 1&2 | NONE |
| 92339-0510 | 92340-0304 | NONE | a e | | CCT 3&4 | NONE |
| 92339-0511 | 92340-0004 | CCT 3 | NONE | | NONE | GREEN |

5 CIRCUIT

| MOLEX PART NO. | HOUSING PART NO. | TERMINAL VOID POSITION | REMOVED POSITION KEYS | CONFIGURATION (SEE NOTE 1) | POLARIZING RIB BETWEEN | COLOUR STRIPE |
|----------------|------------------|------------------------|-----------------------|----------------------------|------------------------|---------------|
| 92339-1001 | 92340-0205 | NONE | a f | | CCT 2&3 | NONE |
| 92339-1002 | 92340-0105 | NONE | a f | | CCT 1&2 | NONE |
| 92339-1003 | 92340-0205 | NONE | a f | | CCT 2&3 | BLACK |
| 92339-1004 | 92340-0105 | CCT 4 | a f | | CCT 1&2 | GREEN |
| 92339-1005 | 92340-0305 | NONE | a f | | CCT 3&4 | RED |
| 92339-1006 | 92340-0305 | CCT 2 | a f | | CCT 3&4 | BLUE |

- NOTES**
- 1. + DENOTES TERMINAL VOIDED POSITION
 - ⊕ DENOTES TERMINAL LOADED POSITION
 - | DENOTES POLARIZING RIB POSITION

| | | | | | | | |
|---|--|--|--|--------------|---|---|---|
| SEE SHEET 1 ELEC NO: IPC2014-186 G DRW: N.MCNAMEHAN 2014/01/07 CHKD: J.DENEHY 2014/01/30 APPR: ST. GRIFFIN 2014/01/30 | QUALITY SYMBOLS ▽=0 ▽=0 | GENERAL TOLERANCES (UNLESS SPECIFIED) mm INCH 4 PLACES ±.--- ±.--- 3 PLACES ±0.10 ±.--- 2 PLACES ±0.10 ±.--- 1 PLACE ±0.2 ±.--- ANGULAR ± 2° | DIMENSION STYLE MM ONLY | SCALE 1:1 | DESIGN UNITS METRIC | THIRD ANGLE PROJECTION | |
| | DRAWN BY DATE N.MCNAMEHA 2004/09/07 | | CHECKED BY DATE J.DENEHY 2004/09/08 | | APPROVED BY DATE BMAGUIRE 2011/04/19 | | TITLE 2.5MM SIGNAL W/SIDE LATCHES (2.5 & 5MM TERM PITCH) |
| | DRAFT WHERE APPLICABLE MUST REMAIN WITHIN DIMENSIONS | | | SEE CHARTS | | MOLEX INCORPORATED DOCUMENT NO. SD-92339-001 | |
| | MATERIAL NO. | | | | | | SHEET NO. 2 OF 4 |

THIS DRAWING CONTAINS INFORMATION THAT IS PROPRIETARY TO MOLEX INCORPORATED AND SHOULD NOT BE USED WITHOUT WRITTEN PERMISSION

| 6 CIRCUIT | | | | | | |
|----------------|------------------|------------------------|-----------------------|----------------------------|------------------------|---------------|
| MOLEX PART NO. | HOUSING PART NO. | TERMINAL VOID POSITION | REMOVED POSITION KEYS | CONFIGURATION (SEE NOTE 1) | POLARIZING RIB BETWEEN | COLOUR STRIPE |
| 92339-1501 | 92340-0206 | NONE | a g | | CCT 2&3 | NONE |
| 92339-1502 | 92340-0506 | NONE | a g | | CCT 5&6 | NONE |
| 92339-1503 | 92340-0206 | NONE | a g | | CCT 2&3 | BLACK |
| 92339-1504 | 92340-0206 | NONE | a g | | CCT 2&3 | BLUE |
| 92339-1505 | 92340-0106 | NONE | a g | | CCT 1&2 | NONE |
| 92339-1506 | 92340-0406 | NONE | a g | | CCT 4&5 | NONE |
| 92339-1507 | 92340-0006 | NONE | a g | | NONE | NONE |
| 92339-1508 | 92340-0406 | CCT 3, 5 | a g | | CCT 4&5 | GREEN |
| 92339-1509 | 92340-0406 | NONE | a g | | CCT 4&5 | RED |

| 7 CIRCUIT | | | | | | |
|----------------|------------------|------------------------|-----------------------|----------------------------|------------------------|---------------|
| MOLEX PART NO. | HOUSING PART NO. | TERMINAL VOID POSITION | REMOVED POSITION KEYS | CONFIGURATION (SEE NOTE 1) | POLARIZING RIB BETWEEN | COLOUR STRIPE |
| 92339-2001 | 92340-2307 | NONE | a h | | CCT 1&2 & CCT 5&6 | NONE |
| 92339-2002 | 92340-0107 | CCT 2 | a h | | CCT 1&2 | NONE |
| 92339-2003 | 92340-0207 | NONE | a h | | CCT 2&3 | BLACK |
| 92339-2004 | 92340-0507 | NONE | a h | | CCT 5&6 | NONE |
| 92339-2005 | 92340-0207 | CCT 2&4 | a h | | CCT 2&3 | NONE |

| 8 CIRCUIT | | | | | | |
|----------------|------------------|------------------------|-----------------------|----------------------------|------------------------|---------------|
| MOLEX PART NO. | HOUSING PART NO. | TERMINAL VOID POSITION | REMOVED POSITION KEYS | CONFIGURATION (SEE NOTE 1) | POLARIZING RIB BETWEEN | COLOUR STRIPE |
| 92339-2501 | 92340-2408 | NONE | a i | | CCT 1&2 & CCT 6&7 | NONE |
| 92339-2502 | 92340-2408 | CCT 2, 5 | a i | | CCT 1&2 & CCT 6&7 | NONE |
| 92339-2503 | 92340-2408 | CCT 2 | a i | | CCT 1&2 & CCT 6&7 | NONE |
| 92339-2504 | 92340-0208 | NONE | a i | | CCT 2&3 | NONE |
| 92339-2505 | 92340-0208 | CCT 2, 5 | a i | | CCT 2&3 | NONE |
| 92339-2506 | 92340-0108 | NONE | a i | | CCT 1&2 | NONE |
| 92339-2507 | 92340-0308 | NONE | a i | | CCT 3&4 | NONE |
| 92339-2508 | 92340-0308 | NONE | a i | | CCT 3&4 | RED |

NOTES
 1 + DENOTES TERMINAL VOIDED POSITION
 ⊕ DENOTES TERMINAL LOADED POSITION
 | DENOTES POLARIZING RIB POSITION

| | | | | | | |
|--|--|---|---|---|--------------|---|
| SEE SHEET 1 EC NO: IPG2014-1186 DRAWN BY: DRW:KONWAHAN CHKD: APPR:STRIFE IN 2014/01/30 | QUALITY SYMBOLS | GENERAL TOLERANCES (UNLESS SPECIFIED) | DIMENSION STYLE | SCALE | DESIGN UNITS | THIRD ANGLE PROJECTION |
| | ▽=0 | mm INCH | MM ONLY | 5:1 | METRIC | |
| | ▽=0 | 4 PLACES ± --- ± --- 3 PLACES ± 0.10 ± --- 2 PLACES ± 0.10 ± --- 1 PLACE ± 0.2 ± --- | DRAWN BY DATE N.MCNAMA 2004/09/07 | TITLE 2.5MM SIGNAL W/SIDE LATCHES (2.5 & 5MM TERM PITCH) | | |
| | | ANGULAR ± 2 ° | CHECKED BY DATE J.DENNEHY 2004/09/08 | MATERIAL NO. SD-92339-001 | | |
| | DRAFT WHERE APPLICABLE MUST REMAIN WITHIN DIMENSIONS | APPROVED BY DATE BMAGUIRE 2011/04/19 | MOLEX INCORPORATED | | | SHEET NO. 3 OF 4 |
| | | | SEE CHART | | | THIS DRAWING CONTAINS INFORMATION THAT IS PROPRIETARY TO MOLEX INCORPORATED AND SHOULD NOT BE USED WITHOUT WRITTEN PERMISSION |

9 CIRCUIT

| MOLEX PART NO. | HOUSING PART NO. | TERMINAL VOID POSITION | REMOVED POSITION KEYS | CONFIGURATION (SEE NOTE 1) | POLARIZING RIB BETWEEN | COLOUR STRIPE |
|--|------------------|------------------------|-----------------------|----------------------------|------------------------|---------------|
| 92339-3001 | 92340-2509 | NONE | a j | | CCT 1&2 & CCT 7&8 | NONE |
| 92339-3426 | 92340-2509 | CCT 2, 4, 6, 8 | a j | | CCT 1&2 & CCT 7&8 | NONE |
| 92339-3003 | 92340-0209 | CCT 2 | a j | | CCT 2&3 | GREEN |
| 92339-3004 | 92340-0209 | CCT 2, 4, 6 | a j | | CCT 2&3 | BLACK |
| 92339-3005 PART NUMBER OBSOLETE (NO GREY STRIPE AVAILABLE) | | | | | | |
| 92339-3006 | 92340-0209 | None | a j | | CCT 2&3 | BLACK |
| 92339-3007 | 92340-0209 | CCT 3, 5, 7 | a j | | CCT 2&3 | GREEN |
| 92339-3008 PART NUMBER OBSOLETE (NO GREY STRIPE AVAILABLE) | | | | | | |
| 92339-3009 | 92340-0209 | CCT 3, 5, 8 | a j | | CCT 2&3 | GREEN |
| 92339-3010 | 92340-0409 | CCT 3, 5, 7 | a j | | CCT 4&5 | RED |

12 CIRCUIT

| MOLEX PART NO. | HOUSING PART NO. | TERMINAL VOID POSITION | REMOVED POSITION KEYS | CONFIGURATION (SEE NOTE 1) | POLARIZING RIB BETWEEN | COLOUR STRIPE |
|----------------|------------------|------------------------|-----------------------|----------------------------|------------------------|---------------|
| 92339-4501 | 92340-2812 | NONE | a m | | CCT 1&2 & CCT 10&11 | NONE |
| 92339-4502 | 92340-2812 | CCT 2, 5, 8, 10 | a m | | CCT 1&2 & CCT 10&11 | NONE |
| 92339-4503 | 92340-0212 | NONE | a m | | CCT 2&3 | NONE |
| 92339-4504 | 92340-0212 | CCT 2, 5, 8, 10 | a m | | CCT 2&3 | NONE |
| 92339-4505 | 92340-0212 | NONE | a m | | CCT 2&3 | BLACK |
| 92339-4506 | 92340-1112 | NONE | a m | | CCT 11&12 | NONE |

14 CIRCUIT

| MOLEX PART NO. | HOUSING PART NO. | TERMINAL VOID POSITION | REMOVED POSITION KEYS | CONFIGURATION (SEE NOTE 1) | POLARIZING RIB BETWEEN | COLOUR STRIPE |
|----------------|------------------|------------------------|-----------------------|----------------------------|------------------------|---------------|
| 92339-5501 | 92340-3014 | NONE | a o | | CCT 1&2 & CCT 12&13 | NONE |

15 CIRCUIT

| MOLEX PART NO. | HOUSING PART NO. | TERMINAL VOID POSITION | REMOVED POSITION KEYS | CONFIGURATION (SEE NOTE 1) | POLARIZING RIB BETWEEN | COLOUR STRIPE |
|----------------|------------------|----------------------------|-----------------------|----------------------------|------------------------|---------------|
| 92339-6001 | 92340-3115 | NONE | a p | | CCT 1&2 & CCT 13&14 | NONE |
| 92339-6426 | 92340-3115 | CCT 2, 4, 6, 8, 10, 12, 14 | a p | | CCT 1&2 & CCT 13&14 | NONE |

16 CIRCUIT

| MOLEX PART NO. | HOUSING PART NO. | TERMINAL VOID POSITION | REMOVED POSITION KEYS | CONFIGURATION (SEE NOTE 1) | POLARIZING RIB BETWEEN | COLOUR STRIPE |
|----------------|------------------|------------------------|-----------------------|----------------------------|------------------------|---------------|
| 92339-6501 | 92340-3216 | NONE | a q | | CCT 1&2 & CCT 14&15 | NONE |

17 CIRCUIT

| MOLEX PART NO. | HOUSING PART NO. | TERMINAL VOID POSITION | REMOVED POSITION KEYS | CONFIGURATION (SEE NOTE 1) | POLARIZING RIB BETWEEN | COLOUR STRIPE |
|----------------|------------------|------------------------------------|-----------------------|----------------------------|------------------------|---------------|
| 92339-7001 | 92340-3317 | NONE | a r | | CCT 1&2 & CCT 15&16 | NONE |
| 92339-7002 | 92340-6617 | CCT 2, 4, 5, 6, 8, 10, 12, 14, 16, | a r | | CCT 3&4 & CCT 15&16 | NONE |

13 CIRCUIT

| MOLEX PART NO. | HOUSING PART NO. | TERMINAL VOID POSITION | REMOVED POSITION KEYS | CONFIGURATION (SEE NOTE 1) | POLARIZING RIB BETWEEN | COLOUR STRIPE |
|----------------|------------------|------------------------|-----------------------|----------------------------|------------------------|---------------|
| 92339-5001 | 92340-2913 | NONE | a n | | CCT 1&2 & CCT 11&12 | NONE |

18 CIRCUIT

| MOLEX PART NO. | HOUSING PART NO. | TERMINAL VOID POSITION | REMOVED POSITION KEYS | CONFIGURATION (SEE NOTE 1) | POLARIZING RIB BETWEEN | COLOUR STRIPE |
|----------------|------------------|------------------------|-----------------------|----------------------------|------------------------|---------------|
| 92339-7501 | 92340-3418 | NONE | a s | | CCT 1&2 & CCT 16&17 | NONE |

10 CIRCUIT

| MOLEX PART NO. | HOUSING PART NO. | TERMINAL VOID POSITION | REMOVED POSITION KEYS | CONFIGURATION (SEE NOTE 1) | POLARIZING RIB BETWEEN | COLOUR STRIPE |
|----------------|------------------|------------------------|-----------------------|----------------------------|------------------------|---------------|
| 92339-3501 | 92340-2610 | NONE | a k | | CCT 1&2 & CCT 8&9 | NONE |
| 92339-3502 | 92340-0910 | NONE | a k | | CCT 9&10 | RED |
| 92339-3503 | 92340-0910 | NONE | a k | | CCT 9&10 | NONE |
| 92339-3504 | 92340-0210 | NONE | a k | | CCT 2&3 | NONE |
| 92339-3505 | 92340-0210 | NONE | a k | | CCT 2&3 | BLACK |

19 CIRCUIT

| MOLEX PART NO. | HOUSING PART NO. | TERMINAL VOID POSITION | REMOVED POSITION KEYS | CONFIGURATION (SEE NOTE 1) | POLARIZING RIB BETWEEN | COLOUR STRIPE |
|----------------|------------------|------------------------|-----------------------|----------------------------|------------------------|---------------|
| 92339-8001 | 92340-3519 | NONE | a t | | CCT 1&2 & CCT 17&18 | NONE |

20 CIRCUIT

| MOLEX PART NO. | HOUSING PART NO. | TERMINAL VOID POSITION | REMOVED POSITION KEYS | CONFIGURATION (SEE NOTE 1) | POLARIZING RIB BETWEEN | COLOUR STRIPE |
|----------------|------------------|------------------------|-----------------------|----------------------------|------------------------|---------------|
| 92339-8501 | 92340-3620 | NONE | a u | | CCT 1&2 & CCT 18&19 | NONE |

11 CIRCUIT

| MOLEX PART NO. | HOUSING PART NO. | TERMINAL VOID POSITION | REMOVED POSITION KEYS | CONFIGURATION (SEE NOTE 1) | POLARIZING RIB BETWEEN | COLOUR STRIPE |
|----------------|------------------|------------------------|-----------------------|----------------------------|------------------------|---------------|
| 92339-4001 | 92340-2711 | NONE | a l | | CCT 1&2 & CCT 9&10 | NONE |

- NOTES**
- 1 + DENOTES TERMINAL VOIDED POSITION
 - ⊙ DENOTES TERMINAL LOADED POSITION
 - | DENOTES POLARIZING RIB POSITION

| | | | | | |
|--|---|--|---|--|---|
| SEE SHEET 1 IEC NO: IFC2014-1186 G DRWINGKONWANH CHKD: APPR:STGRIFFIN REV | QUALITY SYMBOLS | GENERAL TOLERANCES (UNLESS SPECIFIED): mm INCH 4 PLACES ± --- ± --- 3 PLACES ± 0.10 ± --- 2 PLACES ± 0.10 ± --- 1 PLACE ± 0.2 ± --- ANGULAR ± 2° | DIMENSION STYLE MM ONLY DRAWN BY DATE N. MCNAMA 2004/09/07 CHECKED BY DATE J DENNEHY 2004/09/08 APPROVED BY DATE BMAGUIRE 2011/04/19 | SCALE 1:1 DESIGN UNITS METRIC THIRD ANGLE PROJECTION | TITLE 2.5MM SIGNAL W/SIDE LATCHES (2.5 & 5MM TERM PITCH) MOLEX INCORPORATED SHEET NO. 4 OF 4 |
| | DRAFT WHERE APPLICABLE MUST REMAIN WITHIN DIMENSIONS | SEE CHARTS | MATERIAL NO. | DOCUMENT NO. | SD-92339-001 |
| | THIS DRAWING CONTAINS INFORMATION THAT IS PROPRIETARY TO MOLEX INCORPORATED AND SHOULD NOT BE USED WITHOUT WRITTEN PERMISSION | | | | |
| | | | | | |