

THIS DRAWING IS UNPUBLISHED. VERTRÄULICHE UNVERÖFFENTLICHTE ZEICHNUNG. RELEASED FOR PUBLICATION FREI FUER VERÖFFENTLICHUNG. 2014. MATED WITH: PASSEND ZU: COPYRIGHT 2014 Tyco Electronics AMP GmbH. ALL RIGHTS RESERVED. ALLE RECHTE VORBEHALTEN.

PROJEKT NR.: PRJ-14-00000805

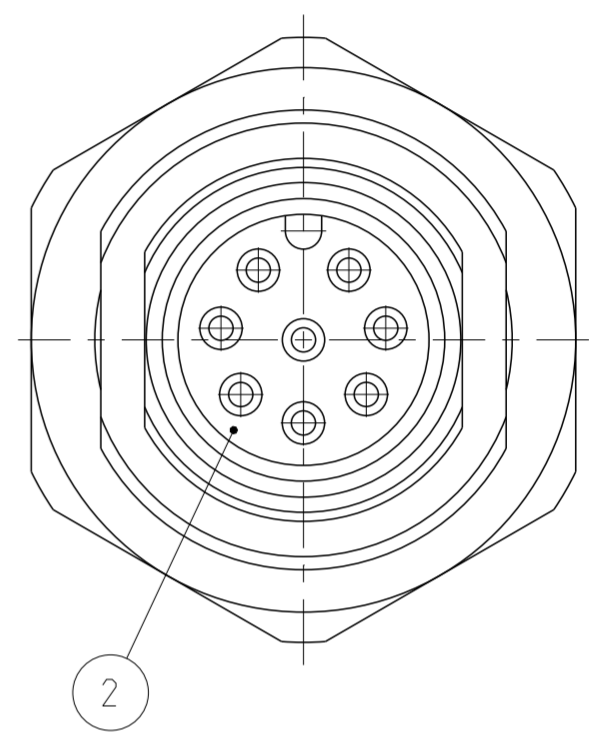
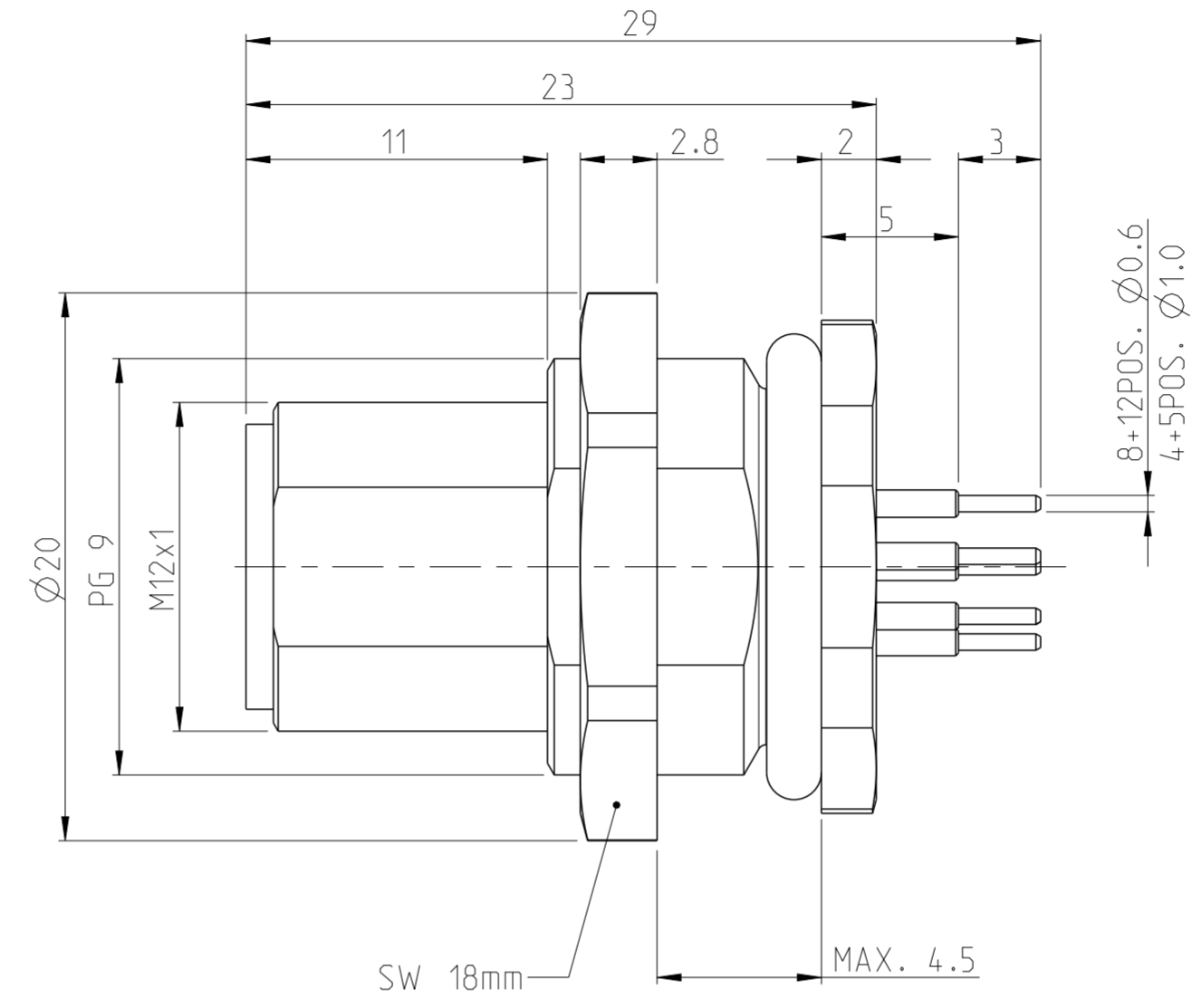
P	LTR	DESCRIPTION / BESCHREIBUNG	DATE	DWN	APVD
	A2	ADDED PCB LAYOUT IN DRAWING	20AUG2014	YR	MB

1 MATERIAL: ITEM NO. 1: HOUSING - ZINC DIECASTING, NICKEL PLATED
 ITEM NO. 2: CONTACT BODY - PA
 ITEM NO. 3: CONTACT - CuZn (brass)
 CONTACT FINISH - Au (gold)

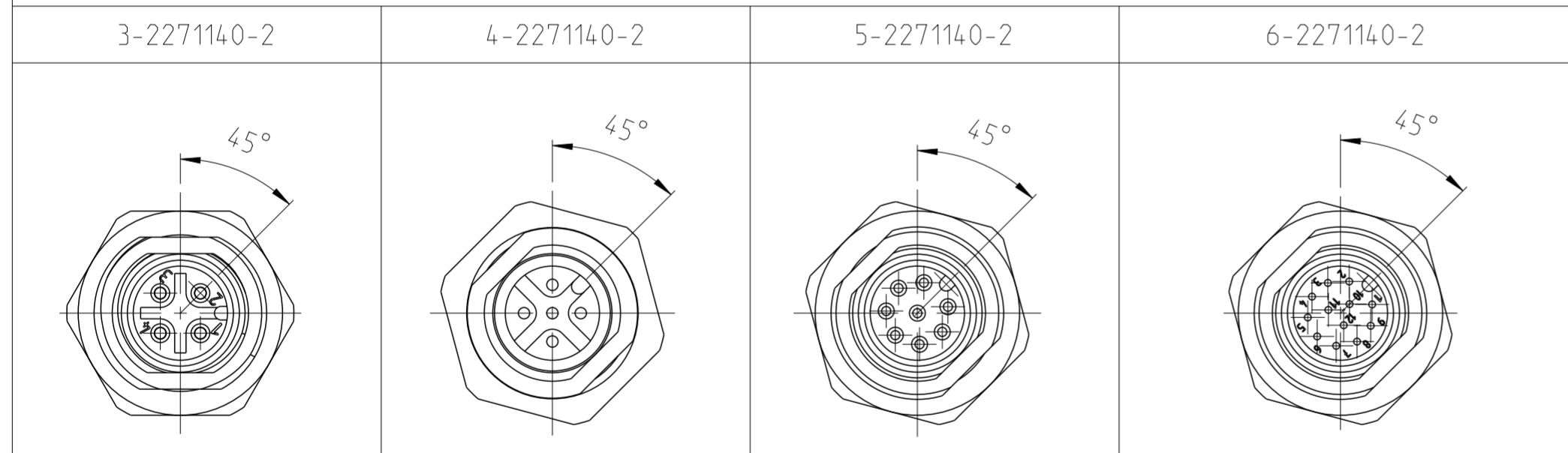
2 ALL DIMENSIONS ARE FOR NOMINAL REFERENCE ONLY UNLESS OTHERWISE STATED

3 PACKAGING: 20 PIECE IN A BAG

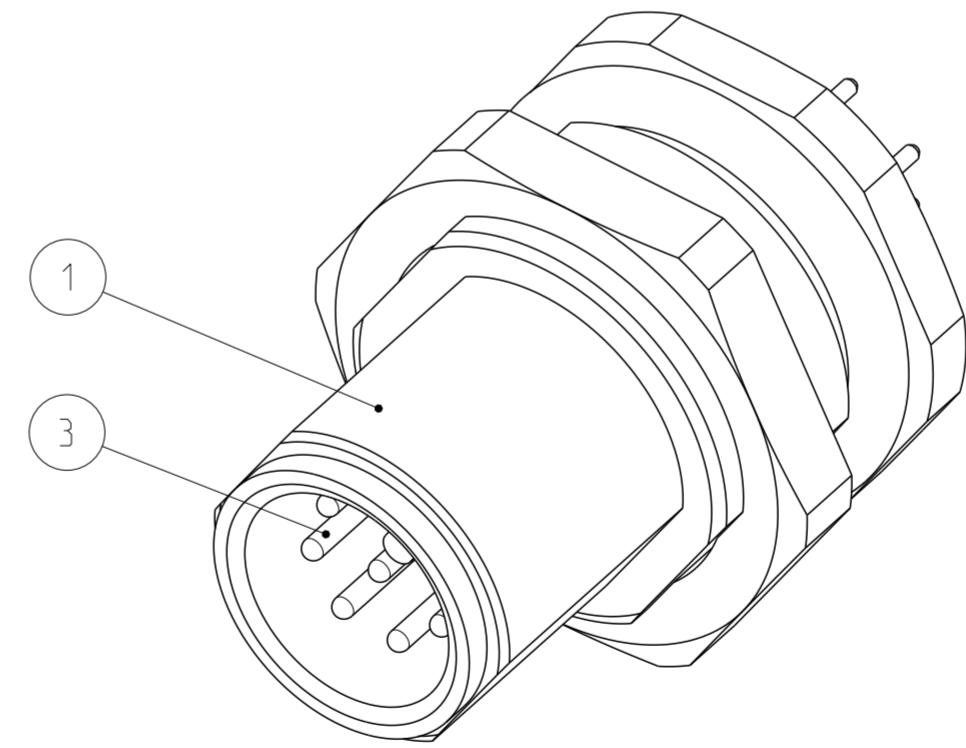
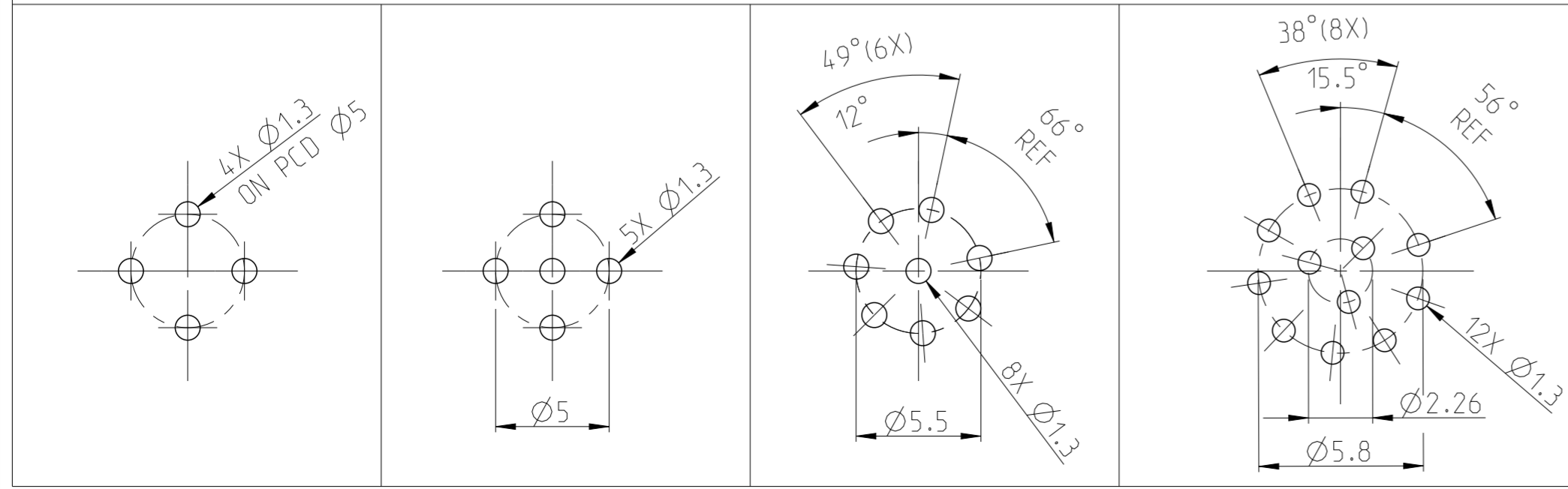
TECHNICAL DATA	3-2271140-2	4-2271140-2	5-2271140-2	6-2271140-2
RATED VOLTAGE	250V	125V	60V	30V
RATED IMPULSE VOLTAGE	2500V	1500V	800V	500V
POLLUTION DEGREE	3	3	3	3
OVERVOLTAGE CATEGORY	II	II	II	II
MATERIAL GROUP	II	II	II	II
RATED CURRENT	4A	4A	2A	2A
VOLUME RESISTIVITY	≤ 3mΩ	≤ 3mΩ	≤ 3mΩ	≤ 3mΩ
DEGREE OF PROTECTION	IP68	IP68	IP68	IP68
UPPER TEMPERATURE	+85 °C	+85 °C	+85 °C	+85 °C
LOWER TEMPERATURE	-40 °C	-40 °C	-40 °C	-40 °C



PIN ARRANGEMENT A-CODING (SCALE 2:1)



PCB LAYOUT



5-2 AS SHOWN WIE GEZEICHNET

WIRES AWG / mm ²	MATERIAL	NUMBER OF POLES	TE-PART-NO.
26 / 0.14mm ²	⚠	12	6-2271140-2
24 / 0.25mm ²	⚠	8	5-2271140-2
24 / 0.25mm ²	⚠	5	4-2271140-2
24 / 0.25mm ²	⚠	4	3-2271140-2

SIZE ISO 14405 (E)

DIESE ZEICHNUNG IST EIN KONTROLLIERTES DOKUMENT. BEMASSUNGEN UND TOLERANZEN GEMAESS GPS (ISO STANDARDS). THIS DRAWING IS A CONTROLLED DOCUMENT. DIMENSIONING AND TOLERANCING PER GPS (ISO STANDARDS).

DWN YASHKUMAR 15MAY2014
 CHK M.SIRELOW 15MAY2014
 APVD C.SCHRETLINGER 15MAY2014

NAME M12 RECEPTACLE, MALE, PCB MOUNT, PANEL REAR, STRAIGHT, A-CODED

SIZE A2 CAGE CODE 00779 DRAWING NO. C-2271140

Customer Drawing /KUNDENZEICHNUNG SCALE MASSSTAB 4:1 SHEET BLATT 1 OF VON 1 REV A2