

NOTES

- All dimensions are in $\frac{\text{Inches}}{\text{(millimeters)}}$
- Dimensions appearing in table are as follows:
a - AS SUPPLIED b - AFTER UNRESTRICTED RECOVERY
- Coating is optional. As supplied dimensions appearing in table are for uncoated parts. When coating is added, entry diameters will be reduced .06 max.
- Molding ports are optional. When specified, by -00 modification number, they will be located as shown. A plug and riser will be supplied with each part.

If this document is printed it becomes uncontrolled.
Check for the latest revision.

ORDERING INFORMATION

Matl. No.	Description	Raychem RT Spec
-3	Polyolefin, Semi-Rigid	RT-301
-4	Polyolefin, Flexible	RT-1304
-5	Elastomer, Flexible	RT-501
-25	Elastomer, Semi-Rigid	RT-1325
/42	Adhesive, S-1017 (for -3, -4 and -5 material only)	

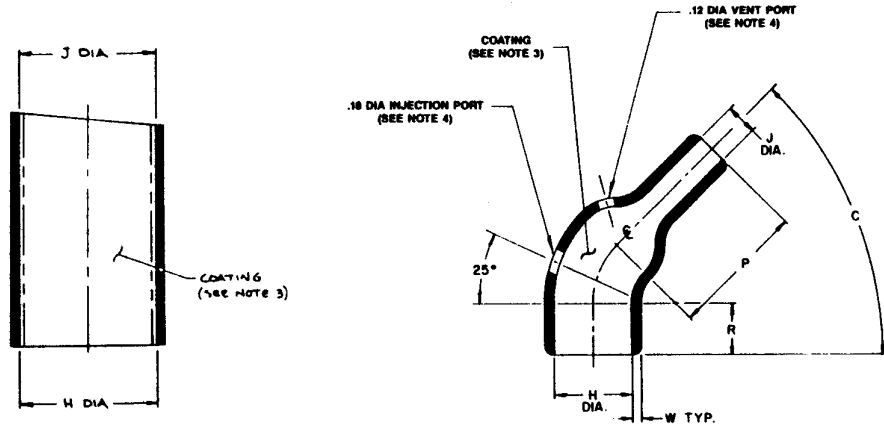
Add material number as suffix to part number;

Example 1 - Order 242A142-3 when polyolefin, semi-rigid is required.

Add coating slash number as suffix to material dash number or modification number when coating is required.

Example 2 - Order 242A142-X/42 or 242A142-X-00/42 when S-1017 adhesive is required.

Example 3 - Order 242A142-X-00 when molding ports are required.



AS SUPPLIED

AFTER UNRESTRICTED RECOVERY

TABLE OF DIMENSIONS

PART NUMBER	H		J		P	R	W	C		This Boot Fits MIL-C-5015 Shell Size	This Boot Fits MIL-C-26482 Shell Size	
	Min a	Max b	-3, -4, -25 Min a	-5 Min a				±10° a	±5° b			
242A142	$\frac{1.22}{[31,0]}$	$\frac{.70}{[17,8]}$	$\frac{1.22}{[31,0]}$	$\frac{.76}{[19,3]}$	$\frac{.28}{[7,1]}$	$\frac{1.04}{[26,4]}$	$\frac{.32}{[8,1]}$	$\frac{.07}{[1,78]}$	90	45	14	12, 14

Raychem

Raychem Corporation
300 Constitution Drive
Menlo Park, CA 94025-1164
(415) 361 6055

E.O.	REV	DATE	DESCRIPTION
HOP	A	9/87	RETYPE
SLJ	B	2/83	R WAS .38
SLJ	C	6/88	ADD -4, -5, -25 & S-1017
SLJ	D	2/89	ADD "AS SUPPLIED" VIEW

DRN	DD
CHK'D	KT
AUTH	RW
AUTH	HP

PART DESCRIPTION
BOOT, 45°

PART NO.	REV LTR
242A142	D
DATE	FEBRUARY 27, 1989