

MFG. ENG. APPROVED BY: DATE: QA APPROVED BY: DATE:

PART NUMBER SYSTEM

W 4 X 8 X - X PG -P- 3 XX

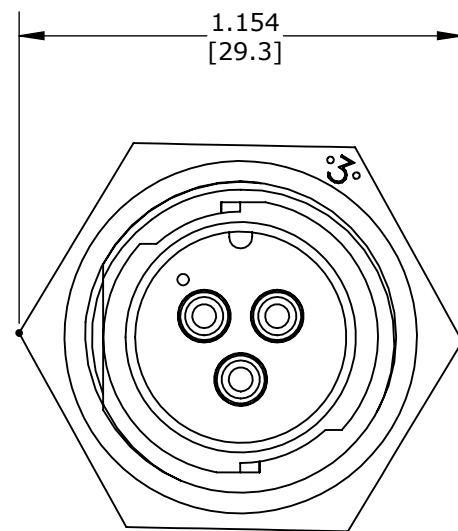
CONTACT SIZES  
 1' - SIZE #12  
 2' - SIZE #20  
 3' - SIZE #16

CONTACTS STYLE  
 0' - CRIMP  
 1' - SOLDER  
 2' - PC TAIL

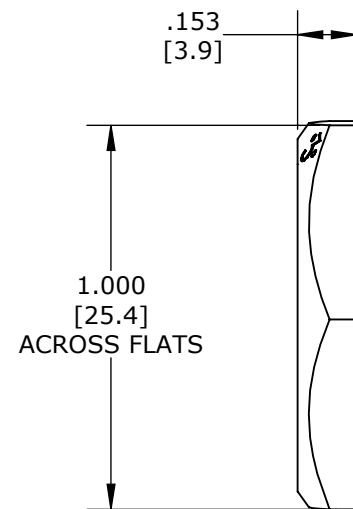
ES - EPOXY FILLED  
 00 - NO EPOXY

CONTACTS POSITIONS  
 POSITION 2, 3 & 4 (AVAILABLE IN SIZE #12)  
 POSITION 4, 5 & 6 (AVAILABLE IN SIZE #16)  
 POSOTION 4,5,6,7,8,9,10,11&12 (AVAILABLE IN SIZE #20)

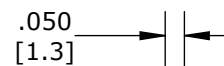
- NOTES:
1. ALL PARTS TO BE BULK PACKED UNLESS NOTED.
  2. INSTA CLICK PANEL MOUNT ASSEMBLY IS SUPPLIED WITH CONTACTS INSERTED INTO THE CONNECTOR. ACCEPTS WIRE 12, 14 AND 16 AWG.
  3. ALL DIMENSIONS ARE REFERENCED IN INCHES [MM], WITHIN ± 0.015 UNLESS NOTED.



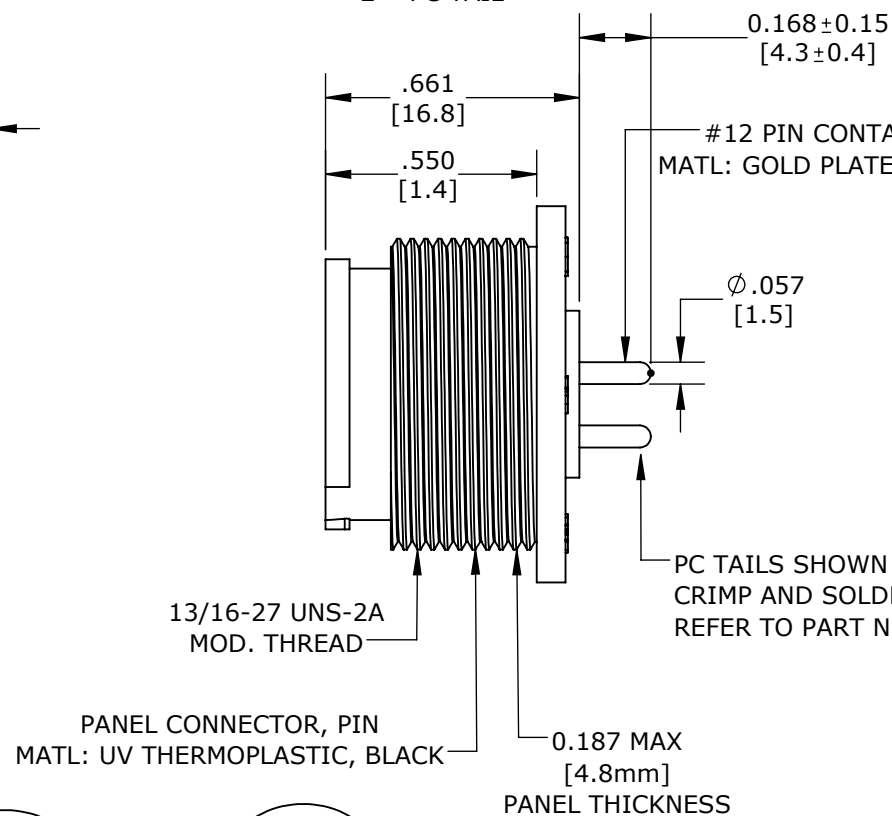
FACE VIEW  
 W4181-3PG-P-300  
 3 #12 CONTACT STYLE IS SHOWN



HEX NUT  
 MATL: UV THERMOPLASTIC, BLACK



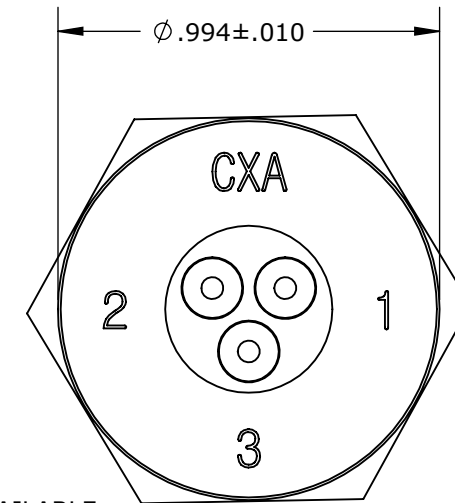
WASHER GASKET  
 MATL: RUBBER, BLACK



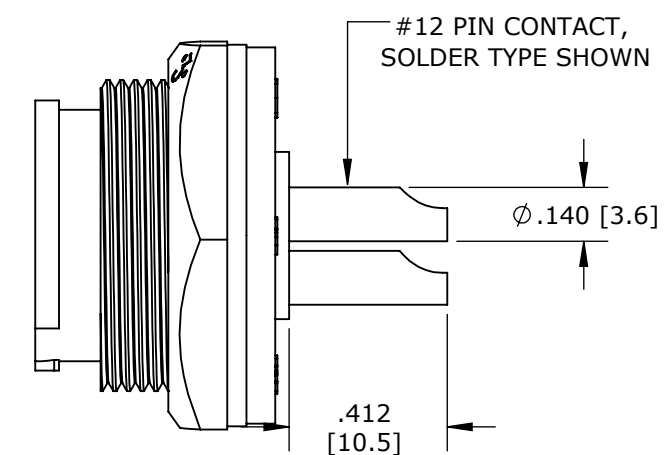
PANEL CONNECTOR, PIN  
 MATL: UV THERMOPLASTIC, BLACK

#12 PIN CONTACTS, PC TAIL  
 MATL: GOLD PLATED COPPER ALLOY

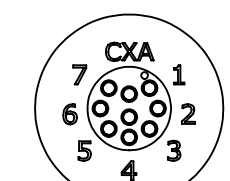
PC TAILS SHOWN HERE.  
 CRIMP AND SOLDER VERSIONS AVAILABLE  
 REFER TO PART NUMBER SYSTEM



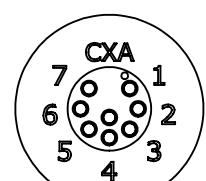
WIRE VIEW  
 W4181-3PG-P-300  
 3 #12 CONTACT STYLE IS SHOWN



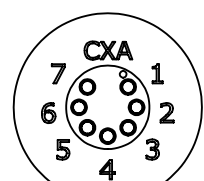
SIDE VIEW SHOWN  
 W4182-3PG-P-300



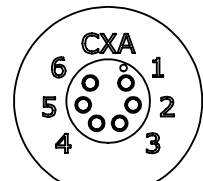
WIRE VIEW  
 W4281-9PG-P-300



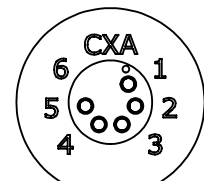
WIRE VIEW  
 W4281-8PG-P-300



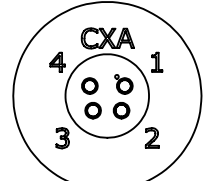
WIRE VIEW  
 W4281-7PG-P-300



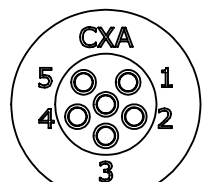
WIRE VIEW  
 W4281-6PG-P-300



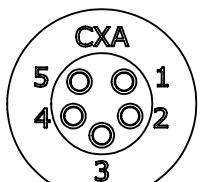
WIRE VIEW  
 W4281-5PG-P-300



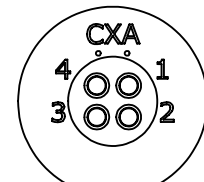
WIRE VIEW  
 W4281-4PG-P-300



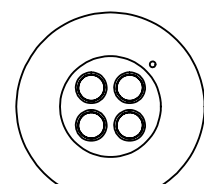
WIRE VIEW  
 W4381-6PG-P-300



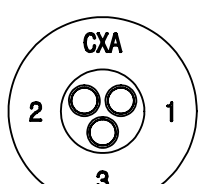
WIRE VIEW  
 W4381-5PG-P-300



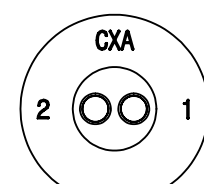
WIRE VIEW  
 W4381-4PG-P-300



WIRE VIEW  
 W4182-4PG-P-300



WIRE VIEW  
 W4182-3PG-P-300



WIRE VIEW  
 W4182-2PG-P-300

CUSTOMER APPROVAL

THIS DOCUMENT CONTAINS CONFIDENTIAL INFORMATION PROPRIETARY TO CONXALL CORPORATION. ANY REPRODUCTION, DISCLOSURE, OR USE OF THIS DOCUMENT /INFORMATION IS EXPRESSLY PROHIBITED UNLESS AUTHORIZED IN WRITING BY CONXALL CORPORATION.

APPROVED BY: \_\_\_\_\_  
 DATE: \_\_\_\_\_

RoHS COMPLIANT

0A	AM	03/02/22	CUSTOMER DRAWING
REV.	INIT.	DATE	DESCRIPTION
			ORIG. DRAWN BY: AM DATE: 03/02/22
ALL INFORMATION ILLUSTRATED IS THE PROPERTY OF CONXALL CORPORATION. UNAUTHORIZED DUPLICATION OR DISTRIBUTION OF THIS DOCUMENT IS PROHIBITED.			 601 E. WILDWOOD VILLA PARK, IL 60181
ALL UNITS ARE IN FEET, INCHES, FRACTION OF INCHES AND DECIMALS. UNLESS OTHERWISE SPECIFIED TOLERANCES: 3 PLACE DECIMALS ±.005 ANGLES ±1° FRACTIONS ±1/16			
APPROVED BY: _____			TITLE: PANEL CONNECTOR ASSEMBLY (2-4) #12, (4-6) #16, (4-12) #20 PIN CONTACTS MULTI CONX INSTA CLICK STANDARD PRODUCT
SCALE	SIZE	SHEET	CUSTOMER:
NTS	B	1 OF 1	W4X8X-XPG-P-3XX
FILE:	DIRECTORY:	PART NUMBER:	REV
FILE NAME	SLW		0A

CUSTOMER PRINT

PART NUMBER: W4X8X-XPG-P-3XX